






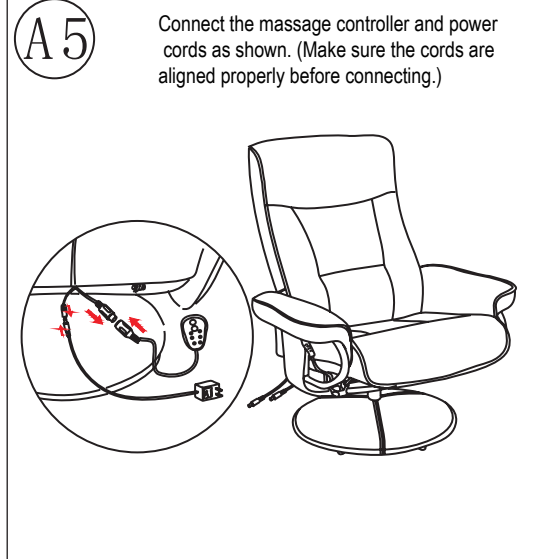
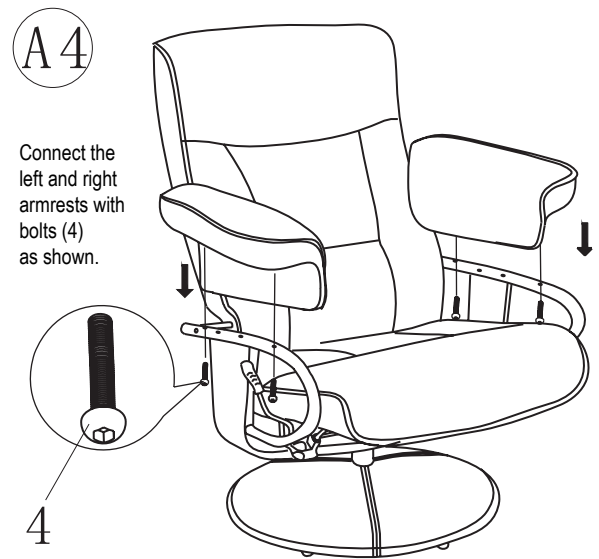
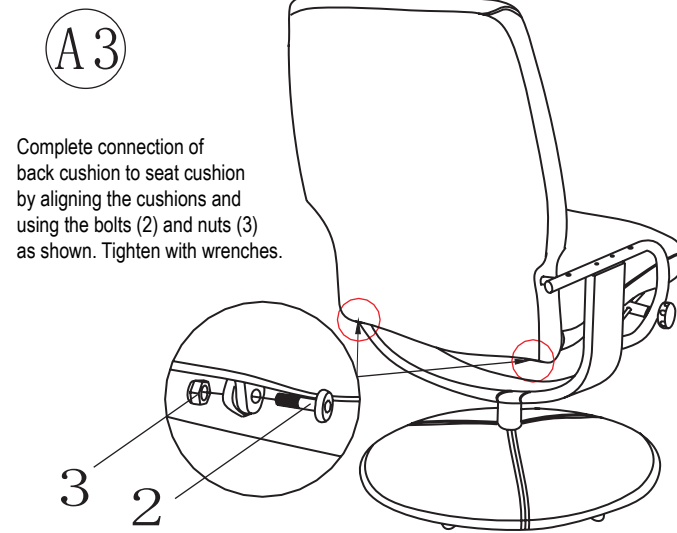
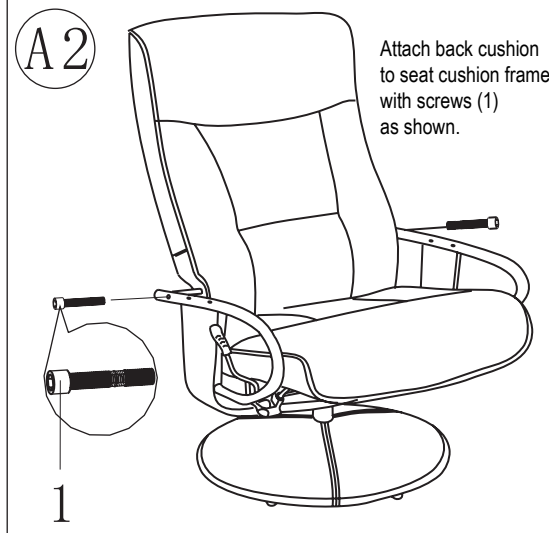
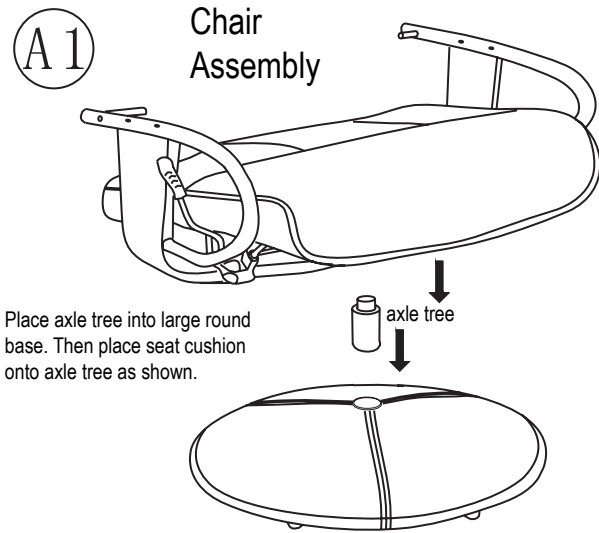


# Model 60-42511105

		QTY	
1	M8X60mm	2	
2	M8X25mm	2	
3	M8	2	
4	M6X40mm	4	
5	M6X20mm	4	
6	13mm	1	
7	6&8mm wrench	2	



- WARNIN G**
1. Do not stand on this chair, do not use this chair as a step ladder.
  2. Use this product only for seating one person at one time.
  3. Do not use this chair unless all bolts, screws and knobs are firmly secured.
  4. Failure to follow these warnings could result in serious injury.

## LIMITED WARRANTY

Comfort Products warrants this product to be free from defects in material and workmanship for 1 year. This warranty is made by Comfort Products only to the original end-user customer acquiring the product directly from Comfort Products' authorized dealers as shown by the original sales receipt. The end-user customer remedy pursuant to this warranty is limited to repair or replacement of parts at Comfort Products' option within a reasonable amount of time. Comfort Products reserves the right to require damaged parts to be returned to Comfort Products upon request. Natural markings such as scars, brands, grain, variations, wrinkles, color variations, etc. will be considered normal characteristics, and not construed as defects. Comfort Products cannot warrant leather against scratching or scuffing, as all leather is subject to blemishes with use. Consent from Comfort Products must be obtained before any warranty work is performed. This warranty shall not apply to any products which must be replaced because of normal wear and tear, negligence, abuse, or "accident", shipping damage or product use and installation other than in accordance with written instructions or warnings. It will also not apply when a product has been modified or altered, repaired, refurbished by someone other than Comfort Products or because of natural variations over which Comfort Products has no control. When repairing or replacing a defective product, Comfort Products does not guarantee matching color, grain, texture or dye lots. This warranty does not cover the cost of transportation or labor. In no event shall Comfort Products be liable in either tort or contract for any loss or direct, special, incidental, consequential or exemplary damages. This Limited Warranty is NOT applicable to end-user customers who use Comfort Products for rental purposes. This warranty applies only to end-user customers in the United States. All warranties are limited to the original purchaser for normal use which is defined as a standard work week of 40 hours by a person weighing 225 lbs. or less (unless otherwise specified). For claims or questions concerning this warranty, please visit:  
[www.comfortproducts.net/support](http://www.comfortproducts.net/support).  
 e-mail [customerservice@comfortproducts.net](mailto:customerservice@comfortproducts.net).  
 MODEL: 60-42511105

**Comfort Products, Inc.**  
**P.O. Box 999**  
**Memphis, TN 38101**  
**e-mail: [customerservice@comfortproducts.net](mailto:customerservice@comfortproducts.net)**  
**[www.comfortproducts.net](http://www.comfortproducts.net)**

## REPLACEMENT PARTS

if you are missing any of the parts above, or if you have a damaged part, please visit [www.comfortproducts.net/support](http://www.comfortproducts.net/support).

Simply Complete the information, and the part you need. The part will normally ship within 48 hours.

Chair weight capacity: 225 lbs.