



A WATTS® Brand

INSTALLATION, OPERATION AND MAINTENANCE MANUAL

Save manual for future reference

2-Stage Under Counter Filtration System Model: WP-2 LCV



IMPORTANT

If you are unsure about installing your WATTS water filter, contact a WATTS representative or consult a professional plumber.

CAUTION

Discard small parts remaining after the installation.

NOTICE

Failure to install the system correctly voids the warranty.
Handle all components of the system with care. Do not drop, drag or turn components upside down.
Be sure the floor under the water filter system is clean, level and strong enough to support the unit.

WARNING



Please read carefully before proceeding with installation. Your failure to follow any attached instructions or operating parameters may lead to the product's failure.
Keep this Manual for future reference.



WARNING

Do not use with water that is microbiologically unsafe or of unknown quality without adequate disinfection before or after the system.

Refer to enclosed warranty for operating parameters to ensure proper use with your water supply.

Watts Premier
www.premierh2o.com

8716 W Ludlow Drive Suite #1
Peoria, AZ 85381

USA: Tel. (800) 752-5582
Canada: Tel. (905) 332-4090

Overview

Thank you for your purchase of a state of the art Water Treatment system.

The Premier WP-2 LCV water treatment system contains a heavy duty lead, cyst, and VOC reducing carbon block filter. This specialty formulated block is capable of reducing lead, cysts as well as harmful Chemicals. It is estimated that VOC's are present in one-fifth of the nation's water supplies. These water contaminants can enter ground water from a variety of sources including localized use of herbicides and pesticides, gasoline or oil spills, leaking underground fuel tanks, septic system cleaners, and chemicals used in the dry-cleaning industry. See performance data sheet for individual contaminants and reduction performance.

System Maintenance

Just because you can not taste it, does not mean that it is not there. Many contaminants in the drinking water are undetectable to the taste. Additionally, over time if you do not replace the filter elements, other bad tastes and odors will be apparent in your drinking water. This is why it is important to change your filters at the recommended intervals as indicated in this system manual.

When replacing any of the filter elements, pay special attention to any cleaning instructions. Should you have any further questions please refer to our web site at www.PremierH2o.com or call our customer service department at 1-800-752-5582.

Table of Contents

Overview	3
System Maintenance	3
BEFORE INSTALLATION	
Operational Parameters	5
Contents of Filter System.....	5
Tools Recommended For Installation	5
Using Quick-Connect Fittings.....	6
System Diagram	7
INSTALLATION	
Drill a Hole for the Faucet in a Porcelain Sink.....	8
Or Punch a Hole for the Faucet in a Stainless Steel Sink	8
Faucet Installation	9
Adapt-a-Valve Installation.....	10
Green Tube Connection	10
OPERATION	
Start up Instructions	11
Warranty Registration	11
MAINTENANCE	
Filter Change	12
Troubleshooting.....	12
Service Record	13
Limited Warranty	14

Operational Parameters

NOTICE Installation must comply with state and local plumbing regulations.

NOTICE Do not use with water that is microbiologically unsafe or of unknown quality, without adequate disinfection before or after the system.

	Maximum	Minimum
Operating Temperature:	100°F (37.8°C)	40° F (4.4°C)
Operating Pressure:	85 psi (5.98 g/cm ²)	20 psi (1.40 kg/cm ²)
pH Parameters:	10	5
Flow Rate:	0.5 gpm @ 60 psi	

Contents of Filter System

Please make sure all of the items listed below are contained in the box. If any of the items are missing please contact Watts Premier at 800-752-5582 prior to installing.

- WP-2 Filtration System (with filters installed)
- Parts Bag
- Faucet Box (with faucet parts bag inside)

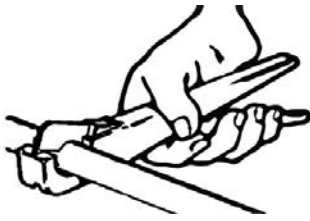
Tools Recommended For Installation

- Small knife
- Variable speed drill with Phillips bit
- 1/8" (3mm), 1/4" (6.4 mm) and 7/16" (11.0mm) drill bits
- 1/2" Diamond Tip Drill bit (for porcelain sinks)
- 1/2" hole punch (for stainless steel sinks)
- Phillips screwdriver



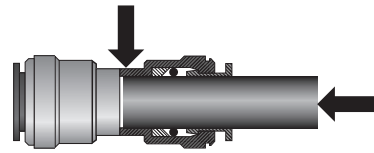
Using Quick-Connect Fittings

Cutting



Cut the tube square. It is essential that the outside diameter be free of score marks and that burrs and sharp edges be removed before inserting into fitting.

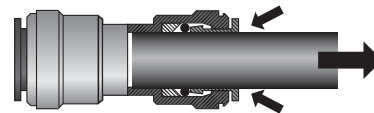
Connecting



Make certain to push the tubing completely into the connector until it comes into contact with the internal tubing stop. The collet (gripper) has stainless steel teeth which hold the tube firmly in position while the O-ring provides a permanent leak proof seal.

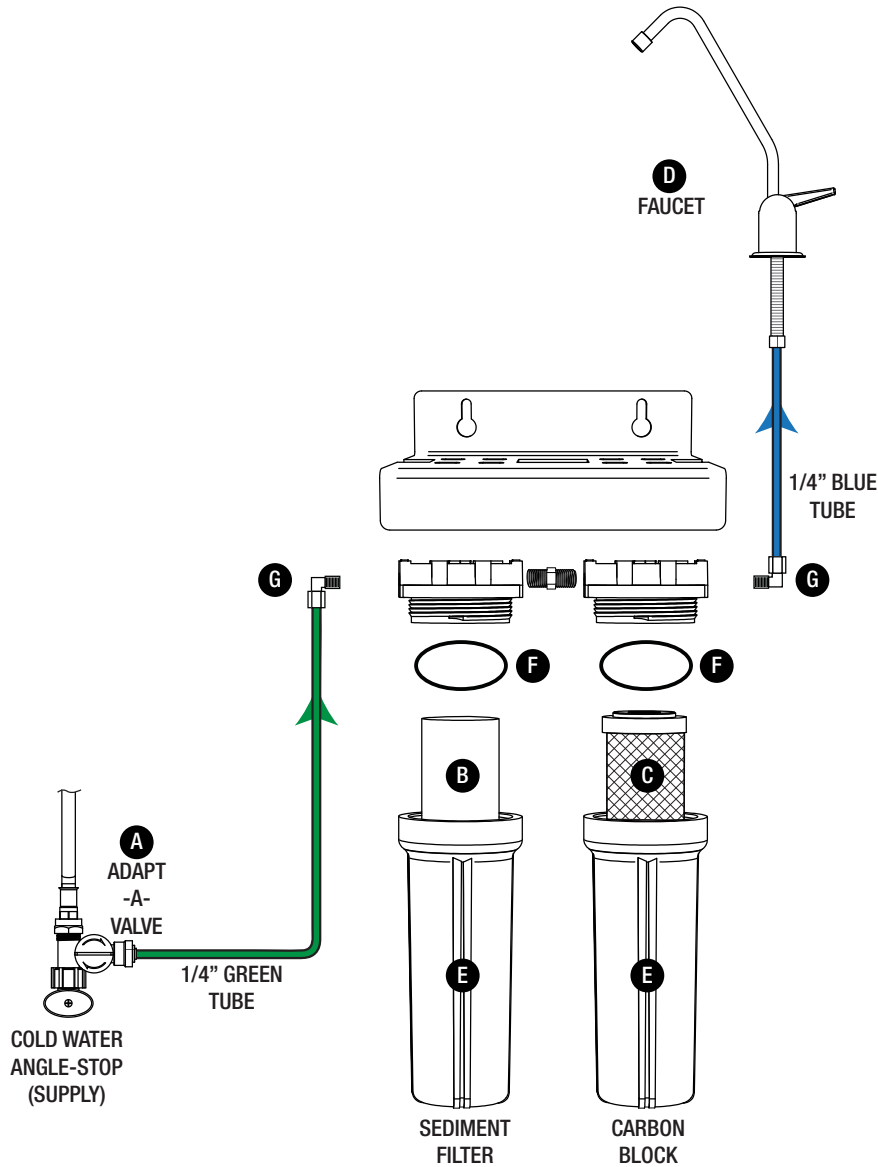
Pull on the tube to check that it is secure. It is a good practice to test the system prior to leaving the site and/or before use.

Disconnecting



To disconnect, ensure the system is depressurized before removing the tube. Push in collet squarely against the face of the fitting. With the collet held in this position, the tube can be removed. The fitting can then be reused.

System Diagram



Parts List		
Item	Part#	Description
A	WP560080	ADAPT-A-VALVE
B	WP104017	SEDIMENT FILTER
C	WP101014	LCV CARBON BLOCK FILTER
D	WP116023	CHROME NON AIR-GAP FAUCET
E	WP500017	FILTER HOUSING ASSEMBLY(LID & BOWL)
F	WP113029	O-RING
G	WP125034	1/4" C X 1/4" MPT ELBOW

Drill a Hole for the Faucet in a Porcelain Sink

NOTICE For Marble Counter-tops, we recommend contacting a qualified contractor for drilling a hole in a marble counter-top.

Note: Most sinks are predrilled with 1½" or 1¼" diameter hole that you can use for your Drinking Water faucet. (If you are already using it for a sprayer or soap dispenser, see Step 1).

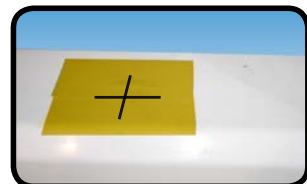
NOTICE Porcelain sinks are extremely hard and can crack or chip easily. Use extreme caution when drilling. Watts accepts no responsibility for damage resulting from the installation of faucet. Diamond tip bit recommended.

Step 1: Determine desired location for the RO faucet on your sink and place a piece of masking tape over where the hole is to be drilled. Mark the center of the hole on the tape.

Step 2 : Using a variable speed drill set on the slowest speed, drill a 1/8" pilot hole through both porcelain and metal casing of sink at the marked center of the desired location. Use lubricating oil or liquid soap to keep the drill bit cool (If drill bit gets hot it may cause the porcelain to crack or chip).

Step 3: Using a 1/2" diamond tip hole saw, proceed to drill the large hole. Keep drill speed on the slowest speed and use lubricating oil or liquid soap to keep the hole saw cool during cutting.

Step 4: After drilling, remove all sharp edges and make sure the surroundings of the sink are cooled before mounting the faucet.



Or Punch a Hole for the Faucet in a Stainless Steel Sink

NOTICE If mounting faucet to a Stainless Steel Sink you will need a 1/2" Hole Punch. The faucet opening should be centered between the back splash and the edge of the sink, ideally on the same side as the vertical drain pipe.

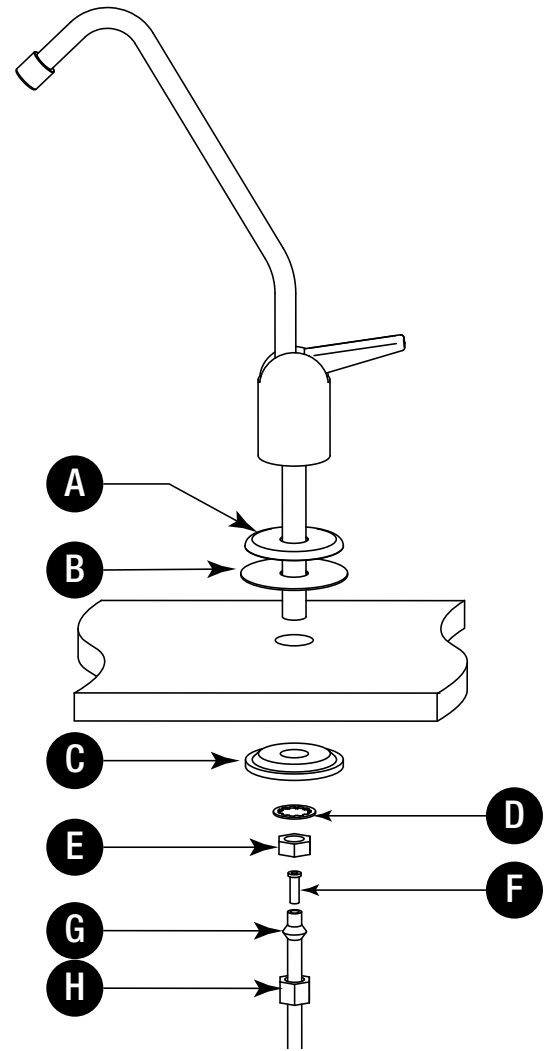
Step 1: Drill a ¼" pilot hole. Use a 1/2" Hole Punch and an adjustable wrench to punch the hole in the sink.

Step 2: The Faucet can now be installed



Faucet Installation

Parts List for Faucet	
Item	Description
A	Escutcheon Plate
B	Black Rubber Washer
C	Black Locating Washer (use where A 1/2" hole is available, reverse when mounting on stainless steel or when using drilled hole)
D	Lock Washer
E	Nut
F	Insert
G	Plastic Sleeve
H	1/4" Compression Nut



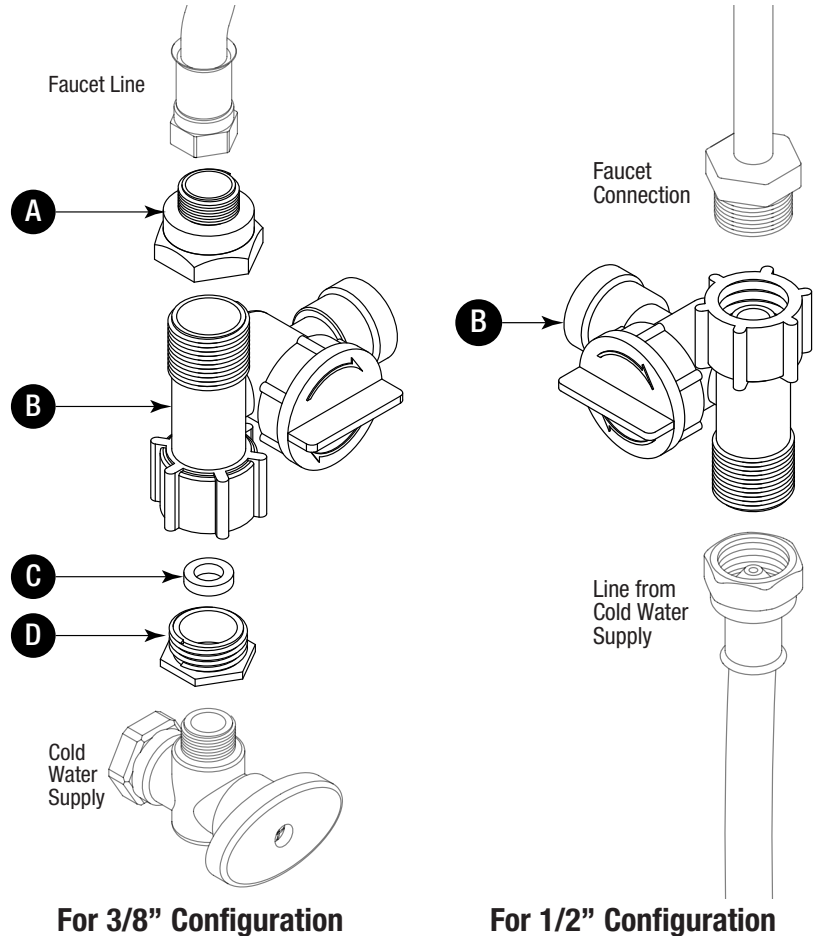
Gather and identify the faucet pieces

- Step 5: Place the escutcheon plate and the black rubber washer on the threaded stem. (Parts found in faucet parts bag).
- Step 6: Insert the threaded stem through the hole in sink and let it rest on the sink top.
- Step 7: From the underside of the sink, slide on the black locating washer, lock washer, and nut onto the threaded stem. Check the orientation of faucet then tighten the nut securely
- Step 8: Locate the 1/4" blue that is attached to the right side of the filter system. Grab the following parts from the faucet parts bag and place onto the end of the tube: the brass nut, plastic sleeve (small tapered end of sleeve must point to the end of tube), and then insert the plastic insert all the way into the end of the tube.
- Step 9: Push the assembled tube into the threaded stem until it stops. Slide the compression nut and plastic sleeve until you can thread the nut onto the faucet. Use a wrench to securely tighten the compression nut while continuing to push the tube into the faucet.

Adapt-a-Valve Installation

NOTICE Water supply line to the system must be from the cold water supply line only. Hot water will severely damage your system.

NOTICE Do not use Teflon tape with the Adapt-A-Valve™.



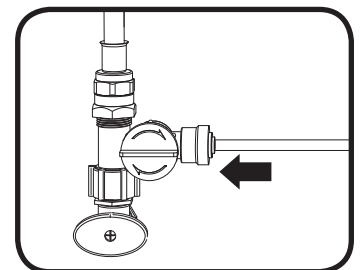
Parts List for Adapt-A-Valve	
Item	Description
A	Brass Adapter with black washer
B	Plastic Adapt-A-Valve & black collet
C	White Rubber Washer
D	Brass Adapter with no washer

- Step 10: Turn off the cold water supply to the faucet by turning the angle stop valve completely off.
- Step 11: Open cold water sink faucet to relieve pressure.
- Step 12: Choosing the configuration that fits your plumbing, attach the Adapt-A-Valve™ as illustrated in the diagrams above.

NOTICE Make sure that the black collet is installed in to the 1/4" opening on the Adapt-a-valve. Don't forget to install the white compression washer with the 3/8" configuration. The Brass Adapters do not need to be tightened with a wrench, only finger tight.

Green Tube Connection

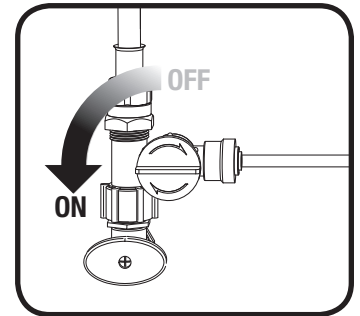
- Step 13: Locate the 1/4" green tube attached to the left side of the filter system and insert into the 1/4" quick connect fitting on the plastic Adapt-A-Valve. Make sure to push the tube all the way to the tube stop.



Start up Instructions

Congratulations! You have completed the installation of your new water filtration system. Please Follow the Startup Instructions.

- Step 1: Turn on water supply at angle stop and open the Adapt-a-Valve. Turn faucet handle to the open position to start the flow of water through the unit. Run 3 gallons of water through the unit in order to flush out the normal black carbon fines (it will “sputter” until the air is purged out) from the unit. Initially, the water may appear cloudy which is due to tiny air bubbles and it will clear up shortly. Close the faucet when finished.
- Step 2: Check for leaks. If you have any leaks, shut off the water supply to your system, tighten any fittings / housings and restart unit.



NOTICE

Check frequently over the next 24 hours to ensure no leaks are present

Filter Change

Premier recommends changing the filter element every 6 months. However filter life may vary depending on local water conditions and water use

NOTICE Use Premier's replacement cartridge only. Other filters may look the same, but only filters by Premier are manufactured to fit your WP-2 filter unit in order to ensure proper reduction of water contaminants.

6 Month System Maintenance

Replace: Sediment Filter (PN# 104017)

LCV Carbon Block (PN# 101014)

Step 1: Turn off the incoming water supply at the adapt-a-valve

Step 2: Open the filter faucet to relieve water pressure

Step 3: The filter bowls of the system can be removed by turning it clockwise (see diagram to the right).

Step 4: Remove used filter cartridge and discard.

NOTICE Do not discard Filter Housing O-Ring

Step 5: Clean the inside of the filter housing with warm, soapy water and rinse well to remove soap.

Step 6: Lubricate O-Ring with water-soluble lubricant

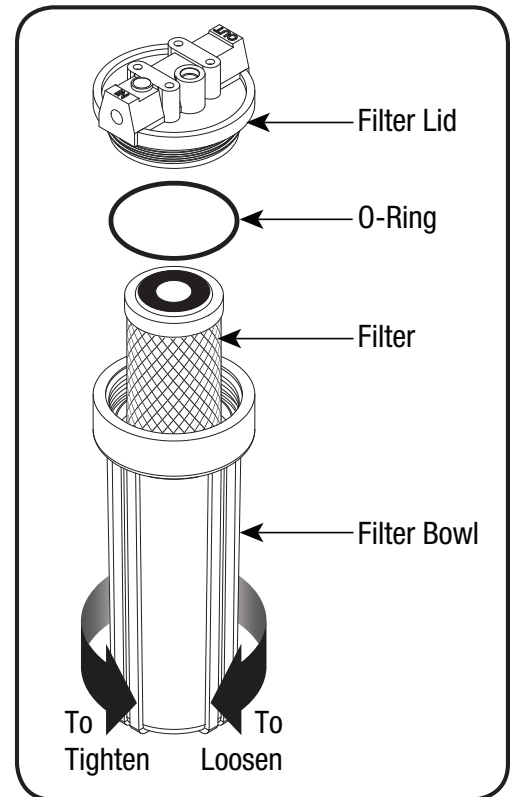
NOTICE Do not use any Petroleum based lubricants such as Vaseline ®

Step 7: Seat O-Ring in groove in Filter Bowl and insert new filter into appropriate filter housing

Step 8: Reinstall by turning the filter bowl counter-clockwise (see figure to the right) onto the lid. Make sure O-ring is properly seated.

NOTICE Hand tighten housing.

Step 9: Check for leaks. Monitor unit for leaks for 24 hours after filter replacement.



Troubleshooting

Problem	Cause	Solution
Filter bowl has no water in it.	Water is not turned on at supply valve	Make sure the cold water supply and adapt-a-valve are turned on
Leaking at the bowl.	O-Ring kinked or not seated.	Check / Replace / Re-seat O-Ring.
	Bowl not tightened enough.	Tighten bowl.
Leaking at the adapt-a-valve	Improper installation	Do not use any teflon tape on fitting. Do not use a wrench to tighten the fitting. Repair or replace fitting
	Tube is damaged	Cut damaged end of tube or replace tube
Leaking at top of valve (lid).	Faulty lid.	Call Premier at 800-752-5582 for a replacement
Low water flow / pressure	Filter clogged	Replace Filter

Service Record

Date of Purchase: _____ Model Number: **WP-2 LCV** Serial Number: _____

Date of Install: _____ Installed by: _____

Date	Sediment Filter (6 Months)	Carbon Block (6 Months)	Date:	Sediment Filter (6 Months)	Carbon Block (6 Months)



Limited Warranty

What your Warranty Covers:

If any part of your WP-2 LCV is defective in workmanship (excluding replaceable filters), return unit after obtaining a return authorization (see below), within 1 year of the original retail purchase, Watts Premier will repair or, at Watts Premier's option, replace the system at no charge.

How to obtain Warranty Service:

For warranty service, call 800-752-5582 for a return authorization number. Then, ship your unit to our factory, freight and insurance prepaid, with proof of date of original purchase. Please include a note stating the problem. Watts will repair it, or replace it, and ship it back to you prepaid.

What this warranty does not cover:

This warranty does not cover defects resulting from improper installation, (contrary to Watts Premier printed instructions), from abuse, misuse, misapplication, improper maintenance, neglect, alteration, accidents, casualties, fire, flood, freezing, environmental factors, water pressure spikes or other such acts of God.

This warranty will be void if defects occur due to failure to observe the following conditions:

1. The System must be hooked up to a potable municipal or well cold water supply.
2. The pH of the water must not be lower than 5 or higher than 10.
3. The incoming water pressure must be between 20 and 85 pounds per square inch.
4. Incoming water to the system cannot exceed 100 degrees F (38 degrees C.)

This warranty does not cover any equipment that is relocated from the site of its original installation.

This warranty does not cover any charges incurred due to professional installation.

LIMITATIONS AND EXCLUSIONS:

WATTS PREMIER WILL NOT BE RESPONSIBLE FOR ANY IMPLIED WARRANTIES, INCLUDING THOSE OF MERCHANTABILITY AND FITNESS FOR A PARTICULAR PURPOSE. WATTS WILL NOT BE RESPONSIBLE FOR ANY INCIDENTAL OR CONSEQUENTIAL DAMAGES, INCLUDING TRAVEL EXPENSE, TELEPHONE CHARGES, LOSS OF REVENUE, LOSS OF TIME, INCONVENIENCE, LOSS OF USE OF THE EQUIPMENT, AND DAMAGE CAUSED BY THIS EQUIPMENT AND ITS FAILURE TO FUNCTION PROPERLY. THIS WARRANTY SETS FORTH ALL OF WATTS RESPONSIBILITIES REGARDING THIS EQUIPMENT.

Other Conditions:

If Watts Premier chooses to replace the equipment, Watts Premier may replace it with reconditioned equipment. Parts used in repairing or replacing the equipment will be warranted for 90 days from the date the equipment is returned to you or for the remainder of the original warranty period, whichever is longer. This warranty is not assignable or transferable.

Your Rights Under State Law:

Some states do not allow limitations on how long an implied warranty lasts, and some states do not allow the exclusion or limitation of incidental or consequential damages, so the above limitations or exclusions may not apply. This warranty gives you specific legal rights, and you may have other legal rights which vary from state to state.

WARNING: This product contains chemicals known to the State of California to cause cancer and birth defects or other reproductive harm.

For more information: www.watts.com/prop65