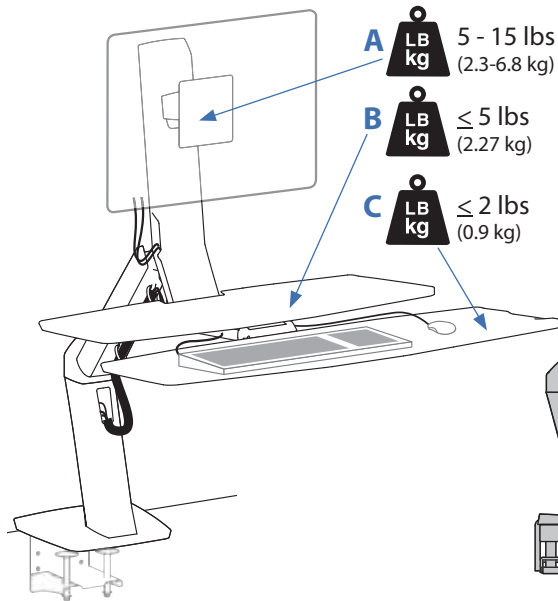


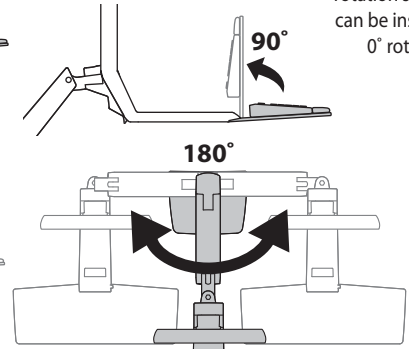
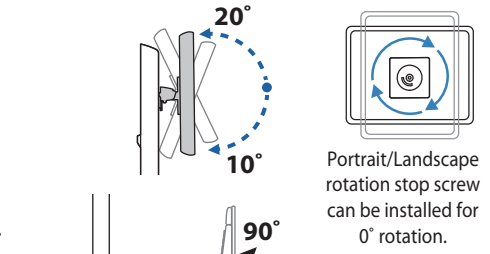
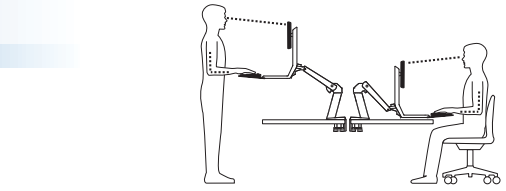
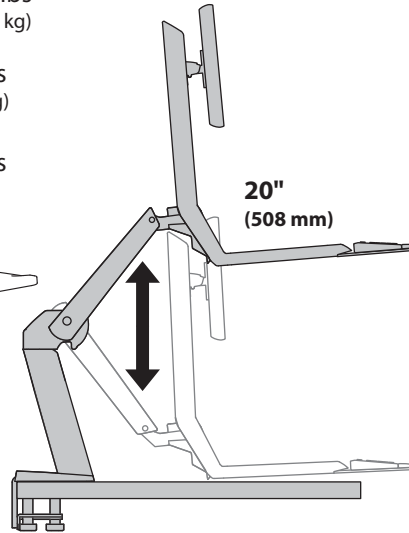
WorkFit-A, Single LCD Mount, LD

Dimensional & Range of Motion Illustrations

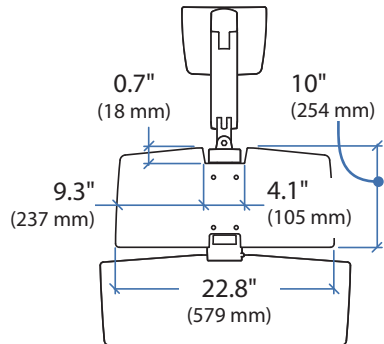
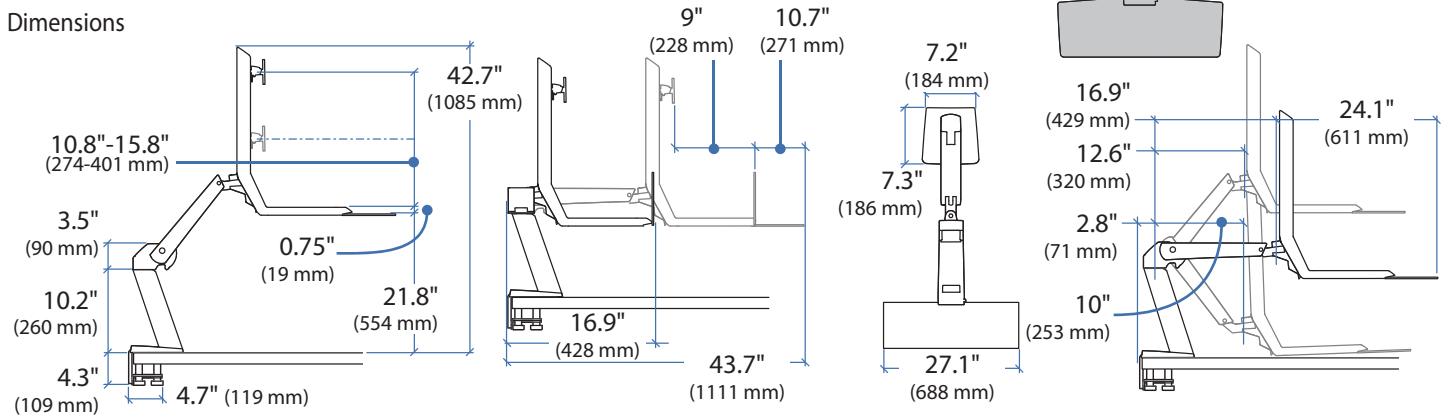
Weight Capacity



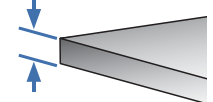
Range of Motion



Dimensions



Desk Thickness:
0.78"-2.56" (20-65mm)



© 2013 Ergotron, Inc. rev. 08/22/2013 DIM-WorkFit-Allworksurface Content is subject to change without notification

Americas Sales and Corporate Headquarters

St. Paul, MN USA
(800) 888-8458
+1-651-681-7600
www.ergotron.com
sales@ergotron.com

EMEA Sales

Amersfoort, The Netherlands
+31 33 45 45 600
www.ergotron.com
info.eu@ergotron.com

APAC Sale

Tokyo, Japan
www.ergotron.com
apaccustomerservice@ergotron.com

Worldwide OEM Sales

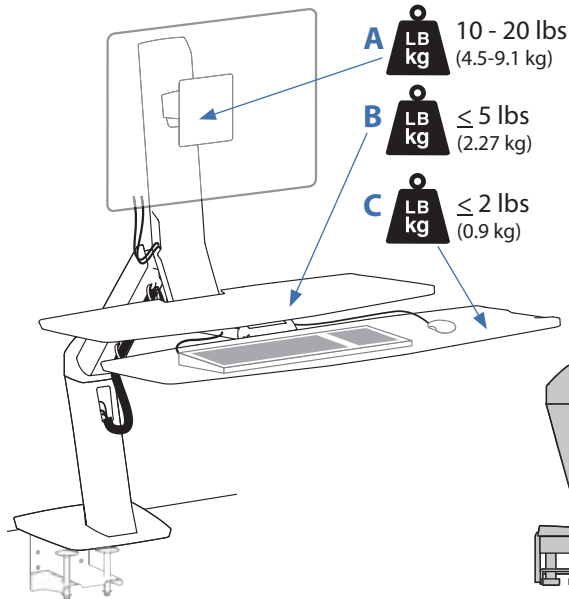
www.ergotron.com
info.oem@ergotron.com



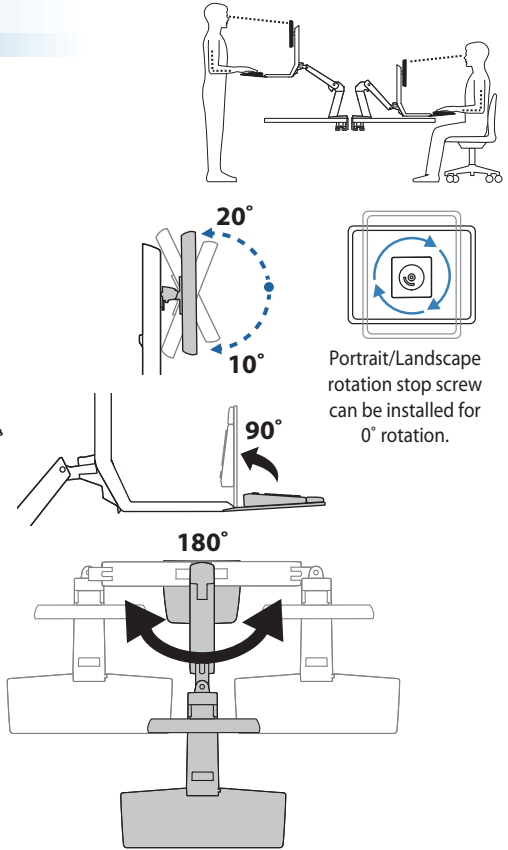
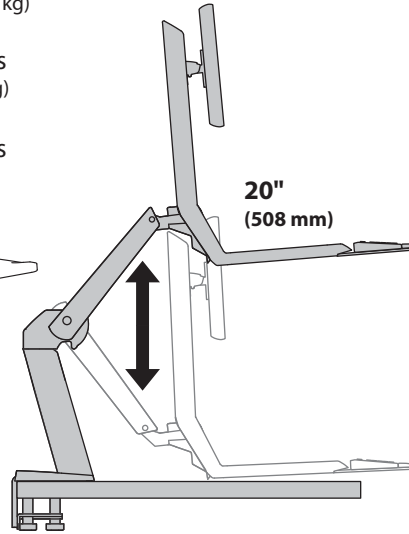
WorkFit-A, Single LCD Mount, HD

Dimensional & Range of Motion Illustrations

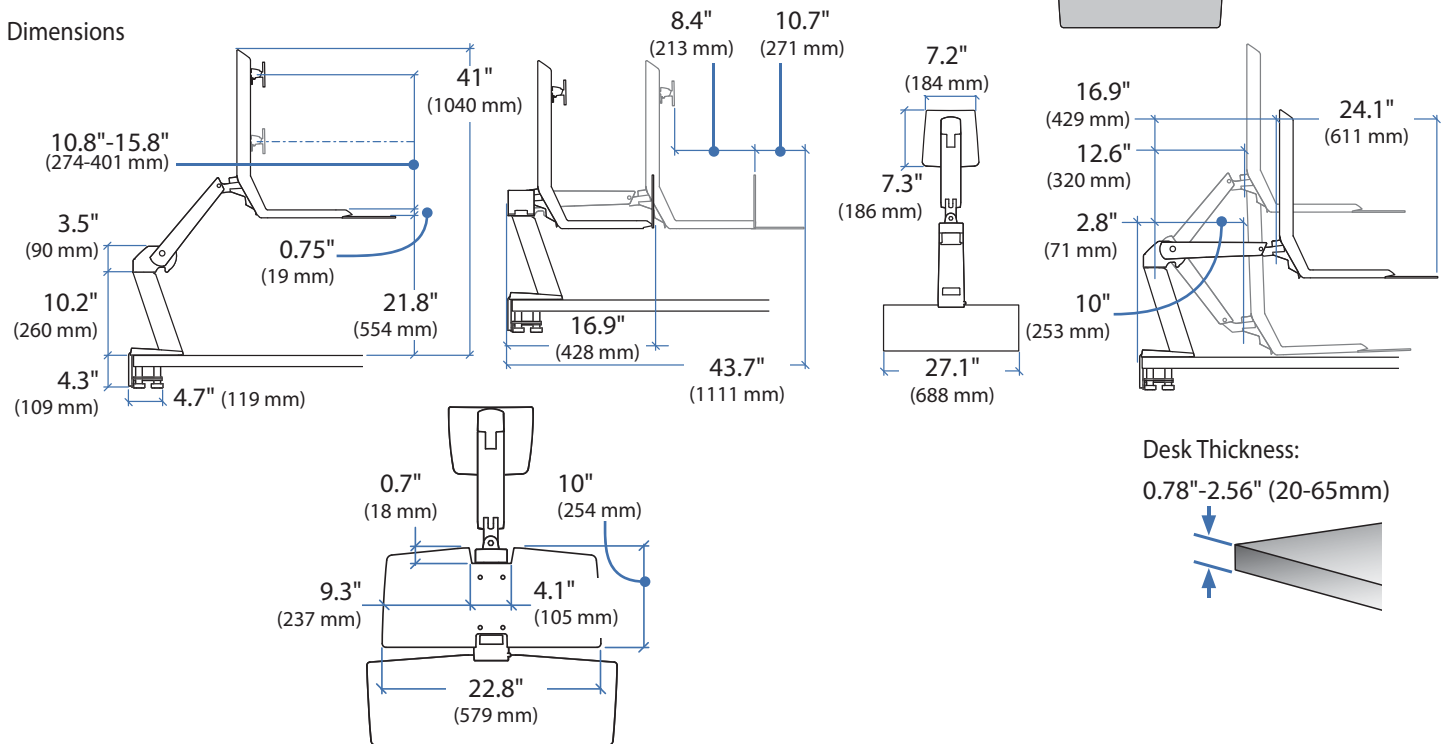
Weight Capacity



Range of Motion



Dimensions



© 2013 Ergotron, Inc. rev. 08/22/2013 DIM-WorkFit-Allworksurface Content is subject to change without notification

Americas Sales and Corporate Headquarters

St. Paul, MN USA
 (800) 888-8458
 +1-651-681-7600
 www.ergotron.com
 sales@ergotron.com

EMEA Sales

Amersfoort, The Netherlands
 +31 33 45 45 600
 www.ergotron.com
 info.eu@ergotron.com

APAC Sale

Tokyo, Japan
 www.ergotron.com
 apaccustomerservice@ergotron.com

Worldwide OEM Sales

www.ergotron.com
 info.oem@ergotron.com



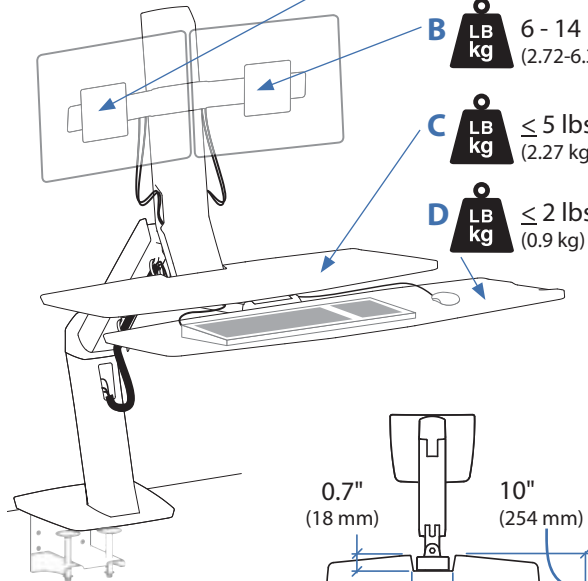
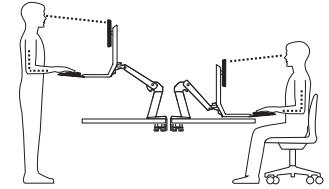
Ergotron®

WorkFit-A, Dual

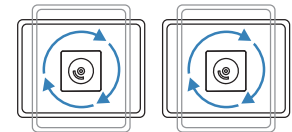
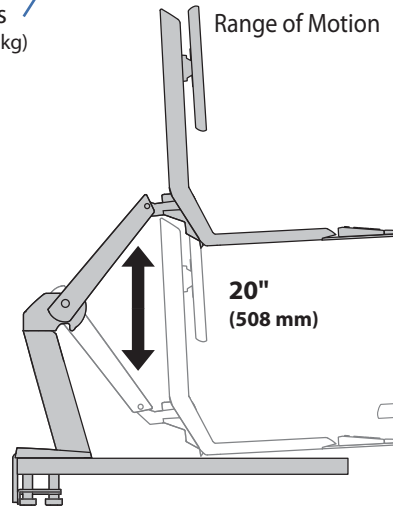
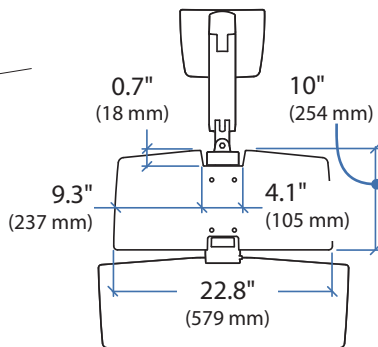
Dimensional & Range of Motion Illustrations

Weight Capacity:

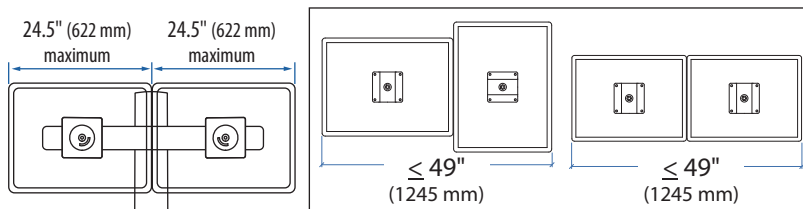
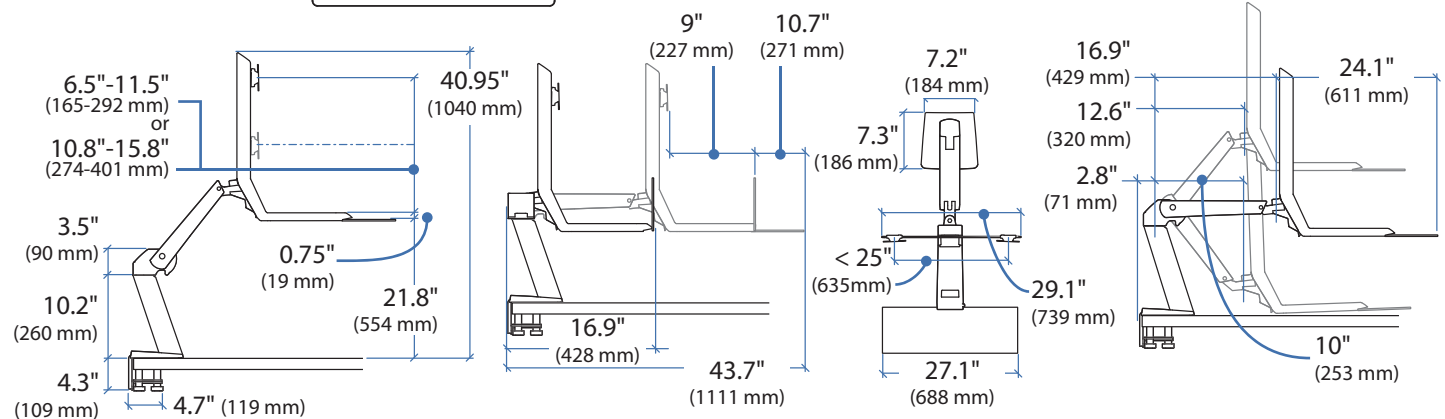
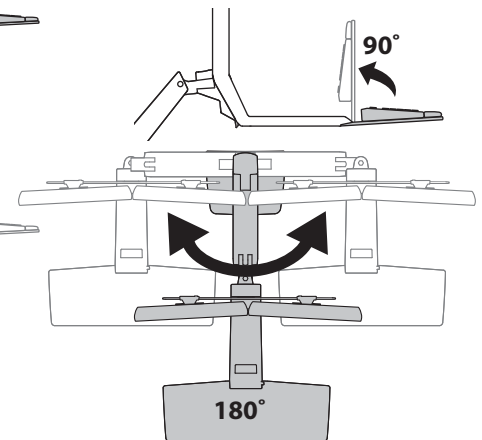
- A** 6 - 14 lbs (2.72-6.35 kg)
 - B** 6 - 14 lbs (2.72-6.35 kg)
 - C** ≤ 5 lbs (2.27 kg)
 - D** ≤ 2 lbs (0.9 kg)
- A+B** 9-20 lbs (4.1-9.1 kg)



Dimensions

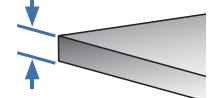


Portrait/Landscape rotation stop screw can be installed for 0° rotation.



***Attention:** Listed allowable widths assume monitor thickness is 2" (51 mm). If monitor thickness is less, allowable width may be more. Contact Ergotron for details.

Desk Thickness:
0.78"-2.56" (20-65mm)



© 2013 Ergotron, Inc. rev. 08/22/2013 DIM-WorkFit-Allworksurface Content is subject to change without notification

Americas Sales and Corporate Headquarters

St. Paul, MN USA
(800) 888-8458
+1-651-681-7600
www.ergotron.com
sales@ergotron.com

EMEA Sales

Amersfoort, The Netherlands
+31 33 45 45 600
www.ergotron.com
info.eu@ergotron.com

APAC Sale

Tokyo, Japan
www.ergotron.com
apaccustomerservice@ergotron.com

Worldwide OEM Sales

www.ergotron.com
info.oem@ergotron.com

