

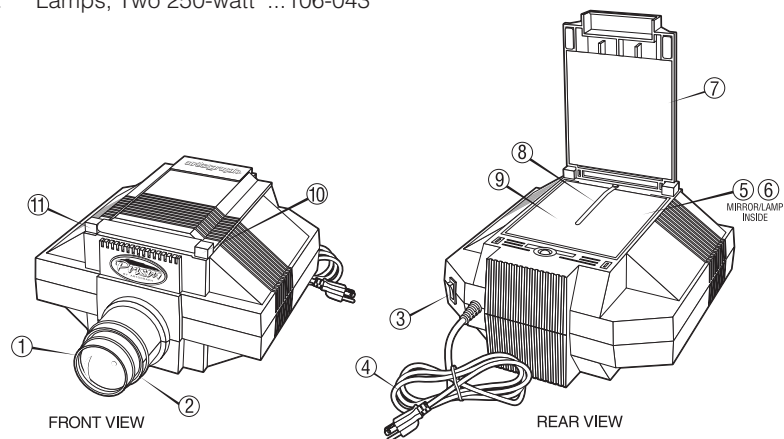
WARRANTY

Be sure to fill out and mail the enclosed warranty registration card. You may also register your Prism online at www.artograph.com.

Artograph projectors are guaranteed against all defects in material and workmanship for five years from the date of sale to the original purchaser. Any part of the equipment which becomes defective under normal installation and use will be repaired or replaced without charge for factory labor and materials, providing the equipment is returned, shipping pre-paid, to our factory within this period. CONTACT OUR OFFICE FOR RETURN AUTHORIZATION. This warranty does not apply to equipment which has been subjected to abuse, accident, or alteration, nor to equipment which has been improperly installed or wired in violation of the printed instructions furnished. The warranty registration card should be filled out and returned immediately to ensure warranty service. You may also register your Artograph product online at www.artograph.com.

PARTS LIST:

- | | |
|---|----------------------------------|
| 1. Prism Lens200-728 | 7. Lid/Cover151-523 |
| 2. Retaining O-ring151-571
(Prism Lens only) | 8. Copy Clip151-570 |
| 3. Power Switch145-306 | 9. Top Glass108-045 |
| 4. Power Cord145-347 | 10. Right Lid Pivot151-565 |
| 5. Mirror108-023 | 11. Left Lid Pivot151-564 |
| 6. Lamps, Two 250-watt ...106-043 | |



User's Guide for Prism Projector



ARTOGRAPH

2838 Vicksburg Lane North, Plymouth, MN 55447 USA
Tel: 888-975-9555 E-mail: sales@artograph.com
www.artograph.com

Thank You...

for purchasing our Artograph Prism! The Prism™ projector has become the standard for the discriminating artist, crafter and designer. It offers increased performance and special features to make scaling artwork and designs faster and easier than ever before. You will find your Prism projector ideal for projecting all varieties of high contrast line art, photos, patterns, and designs for an almost endless range of applications. We hope you enjoy your new Prism! If you have any questions or suggestions, please contact us toll free at 888-975-9555.

IMPORTANT SAFEGUARDS

When using this projector, always follow basic safety precautions, including the following:

1. Read and understand all instructions before operating.
2. Close supervision is necessary when used by or near children. Do not leave unattended while in use.
3. Do not operate this equipment with a damaged cord, or if it has been dropped or otherwise damaged, until it has been examined by a qualified electrician.
4. If an extension cord is necessary, be sure it has a suitable current rating. Cords rated for less amperage than this equipment may overheat. Be careful to arrange the cord so that it will not be tripped over or pulled.
5. Always unplug from the electrical outlet when not in use. Disconnect by grasping and pulling the plug from the outlet; never yank the cord to disconnect the plug.
6. Allow the projector to cool completely before moving. Loop the cord loosely when storing.
7. If the projector receives water damage, do not use until inspected by a qualified electrician.
8. To avoid electrical shock hazard, do not disassemble. Take the projector to a qualified electrician. Incorrect reassembly can cause an electrical shock hazard.

PLEASE SAVE THESE INSTRUCTIONS

SETUP & OPERATION

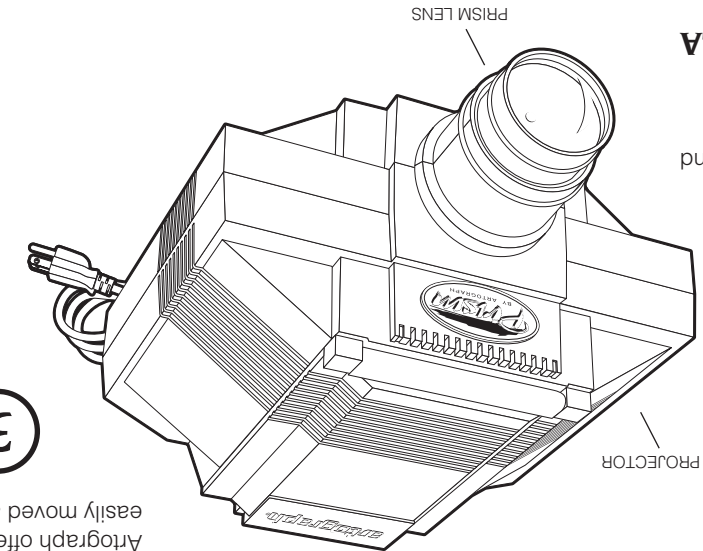
Step 1

CONTENTS:

Projector + Prism lens

1 LENS INSTALLATION:

The rubber "O" ring (#2) should be rolled down to the end of the lens barrel. This ring prevents the lens from entering too far into the lens barrel. (See General Focusing & Enlarging section for reduction and enlargement positions.)



2 PROJECTION AREA

All opaque projectors work like a flashlight; the darker the room, the brighter the projected image will appear. For best results, operate your Prism in a completely dark room. The clearest and brightest images are produced in a room where you are able to control the lighting conditions or work in the evening. To achieve the maximum image size of approximately 20X, a minimum distance of 18 ft. (5.5m), measured from the label above the lens to the projection surface, is required (see Distance Chart for further information).

Mount the projector onto a surface that can be easily moved. Movement of the projector is required to achieve the desired size. A taborot or rolling cart is ideal. Artograph offers an optional Projector Floor Stand, item #225-350, that can be easily moved and raised for the ultimate in image positioning.

3 PROJECTING

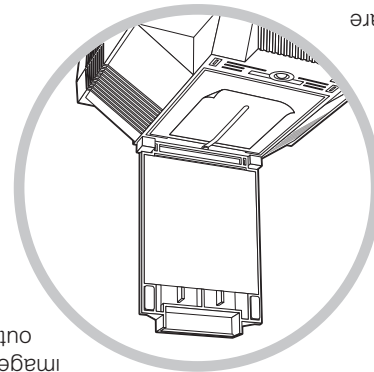
To load the projector, simply lift the copy board lid of the projector and mount your copy face down onto the glass surface. The metal copy clip may be pushed to the side if desired as it is only necessary when mounting the projector onto the accessory Prism Table Stand, item #225-206. Close the cover, plug the projector into an outlet and turn the projector on by flipping the switch at the back of the unit. Turn the room lights off. You are now ready to adjust the size and clarity of the projected image. Always adjust the desired size of the projected image first before focusing it. (See Distance Chart for approximate distance.)

Caution: During operation, ensure the projector is properly ventilated. Do not block the exhaust or inlet vents located on the back and sides of the projector.

4 GENERAL FOCUSING & ENLARGING

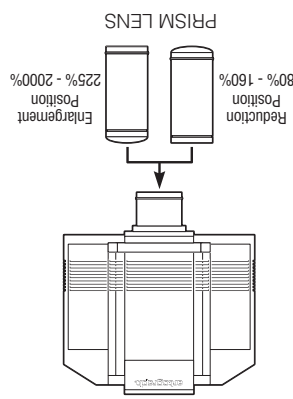
The size and clarity of your projected image is determined by the distance of the projector from the projection surface and the focusing of the lens. The farther the projector is from the work surface, the larger your image will be. As you change distance, you will have to slide the lens in or out slowly within the lens barrel to focus the projected image.

The Prism both enlarges and reduces with one reversible lens. The projection range of this lens is 80% (4/5 x) reduction (20% less than the size of your original), up to 20 times enlargement. Please Note: A gap exists in the projection range that cannot be achieved due to the reversing of the lens - 170% to 250%. You will have to adjust the size of your original to achieve a size in this range.



Distance Chart (approximate) - Measured from label above lens to projection surface.

Range	Distance	[Lens in reduction position]	[Lens in enlargement position]
8"	24"	(61cm)	(1.2m)
1X	23"	(58cm)	(1.2m)
5X	47"	(1.2m)	(2.3m)
10X	89"	(2.3m)	(4.3m)
20X	14'	(4.3m)	



5 COPY AREA

The copy area is 7" x 7". This indicates the maximum size of copy the lens can see. This copy size, however, varies with the desired projection size. With greater enlargement, the lens sees less of the copy area.

6 PHOTOGRAPH PROJECTION (USE CAUTION!)

1. **Work from a copy of any valuable or important photographs.** Never use an original if it cannot be replaced. Photographs were not intended to handle the intense light and heat created by a projector. Though this projector is fan-cooled and ventilated to keep the copy cooler, it does get hot and photographs may be adversely affected by the heat and light.
2. **Never project old photographs** as they are particularly sensitive to heat and light and they will be damaged. Again, have a copy made.
3. **To prevent photographs from curling, mount them to a stiff backing material or put them in a picture mat.**
4. **When projecting, make sure that the fan is operating and that the cooling vents have not been obstructed.** When finished tracing the projected photo, turn the projector off and remove photo.

(OVER PLEASE)

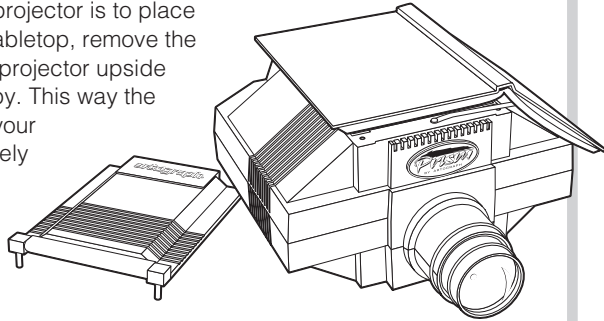
TIPS & TECHNIQUES

Oversized Copy/Books

Step **2**

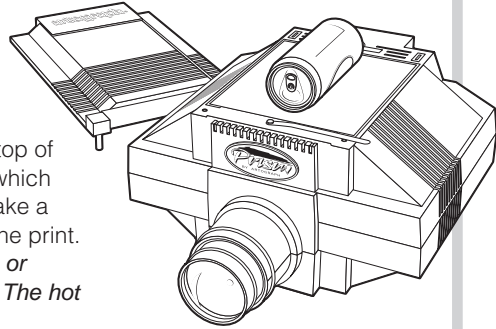
If your original is larger than what will fit onto the copy area, or if you are working from a picture in a book, simply remove the lid from the projector by pulling up the cover carefully and removing the two pivot pins. Place the copy or book on top of the projector. The lens will still only see a 7" x 7" portion of this copy, but placing it on top will allow you to move it around and project it in sections. Once you have drawn a section, move the copy and realign the projected image to the stopping point of the traced area. Resume tracing and repeat as many times as necessary. The other alternative to oversized copy is to reduce the original on a copier, so that it fits within the 7" x 7" copy area.

Another way to make use of oversized copy that is not manageable on top of the projector is to place the copy face-up on your tabletop, remove the projector lid and place the projector upside down and on top of the copy. This way the copy will remain rigid and your projected image is more likely to line up properly.



Small 3-D Objects

Small 3-D objects can be projected by removing the projector lid and placing the object on top of the projector copy area. To ensure maximum image clarity, place a box over the top of the object to eliminate ambient light (light escaping from the top of the projector). To project 3-D objects which are larger than the 7" x 7" copy area, take a photograph of the object and project the print. **CAUTION: Do not mount aerosol cans or pressurized objects onto the projector. The hot surface may cause them to burst.**

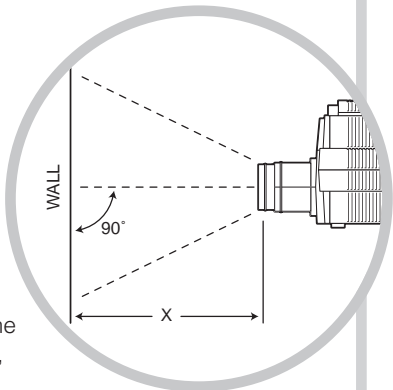


Measurements of Projections

To determine a particular scale of a projected image, mount a 6" ruler next to the copy or draw 1" grid lines onto the copyboard itself. If specific enlargements are frequently used from common originals, mark the floor with tape. Position the tape at desired distances and mark the image size directly on the tape for future reference (i.e. 10x). Then simply align the cart, Projector Floor Stand (see *Accessories Section of this manual*), or table with the tape mark to attain that size.

Minimizing Distortion

Distortion is largely created when the projector is not projecting squarely (perpendicular) onto the desired surface. Imagine shining a flashlight onto a wall. If the flashlight is shining straight ahead, the light is a round circle. If the flashlight is turned to an angle, either up or down or back and forth, the circle of light is distorted. This same concept applies with a projector. To minimize distortion, always keep the projector level and the image square to the wall, canvas or other vertical surface.



Common Uses for Projectors

Art projection has been used in fine art painting since the Renaissance. The earliest form of the camera obscura pinhole viewing system, used to project and visualize images, dates back to the 1500s. Artograph brings the benefits of 21st century technology and precision engineering to the tradition of art projection, and provides today's artists, crafters and designers with an indispensable tool of the trade.

Your Prism has an almost endless array of uses...

USE IT TO...

Size Up

The fast, easy way to enlarge and project photographs, prints, patterns, designs and sketches onto almost any surface.

Find the Best Composition

Arrange the elements of a painting to decide on the best composition and see how an additional feature would look in the picture before it's committed to the surface.

Define Features

Enhance and define features and tonal range in portrait painting when working from a photograph or sketch.

Brush Up Your Drawing Skills

Trace around images to improve hand and eye coordination, understand perspective and learn to draw better.

Step **3**

Paint on a Grander Scale

Free up your creative skills and gain confidence to work on larger paintings and murals.

Repeat Success

Transfer an accurate repeat image for cartooning or decorating walls, furniture, fabrics, pottery, cake icing – in fact, just about any surface to be hand-painted.

Save Time

Produce paintings and decorative work faster – for fun and profit!

APPLICATIONS

Fine Art

Fine Artists of all varieties using many types of media will find the Prism invaluable. Photographs, thumbnail sketches, artwork and designs can all be scaled and reproduced in the size needed to accomplish portraits, landscapes, still life and many other fine art formats.



Decorative Painting

Artists and crafters who decorate on wood, metal pieces or ceramics will find the Prism ideal for visualizing placement of their pattern or stencil, whether it be on wood plaques, furniture, dishes, Shaker boxes or just about any surface to be decorated.



Airbrushing

Artists that airbrush onto fabric or any other media will find the Prism useful in gaining an outline and position for their image. Project the image, trace the outline and airbrush the color in.



Illustration

Illustrators will find the Prism to be indispensable in scaling up their thumbnail sketches, logos and small 3-D objects.



Home Décor

Designers and crafters can work with repeats, patterns and stencils from wallpaper and fabric to transfer onto walls, furniture, canvas or ceramic and pottery pieces for endless decorating possibilities.



Murals

Artists, crafters and designers can use the Prism to create inviting or whimsical wall murals and larger paintings for children's rooms, hallways, doors, living rooms, office spaces and more. Project favorite sports figures, animals or themes from magazines or books directly onto the wall, trace and color as desired.



Education/Classroom Work

Teachers will discover a variety of uses for their Prism while enlarging maps, animals or constellations for students to view or trace. School posters, banners and props for plays and productions are made quickly and easily with a projector.



Signs

Anyone can create banners and signs with ease with their Prism. Project lettering from a book or fonts printed from a computer to design store signs, party banners etc.



Woodworking

Carvers can quickly transfer their patterns, designs, sketches and even photos directly onto wood pieces. As little or as much detail as desired can be transferred to any wood surface to make carvings more precise and accurate.



Fabric Design

Quilters, silk painters, stencilers and many other types of designers and crafters who work with fabric can use their Prism to project and manipulate the size of their patterns and designs. Choose a favorite fabric design and incorporate it into your quilt or fabric.

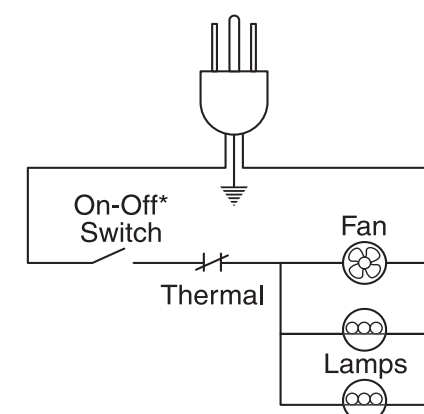


Step **4**

ELECTRICAL SCHEMATIC

Prism 120v AC 60 Hz, 4.7 amps

- 220/240 Volt AC 50 Hz units are wired so that both incoming leads may be shut off at the switch.



Step **5**

PROJECTOR MAINTENANCE

Lens

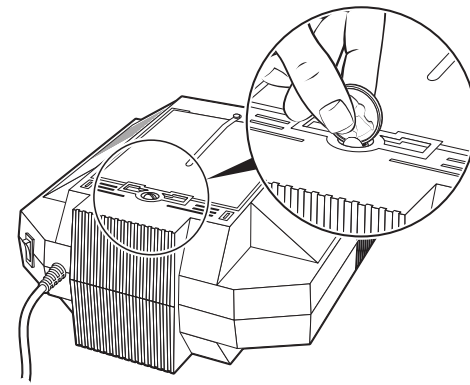
Clean the lens with any lens cleaner and soft cloth or lens tissue. Apply cleaner to the cloth – NEVER apply cleaner directly onto the lens, as it may seep inside.

Step **6**

Mirror/Lamps

To clean mirror or replace lamps, first disconnect power supply.

Loosen plastic screw near the back of the projector next to the top glass with a coin or screwdriver. Remove top glass and set aside.



MIRROR

The Prism has a special front-surface mirror which eliminates double imaging and enhances brightness. Clean its silvered surface with care, using a mild cleansing solution and a soft cloth or tissue. DO NOT scrub.

LAMPS

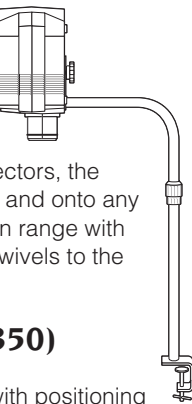
The Prism uses two each of a 250-watt ECA photo lamp. Replacement lamps can be ordered from an Artograph dealer, direct from our factory, or from your local bulb supplier or camera supply store. To order direct from Artograph, contact us toll-free at 1-888-975-9555, mail the enclosed parts order form or visit us online at www.artograph.com.

WARNING: Never use lamps that exceed 250-watts. (275 watt lamps may be used in U.K. & Australia.)

ACCESSORIES

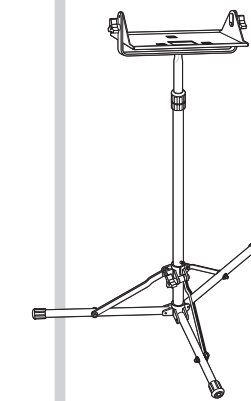
Prism Table Stand (#225-206)

Designed to be used with both the Prism and Super Prism projectors, the Prism Table Stand attaches easily and securely to the projector and onto any table edge to allow for convenient tabletop projection. Projection range with this stand is from 80% (4/5x) reduction up to 3x enlargement. Swivels to the floor for increased enlargement range.



Projector Floor Stand (#225-350)

Adjustable sturdy stand designed to assist with positioning of the projected image. The stand incorporates a large adjustable platform that will allow for quick and easy positioning of your projector onto a wall, easel, or other vertical surfaces. The platform may be rotated 360 degrees, tilted 15 degrees front to back and elevated up from 3 ft. to 4½ ft. high.



OTHER ARTOGRAPH PRODUCTS

Spray Booths

Artograph manufactures a full-line of Spray Booths which reduce the mess and hazards associated with sprayed materials like paints, fixatives and adhesives by effectively trapping and filtering the overspray and fumes.

Light Boxes

Artograph manufactures a full-line of light boxes of varying sizes that feature a conveniently slanted work surface and handy recessed tool tray. Ideal for backlighting designs, patterns and stencils for embossing, sewing, quilting, scrapbooking, custom cards, cartooning, lettering and many other tracing and viewing applications.

MANUAL DEL USUARIO DEL PROYECTOR PRISM

MUCHAS GRACIAS por haber elegido el proyector Artograph. La serie Prism ha sido diseñada siguiendo con fidelidad el lema de nuestra compañía: "Ofrecer productos de óptima calidad al mercado de las artes, artesanías y elaboración de juguetes, para permitirles a nuestros clientes ser más creativos y productivos".

Su nuevo Prism le brindará satisfacción a la hora de crear. Le ahorrará un tiempo valioso al dibujar y componer, permitiéndole concentrarse más en la pintura o el coloreado. Este artefacto le ofrece a usted la posibilidad de contar con una mayor variedad de métodos de trabajo, ya sea utilizando nuevos medios o nuevos originales. El Prism le ayudará a crear y recrear el producto final tal como usted lo desee.

IMPORTANTES MEDIDAS DE SEGURIDAD

Cuando utilice su proyector, tome siempre precauciones de seguridad básicas, incluyendo las siguientes:

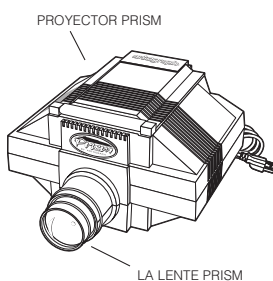
1. Lea y asegúrese de comprender todas las instrucciones antes de operar el equipo.
2. Supervise cuidadosamente el funcionamiento del proyector cuando sea utilizado por niños o cerca de éstos. No deje solo el equipo mientras esté encendido.
3. Si el equipo tiene el cable dañado, si se ha caído o si ha sufrido algún otro desperfecto, no lo use hasta que lo examine un electricista calificado.
4. Si necesitara un cable de extensión, asegúrese de que tenga la corriente apropiada. Los cables con amperaje inferior al de este equipo pueden recalentarse. Coloque el cable de manera que nadie pueda tropezar con él o tirar del mismo accidentalmente.
5. Desconecte el equipo cuando no lo esté utilizando. Para hacerlo, sujete el enchufe con los dedos y quítelo del tomacorriente. Nunca tire del cable para desenchufar el equipo.
6. Deje que el proyector se enfríe completamente antes de moverlo de sitio. Para guardarlo, enrosque el cable sin apretar.
7. Si el proyector se mojara, no lo utilice hasta que lo examine un electricista calificado.
8. Para evitar el peligro de descarga eléctrica, no desarme la unidad. Llévela a un electricista calificado. Si se arma el proyector incorrectamente, existe el riesgo de descarga eléctrica.

CONSERVE ESTAS INSTRUCCIONES

PUESTA EN MARCHA Y FUNCIONAMIENTO

CONTENIDO:

Proyector Prism
+ la lente Prism



INSTALACIÓN DE LALENTE:

Haga correr la junta tórica de caucho (Nº 2) hasta el borde de la lente que sobresale del proyector. Esta junta tórica evita que la lente penetre muy adentro del cañón de la lente

ÁREA DE PROYECCIÓN

Todos los proyectores episcopícos funcionan como una linterna; cuanto más oscura esté la sala, más brillante será la imagen proyectada. Las imágenes más nítidas y brillantes se obtienen en una sala completamente oscura. Si desea lograr resultados óptimos, utilice su Prism en una sala en la que usted pueda controlar los factores de iluminación o trabajar de noche. Para obtener el tamaño máximo de imagen, de aproximadamente 20X, se requiere una distancia mínima de 5,5m (18 pies), medida desde la etiqueta que se encuentra arriba de la lente hasta la superficie de proyección. (Consulte la tabla para mayor información.)

Ubique el proyector sobre una superficie que pueda ser desplazada fácilmente. La movilidad del proyector es imprescindible para lograr el tamaño deseado. Lo ideal es un taburete o un carrito con ruedas. Artograph ofrece, como opcional, un pedestal de pie para proyector, artículo nº 225-350, que puede moverse y subirse fácilmente para lograr una colocación perfecta de la imagen.

PROYECCIÓN DE IMÁGENES

Para cargar el proyector, simplemente levante la tapa de la tablilla de copiado y apoye la copia sobre la superficie de vidrio con la imagen hacia abajo. Si lo desea, puede correr a un lado el sujetador metálico ya que sólo se necesita cuando se instala el proyector sobre el Pedestal de mesa Prism, accesorio nº 225-206. Cierre la tapa, enchufe el proyector en un tomacorriente y enciéndalo presionando el interruptor que se encuentra en la parte trasera de la unidad. Apague las luces de la sala. Ahora ya está listo para regular el tamaño y la nitidez de la imagen proyectada. Regule siempre primero el tamaño de la imagen proyectada antes que el enfoque. (Ver la tabla de distancias aproximadas.)

Precaución: Mientras el proyector esté funcionando, asegúrese de que esté bien ventilado. No bloquee el escape o las rejillas de entrada de aire, situadas en la parte trasera y a ambos lados del proyector.

GENERALIDADES SOBRE ENFOQUE Y AMPLIACIÓN

El tamaño y la nitidez de la imagen proyectada dependen de la distancia entre el proyector y la superficie de proyección y el enfoque de la lente. Cuanto más lejos esté el proyector de la superficie de trabajo, más grande será la imagen. A medida que usted varíe la distancia, tendrá que deslizar la lente hacia adentro o hacia afuera en el cañón para poner en foco la imagen proyectada.

El Prism reduce y amplía usando sólo una lente reversible. El rango de proyección de esta lente va desde una reducción al 80% (4/5 x), un tamaño 20% menor que el original, hasta una ampliación de 20 veces el tamaño original.

Advertencia: Hay una banda vacía en el rango de esta lente debido a su reversibilidad, entre 170% y 250%. Para obtener un tamaño dentro de este rango deberá ajustar el tamaño de su original.

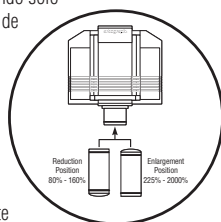


Tabla de distancias (aproximadas) – Medidas desde la etiqueta que se encuentra arriba de la lente hasta la superficie de proyección.

Rango de la imagen	0.8	1x	5x	10x	20x
Distancia	24"	23"	47"	89"	14'
	(61cm)	(58cm)	(1,2m)	(2,3m)	(4,3m)
	[Lente en posición de reducción]		[Lente en posición de ampliación]		

ÁREA DE COPIADO

La superficie de copiado en ambos proyectores es de 18 x 18 cms (7 x 7 pulgadas). Esto indica el tamaño máximo de copia que la lente registra. Sin embargo, el tamaño registrable varía según el tamaño de proyección que se desee. Cuanto mayor sea la ampliación, menor será la superficie de copiado que registre la lente.

PROYECCIÓN DE FOTOGRAFÍAS (¡USE CON PRECAUCIÓN!)

Es muy común que se proyecten fotografías; sin embargo, deben tomarse algunas precauciones:

1. **Use copias si se trata de fotografías valiosas o importantes.** Nunca utilice un original que no pueda ser reemplazado. Las fotografías no resisten la intensa luz y el calor que produce un proyector. A pesar de que este proyector tiene un ventilador y rejillas de ventilación, para mantener frescas las copias puede igualmente recalentarse y las fotografías serían afectadas por el calor y la luz.
2. **No proyecte fotografías antiguas ya que son particularmente sensibles al calor y la luz y van a dañarse.** Aquí también, haga una copia.
3. **Para evitar que las fotografías se enrollen, péguelas sobre una superficie rígida o hágalas montar en seco.**
4. **Cuando utilice el proyector, asegúrese de que el ventilador esté funcionando y que las rejillas de entrada de aire no estén obstruidas.** Cuando termine de trazar la foto proyectada, apague el proyector y retire la foto.

CONSEJOS Y TÉCNICAS

Copias de gran tamaño / Libros

Si el tamaño del original supera el área de copiado o si desea trabajar con el dibujo de un libro, simplemente retire la tapa del proyector, tirando hacia arriba con cuidado y quitando los dos pernos de pivote. Coloque el original o el libro sobre el proyector. De esta manera, si bien la lente seguirá registrando sólo un área de 18 x 18 cms (7 x 7 pulgadas), usted podrá desplazarlo y proyectarlo por secciones. Una vez que haya dibujado una sección, desplace la copia y vuelva a alinear la imagen proyectada con el punto terminal del área dibujada. Continúe con el trazado y repita el proceso cuantas veces sea necesario. La otra opción cuando el original es demasiado grande consiste en reducirlo en una fotocopiadora, de modo que no supere los límites del área de copiado de 18 x 18 cms (7 x 7 pulgadas).

Otro modo de trabajar con un original muy grande que no es posible manejar con facilidad sobre el proyector es apoyarlo sobre la mesa de trabajo con la imagen hacia arriba, retirar la tapa del proyector y colocar el equipo boca abajo sobre el documento a copiar. De esta manera, la copia permanecerá inmóvil y será más fácil alinear correctamente la imagen proyectada.

Objetos tridimensionales pequeños

Se pueden proyectar objetos tridimensionales pequeños retirando la tapa del proyector y colocando el objeto sobre el área de copiado. Para lograr una óptima nitidez de imagen, cubra el objeto con una caja para eliminar la luz ambiente (*la luz que escapa de la parte superior del proyector*). Para proyectar objetos tridimensionales cuyo tamaño supere el área de copiado de 18 x 18 cms (7 x 7 pulgadas), fotografíe el objeto y proyecte la foto. **PRECAUCIÓN:** *No coloque latas de aerosol u objetos presurizados sobre el proyector. Pueden explotar debido al calor de la superficie.*

Medición de las proyecciones

Para establecer una determinada escala de una imagen proyectada, coloque una regla de 16 cms. (6 pulgadas) junto al objeto a copiar o trace sobre la misma tablilla de copiado una grilla de 2,50 cms. (1 pulgada). Si se utilizan con frecuencia ampliaciones específicas de originales similares, marque el suelo con cinta adhesiva. Pegue trozos de cinta para señalar las distancias deseadas y anote el tamaño de la imagen directamente sobre la cinta para futura referencia (por ejemplo, 10x). Para obtener el tamaño deseado, luego simplemente alinee sobre las marcas de la cinta el carrito, la mesa o el pedestal de pie del proyector (ver la sección Accesorios de este manual).

Cómo minimizar la distorsión

Una imagen se distorsiona cuando el proyector no proyecta en ángulo recto (perpendicularmente) al plano receptor. Imagine la luz de una linterna sobre una pared. Si la linterna apunta hacia adelante en línea recta, la luz describirá un círculo perfecto. Si se inclina la linterna para formar un ángulo, ya sea hacia arriba o abajo o de derecha a izquierda, el círculo luz se distorsiona. El mismo concepto es aplicable a un proyector. Para minimizar la distorsión, mantenga siempre el proyector nivelado y la imagen enfocada en ángulo recto a la pared, tela o cualquier otra superficie vertical.

Usos comunes de los proyectores

La proyección artística ha sido utilizada en las artes plásticas desde el Renacimiento. La forma más antigua, el sistema de visión a través de un orificio de la cámara oscura, empleado para proyectar y visualizar imágenes, data del siglo XVI. Artograph le aporta a la tradición de la proyección artística los beneficios de la tecnología y la ingeniería de precisión del siglo XXI, y pone a disposición de los artistas, artesanos y diseñadores del presente una herramienta de trabajo indispensable.

EL PRISM TIENE UNA VARIEDAD DE USOS PRÁCTICAMENTE ILIMITADA...

ÚSELO PARA...

Agrandar

Es una forma fácil y rápida de ampliar y proyectar fotografías, impresiones, dibujos, diseños y bosquejos sobre casi todas las superficies.

Lograr la mejor composición

Acomode los elementos de una pintura, decida cuál será la mejor composición y visualice cómo queda un elemento adicional antes de plasmarlo en la superficie.

Definir los rasgos

Realce y defina los rasgos y la gama tonal cuando quiera pintar un retrato a partir de una fotografía o boceto.

Perfeccionar sus técnicas de dibujo

Trace los contornos de las imágenes proyectadas para mejorar la coordinación visomotora, analizar las perspectivas y aprender a dibujar mejor.

Pintar a gran escala

Dé rienda suelta a sus habilidades creativas y gane confianza para trabajar sobre murales y pinturas más grandes.

Lograr una buena reproducción

Transfiera una imagen precisa y reproducícala para hacer caricaturas, o decorar paredes, muebles, telas, cerámica, glaseados de tortas y casi cualquier superficie que pueda pintarse a mano.

Ahorrar tiempo

Cree pinturas y obras decorativas con mayor rapidez, tanto para divertirse como para obtener ganancias.

APLICACIONES

Bellas Artes

Artistas de todo tipo que utilizan una diversidad de medios encontrarán en el Prism un valor incalculable. Tanto las fotografías como las miniaturas de bosquejos, los dibujos y los diseños pueden ajustarse a escala y reproducirse en el tamaño necesario para hacer retratos y paisajes, naturalezas muertas y muchas otras formas de expresión artística.

Pintura decorativa

Los artistas y artesanos que decoran madera, piezas de metal o cerámica encontrarán en el Prism una herramienta ideal para visualizar la ubicación de los diseños o plantillas, ya sea sobre planchas de madera, muebles, vajilla, cajas de madera o casi toda otra superficie que quieran decorar.

Aerografía

Los artistas que pintan con aerógrafo sobre telas u otros medios encontrarán una gran utilidad en el Prism a la hora de hacer bocetos y calcular mejor la ubicación de la imagen. Proyecte la imagen, trace los contornos y colóree con el aerógrafo.

Ilustración

El Prism es indispensable para los ilustradores que deseen agrandar a escala sus miniaturas, logos y objetos tridimensionales pequeños.

Decoración de interiores

Los diseñadores y artesanos pueden trabajar con reproducciones, dibujos y plantillas partiendo de empapelado y telas, para transferirlos a paredes, muebles, lienzos o piezas de cerámica y alfarería y así obtener infinitas posibilidades decorativas.

Murales

Los artistas, artesanos y diseñadores pueden usar el Prism en la creación de atractivos murales y pinturas de gran tamaño para las habitaciones de niños, los vestíbulos, las puertas, las salas de estar, las oficinas y muchos espacios más. Proyecte a sus deportistas, animales o dibujos favoritos tomados de revistas o libros directamente sobre la pared, trace los contornos y colóree a su gusto.

Educación / Actividades escolares

Los maestros descubrirán una gran variedad de usos en el Prism al ampliar mapas, animales o constelaciones para que sus alumnos observen o dibujen. Con un proyector es muy fácil y rápido hacer afiches, carteles y escenografías para obras de teatro o actos escolares.

Letreros

Con el Prism todos podrán crear pancartas y letreros con suma facilidad. Proyecte letras de un libro o tipos de letras de la computadora para diseñar carteles de tiendas, impresos para fiestas, etc.

Trabajo en madera

Los talladores podrán transferir de un modo rápido dibujos, diseños, bosquejos e incluso fotos directamente sobre las piezas de madera. Se puede transferir mucho o poco detalle, según su gusto, sobre cualquier superficie de madera, para lograr un tallado más preciso y exacto.

Diseños para telas

Ya sea que usted confeccione acolchados, pinte sobre seda, trabaje con plantillas, sea diseñador o artesano o cualquier otro tipo de artista, usted puede usar el Prism para proyectar y manipular el tamaño de sus dibujos y diseños. Elija su diseño favorito para telas e incorpórelo a su tela o cubrecama.

MANTENIMIENTO

Lente

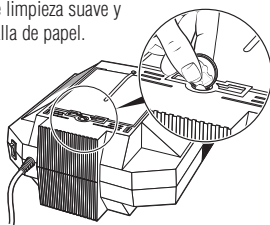
Limpie la lente con cualquier limpiador de lentes y un paño suave o papel para lentes. Aplique el limpiador en el paño –NUNCA lo aplique directamente sobre la lente, ya que podría filtrarse hacia el interior.

Espejo/Lámparas

Antes de limpiar el espejo o reemplazar las lámparas, desconecte el suministro eléctrico. Con una moneda o un destornillador afloje el tornillo de plástico ubicado cerca de la parte trasera del proyector próximo al vidrio superior. Retire el vidrio superior y déjelo a un lado.

ESPEJO – El Prism tiene un espejo especial de azogado anterior que elimina la doble imagen y realza el brillo. Con cuidado, limpie la superficie plateada con una solución de limpieza suave y un paño suave o toalla de papel. NO frote.

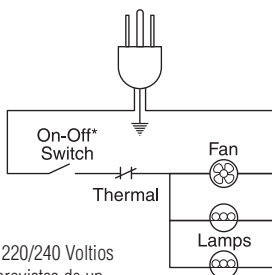
LÁMPARAS – Tanto el Prism funcionan con dos lámparas fotográficas ECA de 250 watts cada una. Puede obtener lámparas de repuesto de cualquier distribuidor Artograph, directamente de la fábrica o de su proveedor local de bombillas o cámaras fotográficas. Para solicitarlas directamente a Artograph, llámenos sin cargo (en Estados Unidos) al 1-888-975-9555, envíe por correo el formulario de pedido de piezas de repuesto incluido o visite nuestra página en internet: www.artograph.com.



ADVERTENCIA: Nunca utilice lámparas que excedan los 250 watts (se pueden usar lámparas de 275 vatios en el Reino Unido y Australia).

ESQUEMA ELÉCTRICO

**Prism 120v
CA 60 Hz,
4,7 amps**

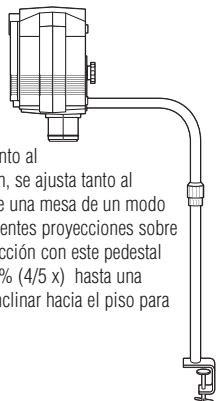


- Las unidades de 220/240 Voltios CA 50 Hz están provistas de un cableado que permite apagar ambos conductores de entrada con el mismo interruptor.

ACCESORIOS

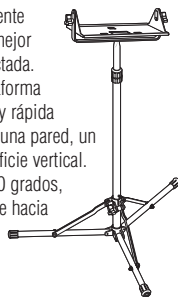
Pedestal de mesa Prism (n° 225-206)

El pedestal de mesa Prism, diseñado para adaptarse tanto al Prism como al Super Prism, se ajusta tanto al proyector como al borde de una mesa de un modo fácil y seguro para convenientes proyecciones sobre la mesa. El rango de proyección con este pedestal es de una reducción al 80% (4/5 x) hasta una ampliación 3x. Se puede inclinar hacia el piso para brindar un rango de tamaño mayor.



Pedestal de pie para proyector (n° 225-350)

Este pedestal regulable y resistente está diseñado para lograr una mejor colocación de la imagen proyectada. Trae incorporada una gran plataforma ajustable que permite una fácil y rápida colocación del proyector sobre una pared, un caballete o cualquier otra superficie vertical. La plataforma puede girarse 360 grados, inclinarse 15 grados de adelante hacia atrás y elevarse de 3 pies a 4 1/2 pies de altura.



OTROS PRODUCTOS ARTOGRAPH

Cabinas para rociado

Artograph fabrica una línea completa de sistemas para rociado que reducen la suciedad y los peligros asociados con materiales pulverizados, tales como pinturas, fijadores y adhesivos, atrapando y filtrando de un modo eficaz los residuos y los gases tóxicos del aerosol.

Cajas de luz

Artograph ofrece una amplia gama de cajas de luz de diversos tamaños que brindan una superficie de trabajo convenientemente inclinada e incluyen una práctica bandeja empotrada para herramientas. Es ideal para diseños a contraluz, dibujos y plantillas para rotulación, grabado en relieve, costura, confección de cubrecamas, álbumes de recortes, tarjetas personalizadas, caricaturas, letras y muchas otras aplicaciones de dibujo o visualización.

GARANTÍA

Asegúrese de completar y enviar por correo el formulario de registro de garantía incluido. También puede registrar su Prism en internet a través de nuestra página www.artograph.com.

Los proyectores Artograph vienen garantizados contra cualquier defecto de fabricación o de los materiales por un período de cinco años a partir de la fecha de venta a su comprador original. Cualquier parte del equipo que resulte defectuosa luego de una instalación y uso normales será reparado o reemplazado sin costo adicional por mano de obra o materiales de fábrica, siempre y cuando se devuelva el equipo a nuestra fábrica con gastos de envío prepagos dentro del período de la garantía. PÓNGASE EN CONTACTO CON NUESTRAS OFICINAS PARA SOLICITAR LA AUTORIZACIÓN DE DEVOLUCIÓN. La presente garantía no cubre equipos que hayan sido sometidos a abusos, accidentes o alteraciones. Tampoco cubre equipos que se hayan instalado de forma incorrecta o conectado sin observar las instrucciones impresas provistas. Se recomienda completar el formulario de registro de garantía y devolverlo de forma inmediata para asegurar el servicio de garantía. También puede registrar su producto Artograph en internet a través de nuestra página: www.artograph.com.

PIEZAS:

- Lente Prism200-728
- Junta tórica de retención.....151-571 (sólo para lentes Prism)
- Interruptor de alimentación145-306
- Cable de alimentación145-347
- Espejo108-023
- Dos lámparas de 250 vatios.....106-043
- Tapa151-523
- sujetador del vidrio superior151-570
- Vidrio superior108-045
- Pivote derecho de tapa.....151-565
- Pivote izquierdo de tapa.....151-564

MANUEL PRISME

MERCI pour votre achat d'un projecteur Artograph. La série Prisme a été conçue dans l'esprit de l'énoncé de mission de notre entreprise, soit «Fournir des produits comportant le meilleur rapport qualité prix dans les marchés du jouet, de l'artisanat et de l'art de création, favorisant ainsi la créativité et la productivité de nos clients.»

Grâce à votre nouveau Prisme, le processus de création deviendra un vrai plaisir. Il vous fera gagner un temps précieux au niveau du dessin et de la composition, vous permettant ainsi de vous concentrer sur la peinture et le coloriage. Cet appareil vous ouvrira des horizons nouveaux en matière de méthodes de travail – que ce soit au moyen de nouveaux médias ou d'originaux. Grâce à Prisme vous pourrez créer et recréer votre pièce finale d'innombrables façons.

DISPOSITIFS DE PROTECTION IMPORTANTS

Pendant l'utilisation de ce projecteur, il est important de toujours observer les précautions de sécurité suivantes :

1. Lire et comprendre toutes les consignes avant de mettre l'appareil en marche.
2. Une étroite supervision est nécessaire pendant l'utilisation par des enfants ou lorsqu'ils se trouvent à proximité. Ne pas laisser sans surveillance pendant l'utilisation.
3. Ne pas faire fonctionner cet appareil sans une inspection préalable par un électricien qualifié si le cordon électrique est endommagé, si l'appareil est tombé par terre ou s'il a subi des dommages quelconques.
4. Lorsqu'une rallonge électrique est nécessaire, s'assurer qu'elle possède un courant nominal convenable. Une rallonge électrique présentant un courant nominal à intensité inférieure à celui de l'appareil utilisé risquerait d'entraîner une surchauffe. Veiller à bien disposer la rallonge de manière à ce que personne ne trébuche ou tire dessus accidentellement.
5. Toujours débrancher l'appareil entre les utilisations. Déconnecter en tirant la fiche de la prise. Ne jamais tirer sur le cordon électrique pour débrancher l'appareil.
6. Laisser le projecteur se refroidir complètement avant de le déplacer. Avant de procéder au rangement, enrouler le cordon sans le serrer
7. Si le projecteur subit un endommagement causé par un liquide, ne pas l'utiliser avant qu'il soit inspecté par un électricien qualifié.
8. Pour éviter les chocs électriques, ne pas démonter. Faire inspecter le projecteur par un électricien qualifié. Un réassemblage incorrect peut entraîner des chocs électriques.

CONSERVEZ CES CONSIGNES

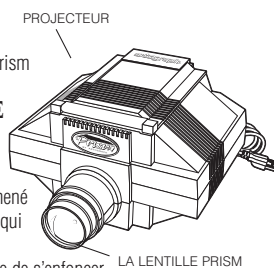
MONTAGE ET FONCTIONNEMENT

CONTENU :

Projecteur + La Lentille Prism

INSTALLATION DE LA LENTILLE :

L'anneau de caoutchouc « O » (no 2) doit être ramené à l'extrémité de la lentille qui ressort du projecteur. Cet anneau empêche la lentille de s'enfoncer trop profondément dans le barillet.



ZONE DE PROJECTION

Tous les projecteurs opaques fonctionnent comme une lampe de poche. Plus la pièce est sombre, plus l'image projetée est claire. Les images les plus éclatantes et les plus claires sont produites dans une chambre noire. Pour obtenir les meilleurs résultats, utilisez Prisme dans une pièce où vous êtes en mesure de contrôler la lumière ou encore travaillez le soir. Pour réaliser la taille d'image maximale d'environ 20 fois la taille de l'original, une distance minimale de 5,5 m (18 pi) est nécessaire. Cette distance est mesurée à partir de l'étiquette située au-dessus de la lentille jusqu'à la surface de projection. (Consultez le diagramme pour de plus amples renseignements.)

Montez le projecteur sur une surface qui peut être facilement déplacée. La mobilité du projecteur est nécessaire pour réaliser la taille souhaitée. Il est recommandé d'utiliser un tabouret ou un chariot. Artograph offre en option un pied de projecteur, article no 225-350, qui peut être facilement déplacé et soulevé pour un positionnement impeccable de l'image.

PROJECTION DE L'IMAGE

Pour charger le projecteur, il suffit de soulever le couvercle du plateau du projecteur et de poser votre copie à l'envers sur la surface en verre. La pince en métal peut être déplacée sur le côté au besoin puisqu'elle n'est nécessaire que lors du montage du projecteur sur le support de table, article no 225-206. Fermez le couvercle, branchez le projecteur dans une prise de courant et mettez le projecteur en marche au moyen de l'interrupteur situé à l'arrière de l'appareil. Éteignez les lumières. Vous êtes maintenant fin prêt pour régler la taille et la clarté de l'image projetée. Réglez toujours la taille de l'image projetée avant la mise au point. (Reportez-vous au diagramme pour la distance approximative.)

Mise en garde : Pendant le fonctionnement, assurez-vous que le projecteur bénéficie d'une ventilation adéquate. N'obstruez pas la voie d'échappement ou les bouches de ventilation situées à l'arrière et sur les côtés du projecteur.

GÉNÉRALITÉS SUR LA MISE AU POINT ET L'AGRANDISSEMENT

La taille et la clarté de l'image projetée dépendent de la distance du projecteur par rapport à la surface de projection et la mise au point de la lentille. Plus le projecteur est éloigné de la surface de travail, plus l'image est grande. Lorsque vous modifiez la distance, il est nécessaire de déplacer la lentille vers l'intérieur ou l'extérieur dans le barillet de lentille afin d'effectuer la mise au point de l'image projetée.

Prisme effectue tant l'agrandissement que la réduction au moyen d'une lentille réversible. L'étendue de projection de cette lentille correspond à une réduction de 80 % (4/5 x) (20 % plus petit que la taille de votre original), jusqu'à un grossissement de 20 fois.

Nota : Il y a un écart dans l'étendue de projection qui ne peut être réalisé en raison de l'inversement de la lentille – 170 % à 250 %. Il vous faudra rectifier la taille de votre original pour réaliser un format de cette étendue.

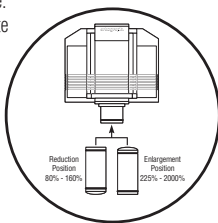


Diagramme de la distance (approximation) – Mesurée à partir de l'étiquette située au-dessus de la lentille jusqu'à la surface de projection.

Portée	0,8	1 x	5 x	10 x	20 x
Distance	24 po (61 cm)	23 po (58 cm)	47 po (1,2 m)	89 po (2,3 m)	14 pi (4,3 m)
	[Lentille en position de réduction]		[Lentille en position d'agrandissement]		

ZONE DE LA COPIE

La zone de la copie sur les deux projecteurs est de 18 x 18 cm. (7 x 7 po.) Cela correspond à la taille maximum de copie que la lentille est en mesure de voir. Ce format de copie varie toutefois selon la taille de projection souhaitée. Avec un agrandissement supérieur, la lentille voit une portion plus petite de la zone de copie.

PROJECTION DE PHOTOGRAPHIE (ATTENTION !)

On utilise couramment les photographies dans les projecteurs, toutefois, quelques précautions s'imposent :

1. **Travail à partir d'un exemplaire de photographie importante ou précieuse.** N'utilisez jamais un original s'il ne peut être remplacé. Les photos ne sont pas faites pour être manipulées sous lumière et chaleur intenses générées par un projecteur. Bien que ce projecteur soit refroidi au moyen d'un système de ventilation pour maintenir l'exemplaire au frais, la température peut augmenter et il est possible que les photos soient affectées par la chaleur et la lumière.
2. **Ne projetez jamais de vieilles photographies puisqu'elles sont particulièrement sensibles à la chaleur et à la lumière et elles s'en trouveront endommagées.** Encore une fois, faites-en une copie.
3. **Afin que les photographies ne gondolent pas, montez-les sur un support rigide ou placez-les dans un encadrement.**
4. **Pendant la projection, assurez-vous que la ventilation est en marche et que les bouches d'aération ne sont pas obstruées.** Lorsque vous avez terminé de tracer les pourtours de l'image de la photo projetée, éteignez le projecteur et enlevez la photo.

CONSEILS & TECHNIQUES

Copie surdimensionnée/Livres

Lorsque votre original est plus grand que ce que peut contenir la zone de copie, ou encore lorsque vous travaillez à partir d'une image dans un livre, il vous suffit d'enlever le couvercle du projecteur en tirant la partie supérieure avec soin et en enlevant les deux pivots. Placez la copie ou le livre sur le projecteur. La lentille ne verra toujours qu'une portion de 18 x 18 cm. (7 x 7 po.) de cette copie, mais en la disposant sur la partie supérieure, cela vous permet de la déplacer et de la projeter par section. Une fois que vous avez dessiné une section, déplacez la copie et réalignez l'image projetée jusqu'au point d'arrêt de la zone tracée. Reprenez le traçage et recommencez autant de fois que cela est nécessaire. L'autre alternative dans le cas où la copie serait surdimensionnée consiste à réduire la taille de l'original au moyen d'une photocopieuse de manière à ce qu'elle puisse tenir dans la zone de copie de 18 x 18 cm. (7 x 7 po.).

Une autre façon d'utiliser une copie surdimensionnée qui ne tient pas sur la partie supérieure du projecteur consiste à placer la copie tournée vers le haut sur une table, enlever le couvercle du projecteur et placer le projecteur à l'envers par-dessus la copie. De cette manière, la copie demeure rigide et votre image projetée s'alignera plus facilement.

Petits objets à 3 dimensions

Les petits objets à 3 dimensions peuvent être projetés en enlevant le couvercle du projecteur et en plaçant l'objet sur la surface de copie du projecteur. Pour assurer une clarté maximale de l'image, placez une boîte sur l'objet afin d'empêcher la lumière ambiante de pénétrer (*lumière qui s'échappe par le dessus du projecteur*). Pour projeter des objets à 3 dimensions qui sont plus grands que la surface de copie de 18 x 18 cm. (7 x 7 po.), prenez l'objet en photo et projetez le tirage. **MISE EN GARDE:** *Ne montez pas de bombe aérosol ni d'objet pressurisé sur le projecteur. La surface chaude peut les faire éclater.*

Mesures des projections

Pour déterminer l'échelle particulière d'une image projetée, montez une règle de 16 cm. (6 po) à côté de la copie ou tracez un quadrillage de 2.5 cm. (1 po) sur le plateau. Lorsque vous utilisez fréquemment des agrandissements spécifiques à partir d'originaux communs, marquez le sol au moyen de ruban adhésif. Positionnez le ruban adhésif aux distances souhaitées et marquez la taille de l'image directement sur le ruban adhésif pour référence ultérieure (p. ex. 10 x). Il vous suffit ensuite d'aligner le chariot, le pied du projecteur (*lire la section Accessoires du présent manuel*), ou la table par rapport à la marque de ruban adhésif pour réaliser ce format.

Minimisation de la distorsion

La distorsion provient largement du fait que le projecteur ne projète pas perpendiculairement sur la surface visée. Imaginez que vous dirigez une lampe de poche contre un mur. Lorsque la lampe de poche éclaire droit devant, la lumière forme un cercle parfait. Lorsque la lampe de poche est tournée pour que la lumière forme un angle, que cela soit vers le haut ou vers le bas et de gauche à droite, le cercle de lumière subit une distorsion. Le même concept s'applique dans le cas d'un projecteur. Pour minimiser la distorsion, maintenez le projecteur à niveau et l'image directement vers le mur, le canevas ou une autre surface verticale.

Utilisation courante des projecteurs

La projection est utilisée en peinture depuis la Renaissance. La forme la plus ancienne de système de visionnement par trou d'épingle en chambre noire, utilisée pour projeter et visualiser les images, remonte au XVIe siècle. Artographe allie les avantages de la technologie et de l'ingénierie de précision du XXIe siècle à la tradition de la projection en art, et fournit aux artistes, artisans et décorateurs d'aujourd'hui un outil indispensable dans cette discipline.

PRISME POSSÈDE UNE PALETTE PRATIQUEMENT ILLIMITÉE D'USAGES...

UTILISEZ-LE POUR...

Augmenter la taille

La façon rapide et facile d'agrandir et de projeter des photographies, tirages, motifs, dessins et croquis sur pratiquement n'importe quelle surface.

Trouver la meilleure composition

Disposez les éléments d'un tableau, déterminez la meilleure composition et visionnez une forme supplémentaire dans le tableau avant de l'introduire sur la surface.

Définir les formes

Rehaussez et définissez les formes et la portée des tons dans un portrait à partir d'une photo ou d'un croquis.

Raffiner vos aptitudes au dessin

Tracez les pourtours d'images afin d'améliorer la coordination entre la main et l'œil, de comprendre la perspective et d'apprendre à mieux dessiner.

Peindre à plus grande échelle

Libérez vos aptitudes créatrices et prenez plus d'assurance pour travailler sur de plus grands tableaux, voire des peintures murales.

Reproduire vos succès

Transférez une image reproduite pour la bande dessinée ou décorez des murs, des meubles, des tissus, de la poterie, le glaçage à gâteau – en fait, à peu près n'importe quelle surface à peindre à la main.

Gagner du temps

Produisez des tableaux et de l'art décoratif plus rapidement, tant pour le plaisir que le profit !

APPLICATIONS

Beaux-arts

Les grands artistes de tous horizons qui font appel à de nombreux types de média reconnaissent la valeur inestimable de Prisme. Photographies, croquis, oeuvres d'art et dessins peuvent tous être mis à une échelle différente et reproduits à la taille souhaitée afin de réaliser des portraits, des paysages, des natures mortes et de nombreuses autres formes d'expression artistique.

La peinture décorative

Les artistes et artisans qui créent sur le bois, les pièces de métal ou la céramique qualifient Prisme comme l'outil idéal pour visualiser la disposition de leur motif ou pochoir, que ce soit sur des plaques en bois, des meubles, de la vaisselle, des boîtes ou à peu près n'importe quelle surface à décorer.

Teinture par pulvérisation

Les artistes qui effectuent la teinture par pulvérisation sur les tissus ou tout autre médium trouvent Prisme utile puisque que cela leur procure un pourtour et une position de l'image. Projetez l'image, tracez le pourtour et introduisez la teinture par pulvérisation.

Illustration

Prisme est l'outil indispensable des illustrateurs pour mettre leurs crayonnages, logos et petits objets à 3 dimensions à plus grande échelle.

Décoration intérieure

Les décorateurs et les artisans peuvent travailler avec les répétitions de dessin, les patrons et les pochoirs de papier peint et de tissu à transférer aux murs, meubles, canevas ou pièces de poterie et de céramique pour une multitude de possibilités en décoration.

Murales

Les artistes, artisans et décorateurs peuvent faire appel à Prisme pour créer des peintures murales inspirées et des tableaux de grande taille pour les chambres d'enfants, les vestibules, les portes, les salles de séjour, les bureaux et plus encore. Projetez l'image de vos sportifs, animaux ou thèmes préférés directement à partir de magazines ou de livres sur le mur, en traçant et en coloriant à volonté.

Éducation/travail en classe

Les enseignants sont à même de découvrir toute une gamme d'usages de Prisme en agrandissant des cartes géographiques, des animaux ou des constellations pour le visionnement ou le traçage par les étudiants. Affiches pour l'école, enseignes ou décors pour les pièces de théâtre sont exécutées rapidement et facilement au moyen d'un projecteur.

Affichage

N'importe qui peut créer des enseignes et des écriteaux sans peine grâce à Prisme. Projetez le lettrage à partir d'un livre ou de polices imprimées au moyen d'un ordinateur pour concevoir des enseignes de magasin, des banderoles de partis, etc.

Travail du bois

Les ciseleurs peuvent rapidement transférer leurs motifs, conceptions, croquis, voire leurs photos, directement sur des pièces en bois. On peut transférer peu ou beaucoup de détails sur toute surface en bois afin de rendre la gravure plus précise ou plus exacte.

Motifs sur tissu

Les courtpointiers, les peintres sur soie, les artistes au pochoir et de nombreux autres types de décorateurs et d'artisans qui travaillent le tissu peuvent faire appel à Prisme pour projeter et manipuler la taille de leurs motifs et dessins. Choisissez votre motif préféré pour tissu et incorporez-le à votre courtpointe ou tissu.

ENTRETIEN DU PROJECTEUR

Lentille

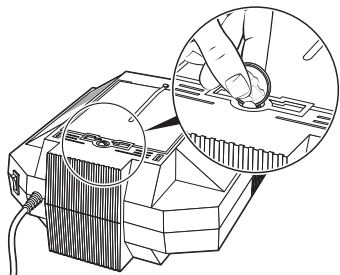
Nettoyez les lentilles au moyen de n'importe quel nettoyant pour lentille et un linge doux ou papier optique. Mettez le nettoyant sur le linge. N'appliquez JAMAIS de nettoyant directement sur la lentille, car le liquide pourrait s'infiltrer dans l'objectif.

Miroir/Lampes

Pour nettoyer le miroir ou remplacer les lampes, commencez par déconnecter l'alimentation électrique.

À l'aide d'une pièce de monnaie ou d'un tournevis, dévissez la vis en plastique située à l'arrière du projecteur à côté de la vitre supérieure. Enlevez la vitre supérieure et mettez-la de côté.

MIROIR – Prisme possède un miroir à surface avant spéciale qui élimine l'image dédoublée et augmente la luminosité. Nettoyez la surface argentée avec soin à l'aide d'une solution de nettoyant doux et d'un mouchoir ou d'un linge doux. NE récurez PAS.



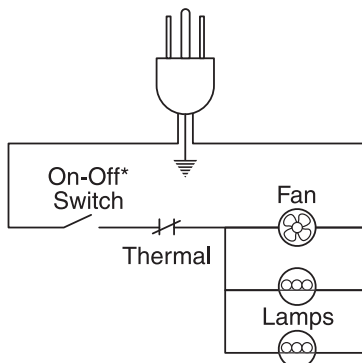
LAMPES – Prisme font chacun appel à deux lampes photographiques ECA de 250 watts. Vous pouvez commander des lampes de rechange auprès d'un détaillant Artograph ou directement auprès de notre usine chez un fournisseur d'ampoules ou dans une boutique d'appareils photo. Pour commander directement auprès d'Artograph, contactez-nous sans frais en composant le 1 888 975-9555, mettez à la poste le formulaire de commande de pièce joint ou encore visitez notre site internet à www.artograph.com.

MISE EN GARDE : N'utilisez jamais de lampe de plus de 250 watts (des lampes de 275 watts peuvent être utilisées au Royaume Uni et en Australie).

SCHÉMA ÉLECTRIQUE

Prisme 120 v CA 60 Hz, 4,7 ampères

- Les appareils de 220/240 volts CA 50 Hz sont dotés d'un câblage permettant de stopper l'alimentation de chacun des deux fils de connexion entrants au moyen de l'interrupteur.



ACCESSOIRES

Pied pour table de Prisme (no 225-206)

Conçu pour une utilisation avec les projecteurs Prisme, le pied pour table de Prisme et Super Prisme se fixe aisément de manière sûre au projecteur et à tout rebord de table pour permettre une projection pratique à partir d'un dessus de table. La portée de projection avec ce pied va de la réduction à 80 % (4/5 x) jusqu'à l'agrandissement de 3 x. Il pivote au sol, pour une portée d'agrandissement accrue.



Support de plancher pour projecteur (no 225-350)

Support robuste réglable conçu pour aider au positionnement de l'image projetée. Le support incorpore une grande plate-forme réglable qui permet un positionnement facile et rapide du projecteur sur un mur, un chevalet ou toute autre surface verticale. La plate-forme peut effectuer des rotations de 360 degrés, s'incliner de 15 degrés de l'avant vers l'arrière et s'élever de 1,15 m à 1,50 m (3 pi à 4 1/2 pi) en hauteur.



AUTRES PRODUITS ARTOGRAPH

Cabines de pulvérisation

Artograph fabrique une gamme complète de systèmes de pulvérisation qui réduisent le nettoyage et les dangers associés aux matériaux de pulvérisation comme les peintures, les fixatifs et les adhésifs en captant et en filtrant de manière efficace les excédents de pulvérisation et de vapeurs.

Caissons lumineux

Artograph fabrique une gamme complète de caissons lumineux de diverses tailles qui comportent une surface de travail inclinée pratique et un plateau à outils en retrait. Parfait pour les dessins en contre-jour, les motifs et les pochoirs pour le gaufrage, la couture, la courtpointe, le montage d'album-souvenir, les cartes personnalisées, la bande dessinée, le lettrage et nombre d'autres applications de traçage et de visionnement.

GARANTIE

Veuillez remplir et poster la fiche de garantie jointe. Vous pouvez également inscrire votre Prisme en ligne à www.artograph.com.

Les projecteurs Artograph comportent une garantie contre tout défaut de matériel et de main d'œuvre pendant cinq ans à partir de la date de l'achat par l'acquéreur d'origine. Toute pièce de matériel qui devient défectueuse en contexte d'installation et d'utilisation normales sera réparée ou remplacée sans frais en ce qui a trait au travail en usine et aux matériaux à condition que le matériel soit retourné en port prépayé à notre usine au cours de cette période. COMMUNIQUEZ AVEC NOTRE BUREAU POUR UNE AUTORISATION DE RETOUR. Cette garantie ne s'applique pas au matériel ayant subi un mauvais usage, un accident ou une altération, ni au matériel installé incorrectement ou qui a fait l'objet d'un câblage en violation des consignes imprimées fournies. La fiche de garantie doit être remplie et retournée immédiatement après l'achat afin d'assurer la garantie de service. Vous pouvez également inscrire votre produit Artograph en ligne à www.artograph.com.

LISTE DES PIÈCES :

1. Lentille Prisme200-728
2. Anneau de retenue151-571 (lentille Prisme uniquement)
3. Interrupteur145-306
4. Cordon d'alimentation145-347
5. Miroir108-023
6. Lampes, deux de 250 watts106-043
7. Couverture151-523
8. Pince151-570
9. Vitre supérieure108-045
10. Pivote de couvercle droit151-565
11. Pivote de couvercle gauche151-564