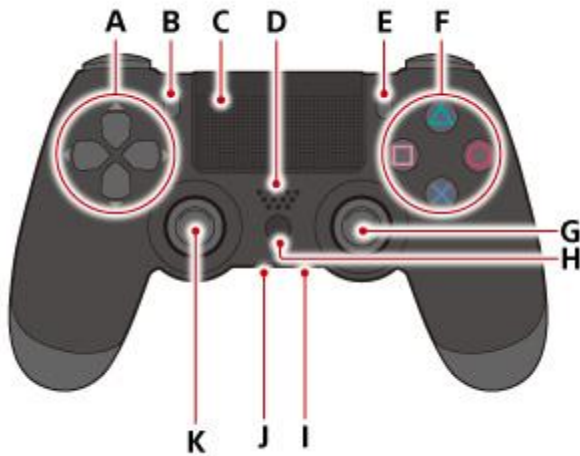


DUALSHOCK™4 wireless controller

Here is some basic information about use of the controller. For more details about use of the controller, see "[Using the wireless controller](#)".

Front



- A)
Directional buttons
- B)
SHARE button
- C)
Touch pad/Touch pad button
Press the touch pad to use the touch pad button.
- D)
Speaker
- E)
OPTIONS button
- F)
△button/○ button/× button/□ button
- G)

Right stick/R3 button

Press down on the stick to use it as the R3 button.

H)

PS button

I)

Stereo headset jack

J)

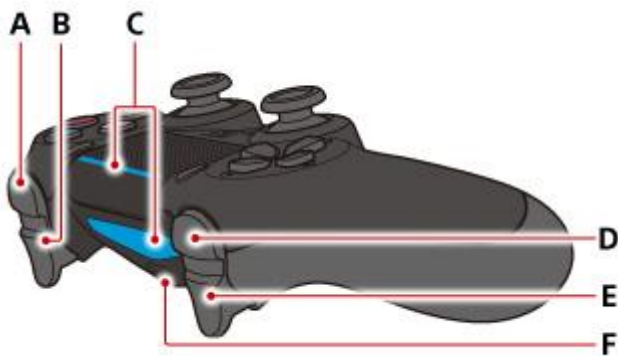
Extension port

K)

Left stick/L3 button

Press down on the stick to use it as the L3 button.

Top



A)

R1 button

B)

R2 button

C)

Light bar

The light bar on the touch pad does not glow on the CUH-ZCT1 series.

D)

L1 button

E)

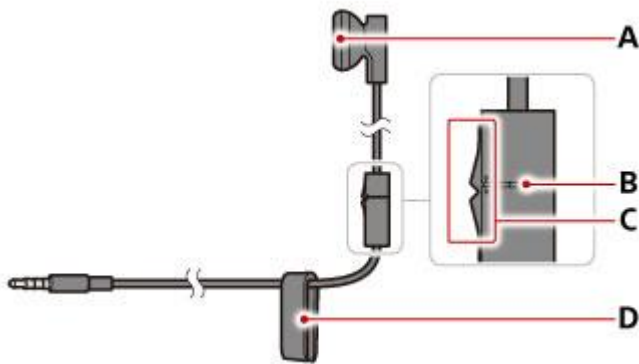
L2 button

F)

USB port

Mono headset

Plug the mono headset into the stereo headset jack on the controller.



A)

Earpiece

B)


Microphone

C)

MIC switch

D)

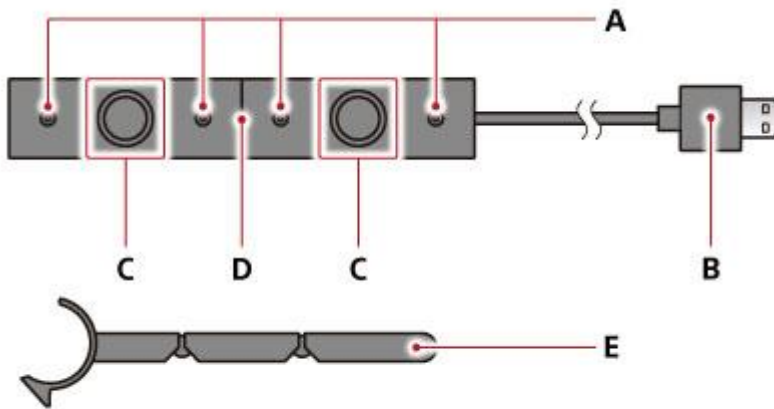
Clip

- When you're using the microphone, you should attach the clip to your clothing.
- To adjust the microphone level or configure other audio settings, select  (Settings) > [Devices] > [Audio Devices].

PlayStation®Camera

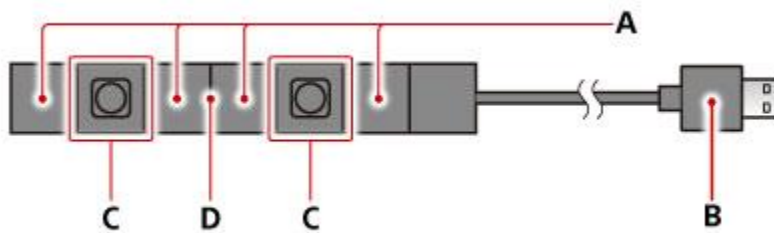
Use the PlayStation®Camera to play camera-enabled games. You can also log in to your PS4™ system using face recognition.

CUH-ZEY2 series




- A)
Microphone array
- B)
AUX connector
- C)
Dual lenses
- D)
Status indicator
- E)
Stand

CUH-ZEY1 series

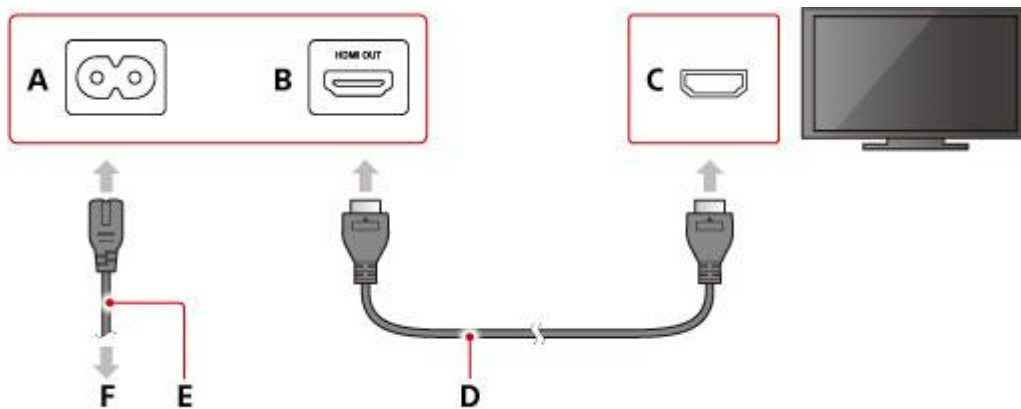


- A)
Microphone array
- B)
AUX connector
- C)
Dual lenses
- D)
Status indicator

- The camera might not be included with your system, depending on country, region, and model.
- Connect and install the camera as described in the instruction manual for the camera.
- To configure camera and microphone settings, select  (Settings) > [Devices] > [PlayStation Camera].

Connecting and installing

Connect your PS4™ system to your TV.
Make all connections before plugging the AC power cord into an electrical outlet.



- A)
AC IN connector (PS4™ system)
Connector shape varies depending on your PS4™ system.
- B)
HDMI OUT port (PS4™ system)
- C)

HDMI input port (TV)

D)

HDMI cable

E)

AC power cord

Connector shape varies depending on your PS4™ system.

F)

To an electrical outlet

When you're going to use your PS4™ system in the vertical position, attach the vertical stand (sold separately).

Connecting to the Internet

You can use either Wi-Fi or a LAN (Ethernet) cable to connect your PS4™ system to the Internet. See "[Set Up Internet Connection](#)" to set up the connection. Make sure you have a LAN cable when you don't plan to use Wi-Fi.

Connection example:



A)

LAN port (PS4™ system)

B)

LAN cable

C)

Router

D)

Internet connectivity device such as a modem

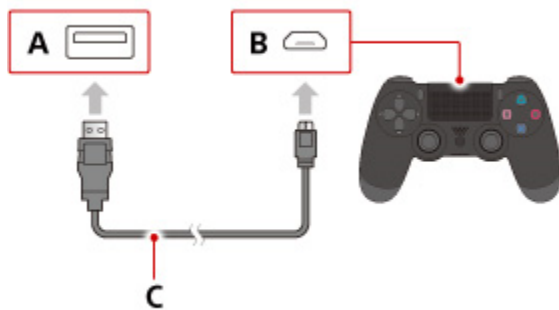
E)

To the Internet

Devices and connection methods required for a network connection vary depending on how your network is set up. Be sure to also refer to the instructions supplied with your network devices.

Connecting the controller

Connect the controller with a USB cable to pair it with your system.



A)

USB port (PS4™ system)

B)

USB port (controller)

C)

USB cable

Turning your PS4™ system on and off

Turning on your system

You can turn on your PS4™ system in either of the following ways.

- Press the power button.
- Press the PS button on a paired controller.

The power indicator blinks blue and then turns white to let you know your system is on.


Turning off your system

Notice

Disconnect the AC power cord from the electrical outlet only when the power indicator is off. If you disconnect it while the power indicator is lit or blinking, data might be lost or corrupted, and you might damage your system.


Putting your system in rest mode

When your PS4™ system is in rest mode, it keeps operating, but at a lower power consumption. You can set the system to download files and charge a controller while it's in rest mode. You can put your PS4™ system in rest mode using any of these methods.

- Select  (Power) from the function screen, and then select [Enter Rest Mode].
- Select [Power] > [Enter Rest Mode] on the quick menu.
- Press and hold the power button until the system beeps.


When your PS4™ system enters rest mode, the display darkens. The power indicator blinks white, and then turns orange.

To exit rest mode, turn on your system.


- To put your system in rest mode, you must select the checkboxes for the options in  (Settings) > [Power Save Settings] > [Set Features Available in Rest Mode].
- If [Enter Rest Mode] does not appear, select [Power Options] > [Enter Rest Mode].
- When an upload or download starts or finishes, the power indicator blinks orange.

Turning off the power completely

You can turn off your PS4™ system in any of these ways.

- Select  (Power) from the function screen, and then select [Turn Off PS4].
- Select [Power] > [Turn Off PS4] on the quick menu.
- Press and hold the power button for at least 7 seconds (until the system beeps twice).

When you turn off your system, the display darkens, the power indicator blinks white, and then turns off.

- If [Turn Off PS4] does not appear, select [Power Options] > [Turn Off PS4].
- With the default settings, your PS4™ system will automatically enter rest mode or turn off when it hasn't been used for a certain period of time. If an application is active, such as when a video is playing, the system might not automatically enter rest mode or turn off. To change the setting, select  (Settings) > [Power Save Settings] > [Set Time Until PS4 Turns Off] from the function screen, and then select [Media Playback] or [General (Applications)].
- When you turn off your system or put your system in rest mode, all users are logged out.