

SAFETY GUIDELINES / DEFINITIONS

This instruction manual is intended for your benefit. Please read and follow the safety, installation, maintenance and troubleshooting steps described within to ensure your safety and satisfaction. The contents of this instruction manual are based upon the latest product information available at the time of publication. The manufacturer reserves the right to make product changes at any time without notice.

⚠ WARNING: Read and understand this entire instruction manual before attempting to assemble, install, operate or maintain this stool. Failure to comply with the instructions may result in serious personal injury and/or property damage!

The following signal words are used to emphasize safety warnings that must be followed when using this stool:

⚠ DANGER Indicates an imminently hazardous situation that, if not avoided, WILL result in death or serious injury.

⚠ CAUTION Indicates a potentially hazardous situation that, if not avoided, MAY result in minor or moderate injury.

⚠ WARNING Indicates a potentially hazardous situation that, if not avoided, COULD result in death or serious injury.

⚠ NOTICE Indicates important information, which if not followed, MAY cause damage to equipment.

UNPACKING AND INSPECTION

After opening the carton, unpack your stool and related parts & accessories. Please inspect it carefully for any damage that may have occurred during transit. Please check it against the photograph on carton.

⚠ WARNING DO NOT operate this stool if damaged during shipment, handling or misuse. Do not operate the stool until the parts have been replaced or the fault rectified. Failure to do so may result in serious personal injury or property damage. All damaged parts must be repaired or replaced as needed prior to operating this stool. Check to see that all nuts, bolts and fittings are secure before putting this stool into service.

Please have the serial number, model number, and date of purchase available for reference when calling.

SPECIFICATIONS

Capacity: 300 lbs.
Tool Tray:..... 15 in. diameter x 7/8 in. deep
Ram Extension: 5 in.
Casters: 2 1/2 in.
Seat:..... 14-1/ in. wide seat with 5-1/2 in. high seat back

Specifications are subject to change without notice.

IMPORTANT SAFETY INFORMATION

⚠ WARNING
READ, UNDERSTAND AND FOLLOW ALL INSTRUCTIONS AND WARNINGS BEFORE OPERATING THIS EQUIPMENT. FAILURE TO DO SO MAY RESULT IN PERSONAL INJURY AND/OR PROPERTY DAMAGE AND WILL VOID WARRANTY.

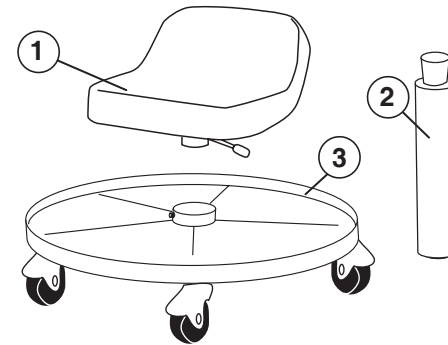
- DO NOT exceed rated capacity. Overloading the stool or tray can cause damage to or failure of the stool.
- Use only on hard, level surface capable of sustaining the load. Use of stool on other than hard level surfaces can result in stool instability.
- DO NOT stand on stool. Serious injury can result if the tool tips over or you accidentally come in contact with the stool.
- DO NOT expose to heat. Parts of the unit are under pressure.
- Do not alter this product in any way.
- Keep your work area clean and well lit. Cluttered work areas invite accidents.
- Keep bystanders, children, and visitors away while operating stool. Distractions can cause you to lose control.
- Stay alert. Watch what you are doing, and use common sense when operating a stool. Do not use a stool while tired or under the influence of drugs, alcohol or medication. A moment of inattention while operating stool may result in serious personal injury.
- Store idle stool out of reach of children and other untrained persons. Stools are dangerous in the hands of untrained users.
- Stool service must be performed only by qualified repair personnel.

Service or maintenance performed by unqualified personnel could result in a risk of injury.

- When servicing a stool, use only identical replacement parts - refer to attached, product-specific parts list and diagram. Follow instructions in the Care & Maintenance section of this manual. Use of unauthorized parts or failure to follow maintenance instructions may create a risk of injury and may void any applicable warranty.
- Maintain labels and nameplates on the stool. These carry important information. If unreadable or missing, contact Performance Tool for a replacement.
- The warnings, precautions, and instructions discussed in this manual cannot cover all possible conditions and situations that may occur. The operator must understand that common sense and caution are factors, which cannot be built into this product, but must be supplied by the operator.

WARNING: This product and its packaging contain a chemical known to the State of California to cause cancer, birth defects, or other reproductive harm.

PACKAGING CONTENTS



#	Description	Quantity
1	Seat Cushion with Lifting Lever	1
2	Lifting Unit	1
3	Tool Tray Assembly (5 pc 2-1/2 casters attached)	1

PACKAGING CONTENTS

- Adjustable wrench
- Hammer and block of wood or rubber mallet
- slotted screwdriver

ASSEMBLY INSTRUCTIONS

- Remove parts from box and inspect carefully for any damage that may have occurred during transit.
- MAKE SURE** the tray is on a firm surface with the wheels down. Insert the lifting unit (B) into the tool tray hole (C). The bigger end of the lifting unit (B) is the end that inserts into the tool tray hole (C). It might be necessary to seat the lifting unit (B). Do this by holding a block of wood over the top of the lifting unit and gently tapping with hammer to seat the lifting unit. **NOTE:** It might be easier to position the tray, wheels down, on the grass or a surface that is not smooth.
- ATTACH** the seat (A) to the lifting unit (B)
- TO RAISE** seat, stand next to stool. Lift handle, and release when seat is at the desired height.
- TO LOWER** seat, sit on the stool. Lift handle, and release when the seat is at the desired height.

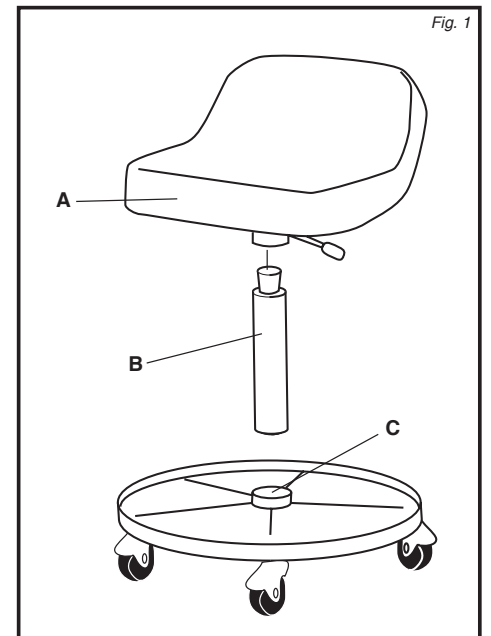


Fig. 1