

2X RAID (0/1), Single, & JBOD functions

3.5" SATA HARD DRIVE

Quick Installation Guide

Version 1.3



www.mediasonicusa.com

Online forum
http://forum.mediasonic.ca/

Reminders

- Follow all instructions.
- Do not place this device near water.
- Clean only with dry cloth.
- Do not block any ventilation openings.
- Install in accordance with the manufacturer's instructions.
- Do not place near any heat sources such as radiators, heat registers, stoves, or the devices (including amplifiers) that produce heat.
- Protect the power cord from being walked on or pinched particularly at plugs, convenience receptacles, and the point where they exit from the devices.
- Power supply cords should be routed so that they are not likely to be walked on or pinched by items placed upon them or against them.
- Only use attachments/accessories specified by the manufacturer.
- Unplug this during lightning storms or when unused for long periods of time.
- Refer all servicing to qualified service personnel. Servicing is required when the devices has been damaged in any way, such as power-supply cord or plug is damaged, liquid has been spilled or objects have fallen into the devices, the devices has been exposed to rain or moisture, does not operate normally, or has been dropped.
- Carefully read and follow the Quick Install Guide and User Manual.
- Do not drop or shake the device.
- Do not move the device when it is powered on.
- Do not overload wall outlets.

Brief Notes

● Operation System

Windows 7 / Windows 8.1 / Windows 10
Mac OS 10.8 or later

● Operation Environment

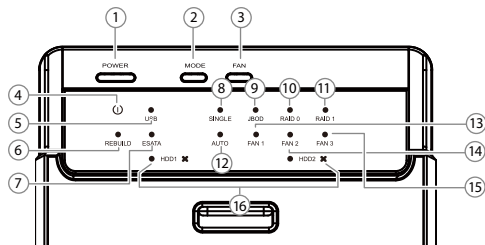
Temperature 0 ~ 50 °C Humidity 90 % RH

● References

- Smart fan controlled by the built-in thermal sensor and it comes with 2 modes (auto / manual) and 3 levels of speed:
 - Level 1:** below 45 °C 1,200rpm ~ 1,800rpm
 - Level 2:** 45 °C ~ 54 °C 1,800rpm ~ 2,500rpm
 - Level 3:** higher than 55 °C 2,500rpm ~ 3,500rpm
- Support USB transfer speeds: Low speed (1.5Mbps), Full speed (12Mbps), High Speed (480Mbps), Super Speed (5Gbps).

Overview

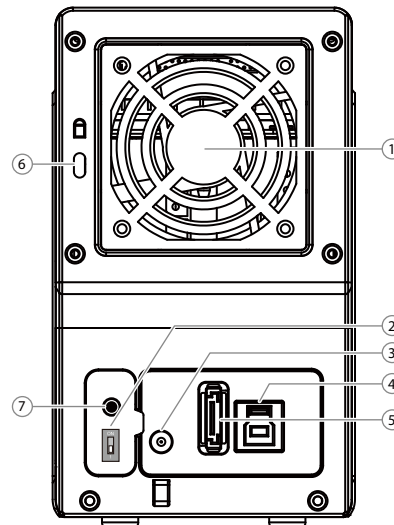
● LED Indication / Button



Descriptions

- Power button** It needs to be pressed and **held** for 3 seconds to power off.
⚠ This design prevents accidental power off.
- Mode button** RAID mode button needs to be pressed and **held** for 3 seconds to switch the device's RAID mode.
⚠ This design will prevent accidental execution of this function.
- Smart fan button** auto, manual and fan speed from level 1 to level 3
- Power LED** Blue Power on
Orange Sleep mode on
- USB link** USB port is in use
- Rebuild**
- e-SATA link** e-SATA port is in use
- Single Mode**
- JBOD Mode**
- Raid 0 Mode**
- Raid 1 Mode**
- AUTO** Smart Fan on
- FAN 1** FAN speed out level 1 (lowest)
- FAN 2** FAN speed out level 2 (middle)
- FAN 3** FAN speed out level 3 (highest)
- HDD1 / HDD2** Blue HDD connected
Purple HDD access
Red HDD error

● Rear Panel



Descriptions

- Fan
- Smart Power SYNC switch
- DC jack
- USB port
- e-SATA port
- Security lock
- RAID mode confirm button

● Smart Power SYNC switch

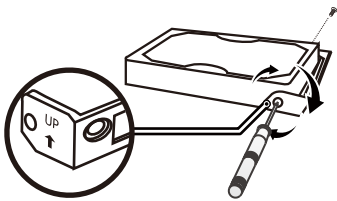
SYNC switch		
	Synchronization is off.	When the PC is off, the device goes to sleep mode.

● HDD Handle

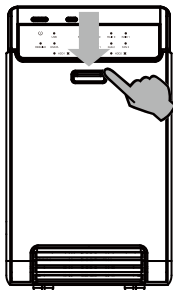


Quick installation Guide

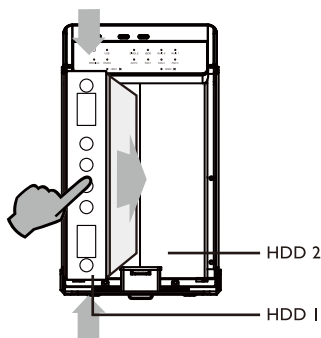
1. Please use the provided screws to secure the handles to the HDDs.



2. Press down the lock to open the cover.



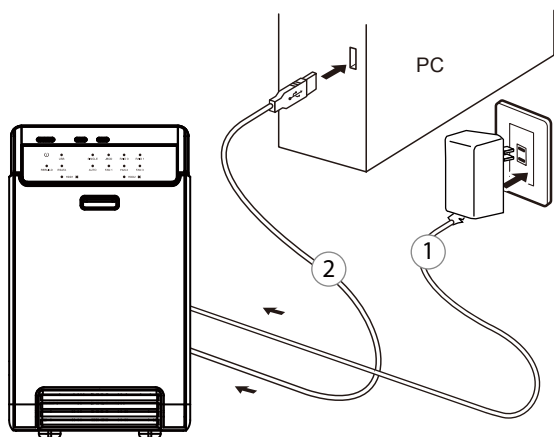
3. Slide 2 HDDs into the chassis and make sure they are securely installed in order from left to right.



Make sure the HDD1 is securely installed first at all times. Otherwise the PC may not recognize the device.

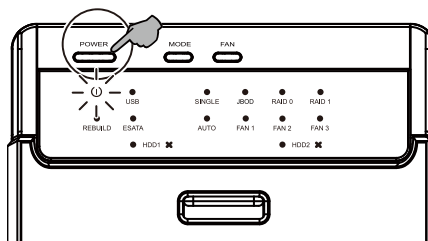
4. Close and secure the covers.

5. Plug in power adapter and USB cable.



★ Note: User have to make sure the host e-SATA port supports port-multiplier.

6. Mak sure the PC is ON and ready to go, then power on the device.

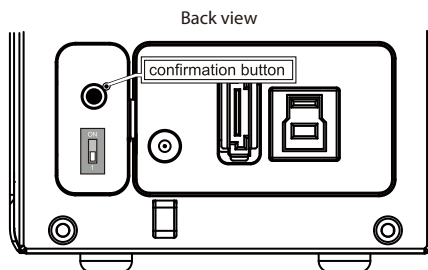
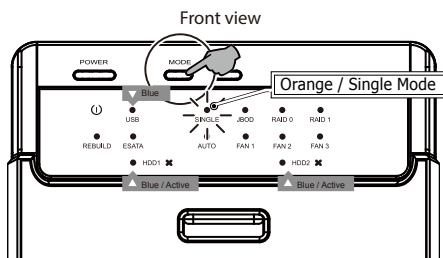


7. There are 4 mode options for HUR3-SU3S3, Single, JBOD (Spanning), RAID 0 and RAID 1. The enclosure is not default to any of the above. So If you just put hard drives in without setting a mode to use, the enclosure will just turn off after a few seconds of turning it ON.

The **confirmation button** is hidden in the back, so please find it first before you start.

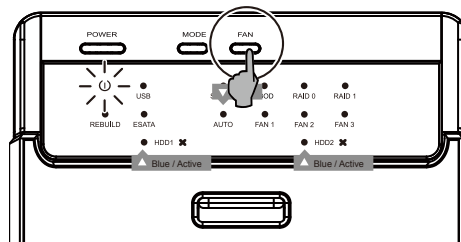
The setup procedures are as follows,

- Make sure the enclosure is connected to a computer that is ON.
- Power on the enclosure and press and hold MODE button on the front until mode option LED flashes. Press it again to select the RAID mode you want then press the Confirmation button on the back panel until the device shuts down.
- Power on the device again and the RAID mode set-up is completed. Now you just need to partition and format the drives.



8. FAN mode setup, users need to press the "FAN" button to change mode.

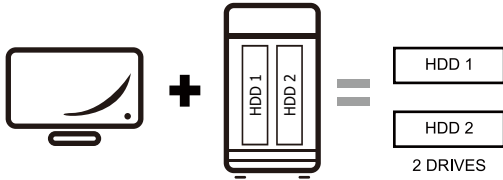
⚠ Default Setting is at "AUTO" mode.



About RAID

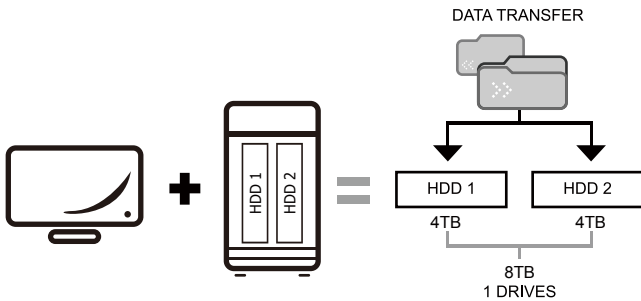
SINGLE MODE

Non-RAID: (Single Mode) Computer will show up as two independent drives. This function can be used if RAID is not required, if one HDD is installed or two different brands or capacities of HDD are installed.



RAID 0 MODE

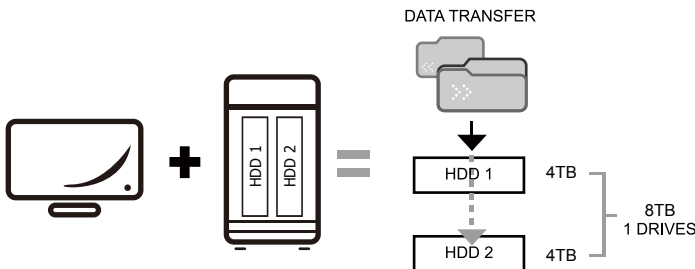
RAID 0 - Striping: Two HDDs will show up as one large single drive but speed performance will boost up. The two HDDs will write Data in "column" effect. This form of array splits each piece of Data across both HDDs in segments. Data are store between first HDD and second HDD. While the HDD is stripe in writing, the next head of next HDD is move to next track to write. The Data is writing without any form of data-checking. Once one HDD is damaged and all data can be lost.



* Same capacity / Brand HDD

JBOD MODE

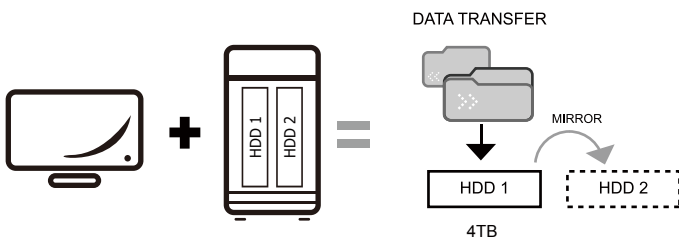
RAID 0 - Spanning: Two HDDs will show up as one large single drive. Spanning is an array (not RAID) that is written sequentially across two drives.



* Same capacity / Brand HDD

RAID 1 MIRRORING MODE

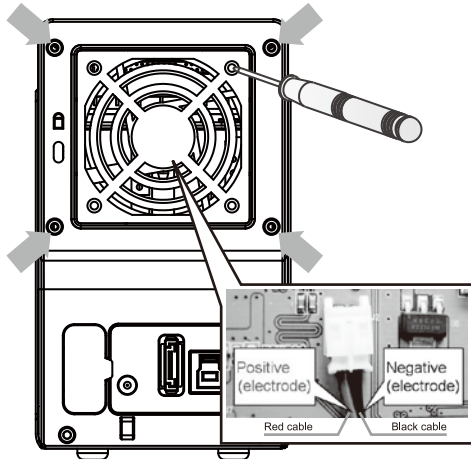
RAID 1- Mirroring: Using this mode will require 2 identical HDDs; meaning they must be the same capacity, brand and model number. Under RAID1, it will create an extra copy (or mirror) set of data to second drive. The backup data are more important for safe keeping and the available data only show up in one large single drive. This is useful when first HDD fails and it can be replaced by second set of identical data instantly.



* Same capacity / Brand HDD

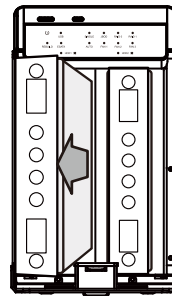
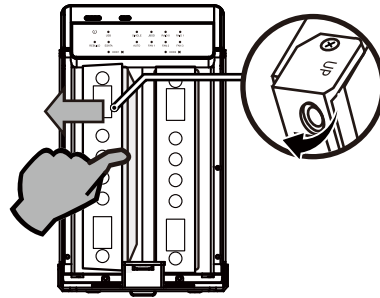
Trouble Shooting

1. If the noise is still present, change the device with another fan of size 60x60x10mm_2 pins. Otherwise send the device back to the retail store.



2. If the transfer rate is not normal, please check if the SATA HDD jumper is set up in 1.5 or 3.0Gbps.
3. If there is noise with the fan, unscrew and take out the fan cover, pull out the power cord, clean the fan and assemble it back.
4. If the fan stops working, do not dismantle it. Please send back to the retail store immediately.
5. The heated air would flow out from the fan based on forced convection process and cool down the chassis' internal temperature.

6. To take the HDD out from the device, slightly press down the handle and pull it out.



7. USB port of your PC must support power-off function so that the device would go to sleeping mode. Setting up motherboard's (power management) in S3 is strongly recommended. For more details, please refer to user guide of motherboard BIOS setting.

Cautions

Before using RAID enclosure

1. Changing RAID modes may cause data lost, backup your data before making changes.
2. Do not cover or block the ventilation hole.
3. Check for visible damage on unit, accessories and cables before using the device.
4. Do not expose the enclosure to water and humid condition.
5. When both HDD are installed at the same time in any RAID mode, all data will be formatted.
6. When using "RAID function", HDD of the same capacity, model name and brand is strongly recommended.
7. When using e-SATA interface on PC/MAC, the system's e-SATA port must support Port-Multiplier.

HDD format recommended

- Windows 7 → NTFS or exFAT
- Mac OS X → HFS+ (Mac OS Extended)
- Both Windows and Macintosh OS → FAT32 or exFAT