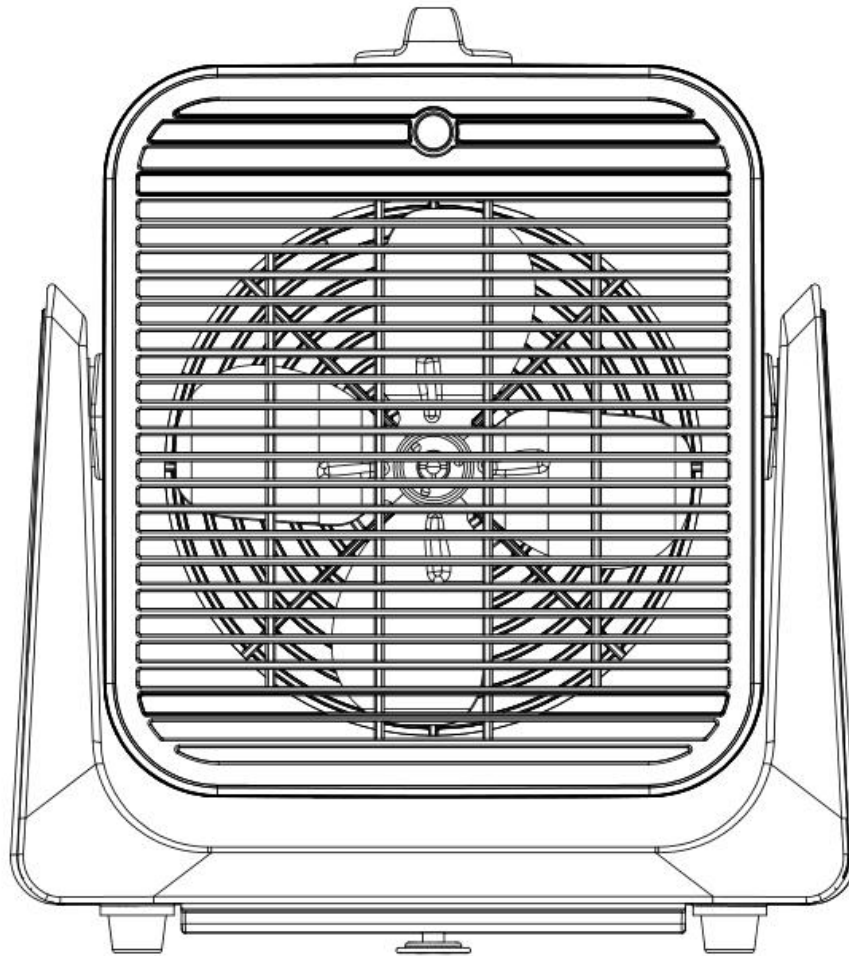


TRUSTECH

OWNER'S MANUAL

Model No. SFH-181TP



PLEASE SAVE THESE INSTRUCTIONS
WARNING: READ THIS OWNER'S MANUAL CAREFULLY BEFORE USE.



Thank you for choosing our Heater & Fan. This owner's manual will provide you with valuable information necessary for the proper care and maintenance of your new product. Please take a few minutes to thoroughly read the instructions and familiarize yourself with all the operational aspects of your new product.

IMPORTANT SAFETY INSTRUCTIONS

READ AND UNDERSTAND ALL INSTRUCTIONS & SAFETY WARNINGS, BEFORE USING THE PRODUCT



WARNING!



POTENTIAL ELECTRICAL HAZARD!

When using electrical appliances, basic precautions should always be followed to reduce the risk of fire, electric shock, and injury to persons, including the following:

1. CAUTION: Risk of Electric Shock. DO NOT open or try to repair the product by yourself.
2. This product will get hot when working in heating mode. To avoid being burned, DO NOT let exposed skin touch the hot surface. Be aware when you need to move the product.
3. Keep the product at least 3 feet away on all sides from electrical outlets, furniture, pillows, bedding, papers, clothes, curtains and other objects that may cause or catch on fire. DO NOT place towels or other items on the product.
4. Extreme caution is required during the operation of the product by or around children under age 12 and anyone with physical, sensory or mental illness, and whenever the heater is left operating and unattended. Children should be supervised to ensure that they do not play with the appliance, its parts and packaging material.
5. DO NOT use this product in bathroom, laundry and other similar indoor locations. NEVER place product where it may fall into a bathtub or other water container. To protect against electrical hazards, DO NOT immerse in water or other liquids.
6. The appliance, power supply, power cord and plug cannot contact with water.
7. DO NOT place cord under carpet. DO NOT cover cord with rugs, or similar coverings. Arrange cord away from traffic area and where it will not be tripped over.
8. DO NOT insert or allow foreign objects to enter any ventilation or exhaust

- opening as this may cause an electric shock or fire, or damage the product.
9. To prevent a possible fire, DO NOT block the air intakes or exhaust in any manner. DO NOT use on soft surfaces, like a bed, where openings may be blocked.
 10. This product has hot and arcing or sparking parts inside. DO NOT use in areas where gasoline, paint, explosive and/or flammable liquids are used or stored. Keep unit away from heated surfaces and fire.
 11. Always plug products directly into a wall outlet/receptacle. Never use with an extension cord or relocatable power tap (outlet/power strip).
 12. To avoid fire or shock hazard, plug the unit directly into a 120 V AC electrical outlet.
 13. To disconnect product, turn the knob to OFF, then remove plug from outlet. DO NOT unplug by pulling on the cord.
 14. Always unplug the unit before moving or cleaning, or whenever the product is not in use.
 15. Use only for intended household use as described in this manual. Any other use not recommended by the manufacturer may cause fire, electric shock, or injury to persons. The use of attachments not recommended or sold by unauthorized dealers may cause hazards.
 16. Always use on a dry, horizontal surface. Use on floor only.
 17. DO NOT use outdoors.
 18. WARNING: To reduce the risk of fire or electric shock, DO NOT use this unit with any solid-state speed control device.
 19. DO NOT attempt to repair or adjust any electrical or mechanical functions on this unit. Doing so will invalidate your warranty. The inside of the unit contains no user serviceable parts. Qualified personnel could perform all servicing only.

SAVE THESE INSTRUCTIONS

SPECIFICATIONS

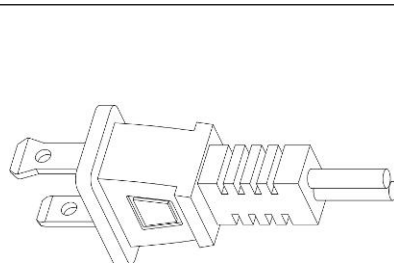
Voltage Rating	120 V (60Hz)
Power Consumption	1500W
Unit Size	9.3 in. (W) x5.4 in. (D) x 10.4in. (H)
Unit Weight	2.65KG

SAFETY FEATURES

Overheat Protection Feature

This product is equipped with an overheat protection feature. When the products internal components reach a certain temperature that could cause overheating and possible fire, the product will automatically shut off.

WARNING: It is normal for the power cord to feel warm when touching; however, a loose fit between the outlet and the plug may cause overheating of the plug. If this occurs, try inserting the plug into a different outlet. Contact a qualified electrician to inspect the original outlet for damage.



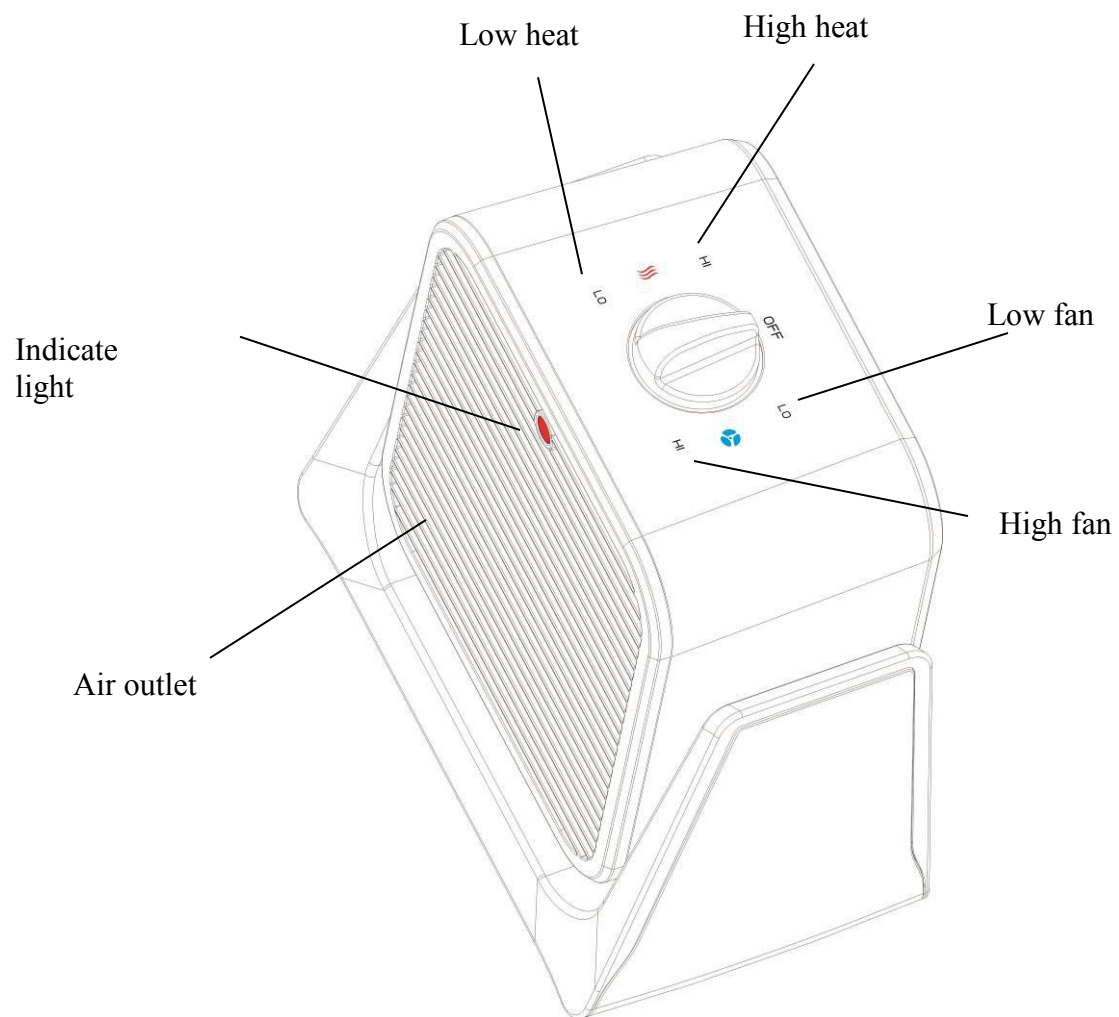
THIS APPLIANCE HAS A POLARIZED PLUG (one blade is wider than the other). To reduce the risk of electric shock, this plug is intended to fit in a polarized outlet only one way. If the plug does not fit fully in the outlet, please reverse the plug. If it still does not fit, contact a qualified electrician to install the proper outlet.

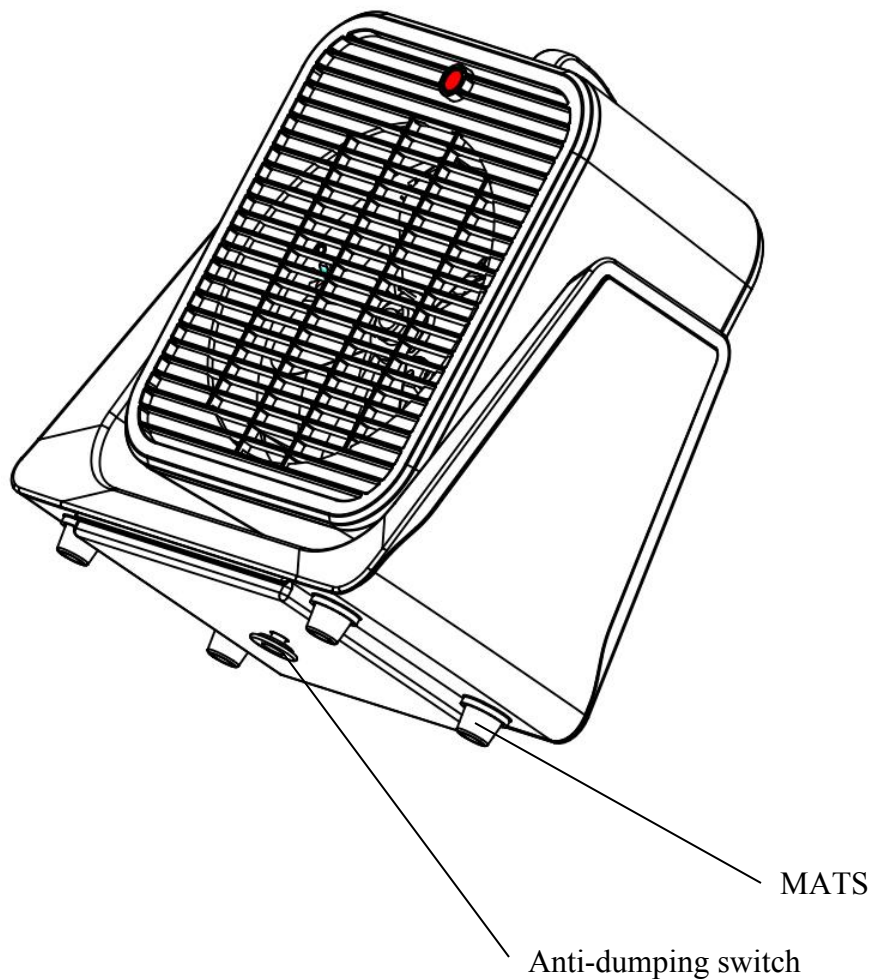
DO NOT ATTEMPT TO MODIFY THIS PLUG OR DEFEAT THIS SAFETY FEATURE IN ANY WAY.

IN THE BOX

- 2 in 1 HEATER & FAN
- INSTRUCTION

PARTS INSTRUCTION





PREPARATION

Place the product on a firm, horizontal surface and plug into a 120V 60Hz power outlet. Only operate product in upright position.

OPERATION INSTRUCTIONS

Plug power cord into a standard grounded wall outlet and get it started.

Two Modes (Fan/Heater)

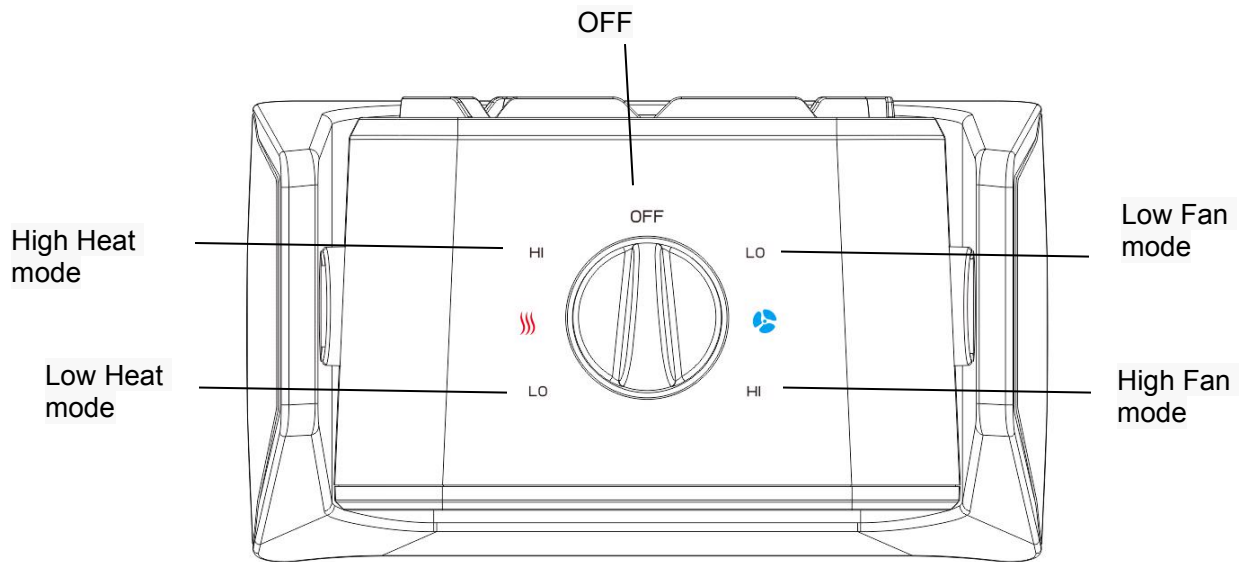
1. Switch the knob to set the fan or heat mode.
2. Select Fan mode.

Switch clockwise to the fan mode (marked as **blue**), and select “LO” (18W) or “**Hi**” (26W) to adjust the fan power.

3. Select Heat mode.

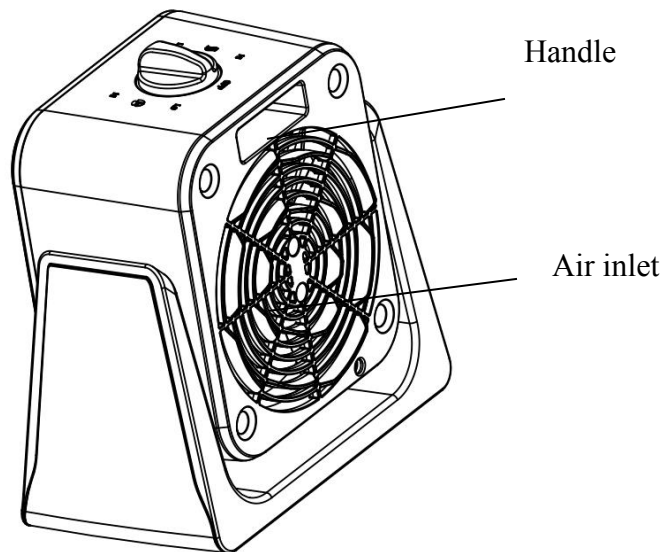
Switch counterclockwise to the heat mode (marked as **red**), and select “LO” (750W) or “**Hi**”

(1500W) to adjust the fan power.



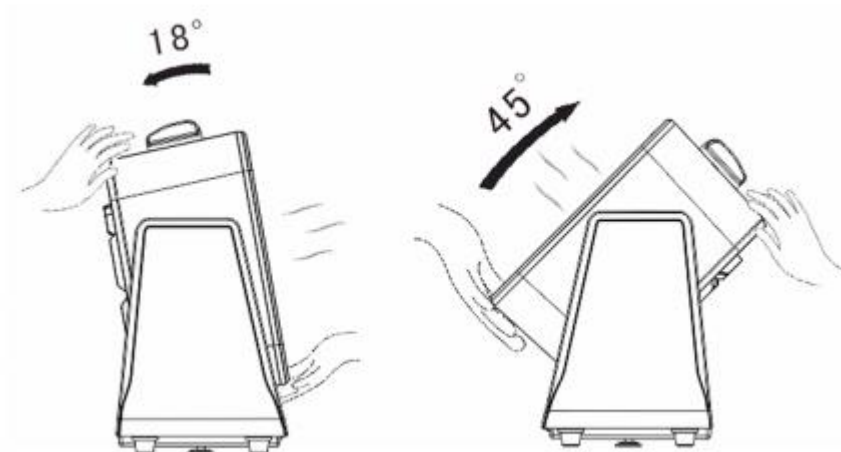
Picture-1

4. The product has a handle in the back for easy carrying. (Picture-2)



Picture-2

5. The product can be rotated to 45° and 18°.(Picture-3)



Picture-3

MAINTENANCE

1. Unplug the power cord and let it cool completely.
2. To keep the unit clean, the outer case should be cleaned with a soft, damp cloth. You may use a mild detergent if necessary. After cleaning, dry the unit with a soft cloth.
CAUTION: DO NOT let liquid enter the product.
3. DO NOT use alcohol, gasoline, abrasive powders, furniture polish, or rough brushes to clean the product. This may cause damage or deterioration to the surface of the product.
4. DO NOT immerse the product in water.
5. Wait until the unit is completely dry before use.

STORAGE

During the off-season or after extended periods of non-use, you may need to store your fan&heater. To ensure long life of the product, it is recommended to store your fan&heater in a cool and dry location. To prevent from accumulating dust overtime, place the heater back in retail carton if available.

TROUBLESHOOTING

If the product will not operate, please check the following before seeking repair of service:

1. Check if the power cord is plugged into an electrical outlet, if not, plug in.
2. Check if electricity to the main fuse is working.