

IMPORTANT:
Read Before Using

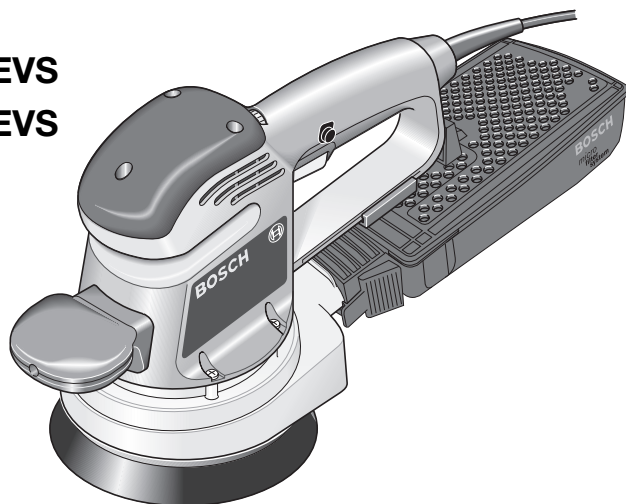
IMPORTANT :
Lire avant usage

IMPORTANTE:
Leer antes de usar



Operating/Safety Instructions
Consignes de fonctionnement/sécurité
Instrucciones de funcionamiento y seguridad

3725DEVS
3727DEVS



BOSCH

Consumer Information
Renseignements des consommateurs
Información para el consumidor

Toll Free Number: **Appel gratuit :** **Número de teléfono gratuito:**
1-877-BOSCH99 (1-877-267-2499) <http://www.boschtools.com>

For English
See page 2

Parlez-vous français?
Voir page 11

¿Habla español?
Ver página 20

Power Tool Safety Rules

⚠ WARNING Read and understand all instructions. Failure to follow all instructions listed below, may result in electric shock, fire and/or serious personal injury.

SAVE THESE INSTRUCTIONS

Work Area

Keep your work area clean and well lit. Cluttered benches and dark areas invite accidents.

Do not operate power tools in explosive atmospheres, such as in the presence of flammable liquids, gases, or dust. Power tools create sparks which may ignite the dust or fumes.

Keep by-standers, children, and visitors away while operating a power tool. Distractions can cause you to lose control.

Electrical Safety

Double Insulated tools are equipped with a polarized plug (one blade is wider than the other.) This plug will fit in a polarized outlet only one way. If the plug does not fit fully in the outlet, reverse the plug. If it still does not fit, contact a qualified electrician to install a polarized outlet. Do not change the plug in any way. Double Insulation eliminates the need for the three wire grounded power cord and grounded power supply system. *Before plugging in the tool, be certain the outlet voltage supplied is within the voltage marked on the nameplate. Do not use "AC only" rated tools with a DC power supply.*

Avoid body contact with grounded surfaces such as pipes, radiators, ranges and refrigerators. There is an increased risk of electric shock if your body is grounded. If operating the power tool in damp locations is unavoidable, a Ground Fault Circuit Interrupter must be used to supply the power to your tool. Electrician's rubber gloves and footwear will further enhance your personal safety.

Don't expose power tools to rain or wet conditions. Water entering a power tool will increase the risk of electric shock.

Do not abuse the cord. Never use the cord to carry the tools or pull the plug from an outlet. Keep cord away from

heat, oil, sharp edges or moving parts. Replace damaged cords immediately. Damaged cords increase the risk of electric shock.

When operating a power tool outside, use an outdoor extension cord marked "W-A" or "W." These cords are rated for outdoor use and reduce the risk of electric shock. Refer to "Recommended sizes of Extension Cords" in the Accessory section of this manual.

Personal Safety

Stay alert, watch what you are doing and use common sense when operating a power tool. Do not use tool while tired or under the influence of drugs, alcohol, or medication. A moment of inattention while operating power tools may result in serious personal injury.

Dress properly. Do not wear loose clothing or jewelry. Contain long hair. Keep your hair, clothing, and gloves away from moving parts. Loose clothes, jewelry, or long hair can be caught in moving parts. Keep handles dry, clean and free from oil and grease.

Avoid accidental starting. Be sure switch is "OFF" before plugging in. Carrying tools with your finger on the switch or plugging in tools that have the switch "ON" invites accidents.

Remove adjusting keys or wrenches before turning the tool "ON". A wrench or a key that is left attached to a rotating part of the tool may result in personal injury.

Do not overreach. Keep proper footing and balance at all times. Proper footing and balance enables better control of the tool in unexpected situations.

Use safety equipment. Always wear eye protection. Dust mask, non-skid safety shoes, hard hat, or hearing protection must be used for appropriate conditions.

Tool Use and Care

Use clamps or other practical way to secure and support the workpiece to a stable platform. Holding the work by hand or against your body is unstable and may lead to loss of control.

Do not force tool. Use the correct tool for your application. The correct tool will do the job better and safer at the rate for which it is designed.

Do not use tool if switch does not turn it "ON" or "OFF". Any tool that cannot be controlled with the switch is dangerous and must be repaired.

Disconnect the plug from the power source before making any adjustments, changing accessories, or storing the tool. Such preventive safety measures reduce the risk of starting the tool accidentally. **Store idle tools out of reach of children and other untrained persons.** Tools are dangerous in the hands of untrained users.

Maintain tools with care. Keep cutting tools sharp and clean. Properly maintained tools, with sharp cutting edges are less likely to bind and are easier to control. Any alteration or modification is a misuse and may result in a dangerous condition.

Check for misalignment or binding of moving parts, breakage of parts, and any

other condition that may affect the tools operation. If damaged, have the tool serviced before using. Many accidents are caused by poorly maintained tools. Develop a periodic maintenance schedule for your tool.

Use only accessories that are recommended by the manufacturer for your model. Accessories that may be suitable for one tool, may become hazardous when used on another tool.

Service

Tool service must be performed only by qualified repair personnel. Service or maintenance performed by unqualified personnel could result in a risk of injury. For example: internal wires may be misplaced or pinched, safety guard return springs may be improperly mounted.

When servicing a tool, use only identical replacement parts. Follow instructions in the Maintenance section of this manual. Use of unauthorized parts or failure to follow Maintenance Instructions may create a risk of electric shock or injury. Certain cleaning agents such as gasoline, carbon tetrachloride, ammonia, etc. may damage plastic parts.

Safety Rules for Orbital Sanders

Unplug the sander before changing accessories. Accidental start-ups may occur if sander is plugged in while changing an accessory.

If your tool is equipped with a dust bag, empty it frequently and after completion of sanding. Be extremely careful of dust disposal, materials in fine particle form may be explosive. Do not throw sanding dust on an open fire. Spontaneous combustion, may in time, result from mixture of oil or water with dust particles.

Always wear eye protection and a dust mask for dusty applications and when sanding overhead. Sanding particles can be absorbed by your eyes and inhaled easily and may cause health complications.

Do not wet sand with this sander. Liquids entering the motor housing is an electrical shock hazard.

Do not use PSA pad on random orbit sanders whose speed exceeds 12,000/min. Exceeding the maximum operating speed of pad may cause pad to rupture or fly apart during use striking user or bystanders.

Do not use sandpaper intended for larger sanding pads. Larger sandpaper will extend beyond the sanding pad causing snagging, tearing of the paper or kick-back. Extra paper extending beyond the sanding pad can also cause serious lacerations.

Be aware of the location and setting of the Switch "Lock-ON" Button. If the switch

is locked "ON", be ready for emergency situations to switch it "OFF", by first pulling the trigger then immediately releasing it without pressing the "Lock-ON" button.

Clamp or secure workpiece when sanding. Clamping the workpiece prevents it from being ejected from under the sander and leaves both hands to control the tool.

Keep the cord away from the spinning pad and sandpaper. The cord can become entangled with the pad.


⚠ WARNING Some dust created by power sanding, sawing, grinding, drilling, and other construction activities contains chemicals known to cause cancer, birth defects or other reproductive harm. Some examples of these chemicals are:

- Lead from lead-based paints,
- Crystalline silica from bricks and cement and other masonry products, and
- Arsenic and chromium from chemically-treated lumber.

Your risk from these exposures varies, depending on how often you do this type of work. To reduce your exposure to these chemicals: work in a well ventilated area, and work with approved safety equipment, such as those dust masks that are specially designed to filter out microscopic particles.

Symbols

IMPORTANT: Some of the following symbols may be used on your tool. Please study them and learn their meaning. Proper interpretation of these symbols will allow you to operate the tool better and safer.

Symbol	Name	Designation/Explanation
V	Volts	Voltage (potential)
A	Amperes	Current
Hz	Hertz	Frequency (cycles per second)
W	Watt	Power
kg	Kilograms	Weight
min	Minutes	Time
s	Seconds	Time
∅	Diameter	Size of drill bits, grinding wheels, etc.
n_0	No load speed	Rotational speed, at no load
.../min	Revolutions or reciprocation per minute	Revolutions, strokes, surface speed, orbits etc. per minute
0	Off position	Zero speed, zero torque...
1, 2, 3, ... I, II, III,	Selector settings	Speed, torque or position settings. Higher number means greater speed
0 ▲	Infinitely variable selector with off	Speed is increasing from 0 setting
→	Arrow	Action in the direction of arrow
~	Alternating current	Type or a characteristic of current
—	Direct current	Type or a characteristic of current
~	Alternating or direct current	Type or a characteristic of current
□	Class II construction	Designates Double Insulated Construction tools.
⊕	Earthing terminal	Grounding terminal
⚠	Warning symbol	Alerts user to warning messages
	Ni-Cad RBRC seal	Designates Ni-Cad battery recycling program



This symbol designates that this tool is listed by Underwriters Laboratories.



This symbol designates that this tool is listed to Canadian Standards by Underwriters Laboratories.



This symbol designates that this tool complies to NOM Mexican Standards.



This symbol designates that this tool is listed by the Canadian Standards Association.



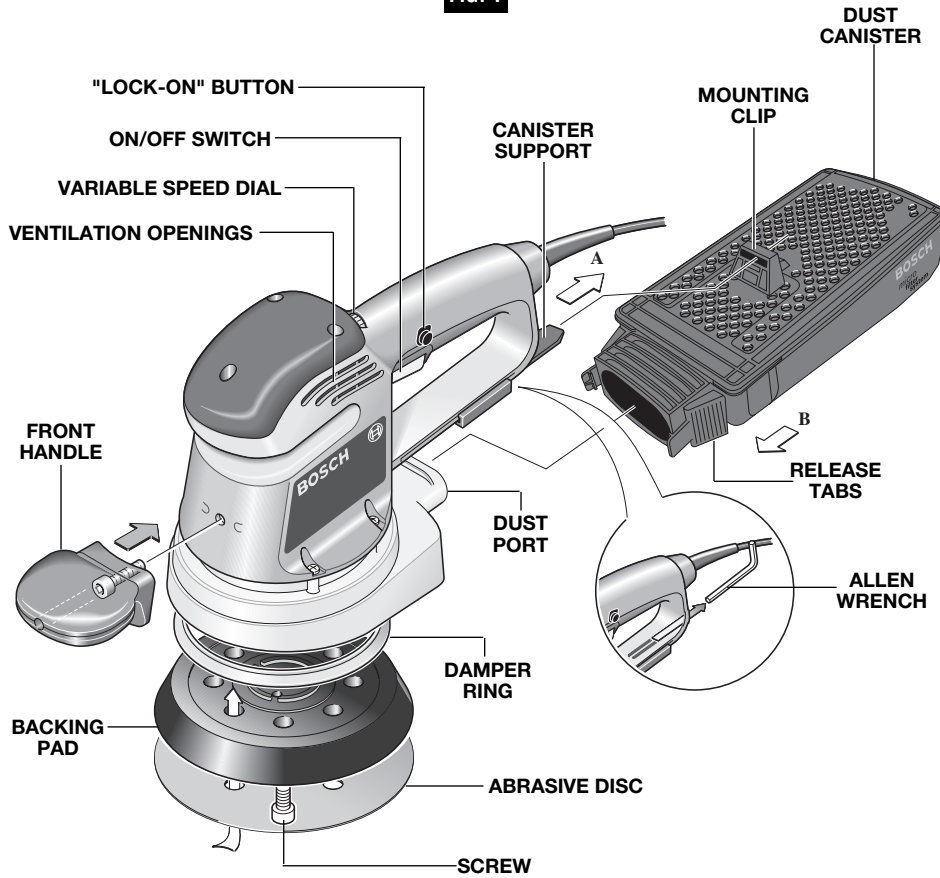
This symbol designates that this tool is listed by Underwriters Laboratories, and listed to Canadian Standards by Underwriters Laboratories.

Functional Description and Specifications

⚠ WARNING Disconnect the plug from the power source before making any assembly, adjustments or changing accessories. Such preventive safety measures reduce the risk of starting the tool accidentally.

Random Orbit Sander

FIG. 1



Model number	3725DEVS	3727DEVS
Voltage rating	120 V ~ 50 - 60Hz	120 V ~ 50 - 60Hz
Amperage rating	3.3 A	3.3 A
No load speed	n_0 4,500-12,000/min	n_0 4,500-12,000/min
Pad diameter	** 5" (125 mm)	** 6" (150 mm)
Abrasive diameter	** 5" (125 mm)	** 6" (150 mm)

(* * = NOTE: 5" and 6" pads are not interchangeable.)

Assembly

BACKING PAD INSTALLATION

The random orbit sander is equipped with a backing pad of soft hardness, which is suitable for general service. Harder and softer pads are available for other purposes, and in general are used as follows;

Extra soft pad - Polishing or sanding large or curved surfaces.

Soft pad - All purpose general sanding and polishing.

Hard pad - Heavy sanding on flat surfaces, especially with coarser abrasives.

To change backing pad, hold pad firmly and turn screw counterclockwise with 5mm allen wrench provided. Remove old pad, and place new pad over locating pins on drive spindle. Replace screw and securely tighten in a clockwise direction with the allen wrench. Damaged or worn backing pads must be replaced immediately (Fig. 1).

BACKING PAD DAMPER

Your tool is equipped with an integrated backing pad damper ring. This damper reduces the no-load speed, which helps prevent accidental marking of the workpiece surface and provides uniform finishing.

NOTE: If you notice steadily increasing no-load speed, this indicates that the damper ring is worn and needs to be replaced.

INSTALLING ACCESSORIES

The random orbit sander uses hook-and-loop backed accessories, which firmly grip the pad when applied with moderate pressure. To change the accessory, merely peel off the old accessory, remove dust from the pad if necessary, and press the new accessory in place. Be sure to align the sanding disc holes with the holes in the backing pad to allow the dust extraction system to function.

After considerable service the pad surface will become worn, and the pad must be replaced when it no longer offers a firm grip. If you are experiencing premature wearout of the pad facing, decrease the amount of pressure you are applying during operation of the tool.

INSTALLING DUST CANISTER

To attach dust canister, slide canister support in direction of arrow (A) until it stops. Insert mounting clip into the pocket provided on canister. Then slide canister support through mounting clip in direction of arrow (B) and push onto the dust port. To remove, reverse this procedure.

DUST COLLECTION CANISTER

The integral dust extraction system collects sanding dust in canister supplied with your sander. For maximum efficiency, the dust canister should be emptied frequently during operation.

When the canister is removed from the tool an (optional vacuum hose accessory) can be attached to the dust port.

To use this feature, attach vacuum adapter and vacuum hose (optional accessories) to dust port, then connect opposite end of the vacuum hose to a shop vacuum cleaner.

CLEANING AND EMPTYING THE DUST CANISTER

To empty, lift lid of canister. Knock excess dust out of the micro filter, or remove dust with your fingers or a soft brush.

You may notice that all the dust may not come out of the canister. This will not affect sanding performance but will reduce dust collection efficiency.

NOTE: Do not wash the micro filter with soap and water. Dust may become more firmly lodged in the pores, which will reduce dust collection, and damage the micro filter.

Operating Instructions

TRIGGER "ON-OFF" SWITCH

To turn the tool "ON" squeeze the trigger switch. To turn the tool "OFF", release the trigger switch, which is spring loaded and will return to the "OFF" position automatically. To increase switch life, do not turn switch on and off while tool is under load.

"LOCK-ON" BUTTON

The "Lock-ON" button, located near the trigger allows for continuous operation at maximum OPM without holding the trigger.

TO LOCK TRIGGER "ON": squeeze trigger, depress button and release trigger.

TO UNLOCK THE TRIGGER: squeeze trigger and release it without depressing the "Lock-ON" button.

WARNING If the "Lock-ON" button is continuously being depressed, the trigger can not be released.

VARIABLE SPEED WITH DIAL SETTING

Your sander is also equipped with a variable speed dial. The sander's orbital pad speed can be preset from zero to maximum nameplate OPM by rotating the dial in the housing. The dial may be set on or between any of six positions (1=low through 6=high). The "Lock-ON" button may also be used with any setting of the dial.

The following table may be used as a general guide for abrasive and backing pad selection, but the best results will be obtained by sanding a test sample of the workpiece first.

FRONT HANDLE

Your sander is equipped with a removable front handle when sanding in tight quarters. To remove handle, remove screw with allen wrench. Always reinstall handle for normal

operation. Depending on the task, you may grip the rear handle alone, the rear handle and the front handle, or the rear handle and the top of the ergonomically contoured soft grip motor housing, which is designed for that purpose.

Material	Switch setting	Backing pad	Grit size
	rough/finish		rough/finish
woods:			
softwoods	4 / 6	extra soft	60 / 240
hardwoods	4 / 6	soft	60 / 180
veneers	4	soft	240 / 320
metals:			
steel	4	soft	60 / 240
stainless	4	soft	120 / 240
aluminum	4/ 6	soft	80 / 240
rust spots	6	extra soft	60 / 120
paintwork:			
sanding	2 / 3	soft	180 / 400
scratches	4 / 6	hard	120 / 240
stripping	4	soft	40/60 /80

Tool Tips

SANDING: open-coat aluminum oxide sanding discs are recommended for most wood or metal sanding applications, as this synthetic material cuts quickly and wears well. Some applications, such as plastics, glass, or stone require silicon carbide discs, which have a very sharp cutting edge. For best results, use Bosch sanding and polishing accessories which are of superior quality and are carefully selected to produce professional quality results with your sander.

With the workpiece firmly secured, depress switch while applying the pad to the work surface. DO NOT apply excessive pressure as this will slow the pad action, and DO NOT start the tool and bring it up to speed before applying to the work; swirl marks will result in either case. In general, higher speeds and moderate pressure will give the best results. If faster removal is desired, DO NOT INCREASE PRESSURE ON THE TOOL; use a coarser grade of abrasive. Move the sander in long

sweeping strokes, parallel to the grain using some lateral motion to overlap the strokes by as much as 75%. The random orbit action allows cross-grain sanding, but be careful not to tilt the sander near edges, or undesirable rounding may result.

If the surface is rough, begin with coarser grits and then complete the surfacing with medium and fine abrasives. Because the random orbit action is so effective, it is often possible to begin sanding with a medium grit disc and go directly to fine finishing. To avoid uneven results, do not skip more than one grit size when going from coarser to finer, and do not sand in one area for too long. When the job is completed, release switch, and gently lift the tool from the work surface at the same time.

POLISHING: for most polishing, the soft backing pad will give the best results. The random orbit sander may be fitted with a foam buffing pad or polishing bonnet to polish or remove scratches from painted or finished

surfaces, plastics, and even glass. The tool is operated in much the same way as when sanding, but the following points should be observed;

Apply the compound to the surface, and use the sponge applicator pad with light pressure and a circular motion to remove scratches and restore weathered finishes. Use only as much compound as necessary, and clean the sponge frequently during use.

When initial polishing is completed, wipe away any excess compound with a soft towel, and then polish the surface to its final finish with the polishing bonnet. Use smooth overlapping strokes for best results.

It is important to note that the orbit speed of the random orbit sander is not the same as the RPM of a standard right-angle polisher. The random orbit action is much like a powerful hand polishing action, and therefore does not have the high speeds at the edge of the pad which can burn the work surface. For this reason, it is possible to select a higher OPM for the random orbit sander than the recommended RPM for a standard polisher. Practice on a hidden area or test surface until you have determined the tool is suitable for your polishing application.

Clean the buffing pad and polishing bonnet with mild detergents and warm water. DO NOT use solvents.

Maintenance

Service

⚠ WARNING Preventive maintenance performed by unauthorized personnel may result in misplacing of internal wires and components which could cause serious hazard. We recommend that all tool service be performed by a Bosch Factory Service Center or Authorized Bosch Service Station.

TOOL LUBRICATION

Your Bosch tool has been properly lubricated and is ready to use. It is recommended that tools with gears be regreased with a special gear lubricant at every brush change.

CARBON BRUSHES

The brushes and commutator in your tool have been engineered for many hours of dependable service. To maintain peak efficiency of the motor, we recommend every two to six months the brushes be examined. Only genuine Bosch replacement brushes specially designed for your tool should be used.

BEARINGS

After about 300-400 hours of operation, or at every second brush change, the bearings

should be replaced at Bosch Factory Service Center or Authorized Bosch Service Station. Bearings which become noisy (due to heavy load or very abrasive material cutting) should be replaced at once to avoid overheating or motor failure.

Cleaning

⚠ WARNING To avoid accidents always disconnect the tool from the power supply before cleaning or performing any maintenance. The tool may be cleaned most effectively with compressed dry air. **Always wear safety goggles when cleaning tools with compressed air.**

Ventilation openings and switch levers must be kept clean and free of foreign matter. Do not attempt to clean by inserting pointed objects through openings.

⚠ CAUTION Certain cleaning agents and solvents damage plastic parts. Some of these are: gasoline, carbon tetrachloride, chlorinated cleaning solvents, ammonia and household detergents that contain ammonia.

Accessories

⚠ WARNING If an extension cord is necessary, a cord with adequate size conductors that is capable of carrying the current necessary for your tool must be used. This will prevent excessive voltage drop, loss of power or overheating. Grounded tools must use 3-wire extension cords that have 3-prong plugs and receptacles.

NOTE: The smaller the gauge number, the heavier the cord.

RECOMMENDED SIZES OF EXTENSION CORDS 120 VOLT ALTERNATING CURRENT TOOLS

Tool's Ampere Rating	Cord Size in A.W.G.				Wire Sizes in mm ²			
	Cord Length in Feet				Cord Length in Meters			
	25	50	100	150	15	30	60	120
3-6	18	16	16	14	.75	.75	1.5	2.5
6-8	18	16	14	12	.75	1.0	2.5	4.0
8-10	18	16	14	12	.75	1.0	2.5	4.0
10-12	16	16	14	12	1.0	2.5	4.0	—
12-16	14	12	—	—	—	—	—	—

- * Allen wrench 5mm
- * Dust canister
- * Auxiliary Handle
- * Soft backing pad
- ** Extra soft backing pad
- ** Hard backing pad

- ** Vacuum hose adapter (tool end)
 - ** Vacuum hose adapter (canister end)
 - ** Vacuum hose
 - ** Carrying case
- (* = standard equipment)
(** = optional accessories)

Règles de Sécurité Générales

▲ AVERTISSEMENT

Vous devez lire et comprendre toutes les instructions. Le non-respect, même partiel, des instructions ci-après entraîne un risque de choc électrique, d'incendie et/ou de blessures graves.

CONSERVEZ CES INSTRUCTIONS


Aire de travail

Veillez à ce que l'aire de travail soit propre et bien éclairée. Le désordre et le manque de lumière favorisent les accidents.

N'utilisez pas d'outils électriques dans une atmosphère explosive, par exemple en présence de liquides, de gaz ou de poussières inflammables. Les outils électriques créent des étincelles qui pourraient enflammer les poussières ou les vapeurs.

Tenez à distance les curieux, les enfants et les visiteurs pendant que vous travaillez avec un outil électrique. Ils pourraient vous distraire et vous faire faire une fausse manœuvre.

Sécurité électrique

Les outils à double isolation sont équipés d'une fiche polarisée (une des lames est plus large que l'autre), qui ne peut se brancher que d'une seule façon dans une prise polarisée. Si la fiche n'entre pas parfaitement dans la prise, inversez sa position ; si elle n'entre toujours pas bien, demandez à un électricien qualifié d'installer une prise de courant polarisée. Ne modifiez pas la fiche de l'outil. La double isolation  élimine le besoin d'un cordon d'alimentation à trois fils avec mise à la terre ainsi que d'une prise de courant mise à la terre. *Avant de brancher l'outil, assurez-vous que la tension de la prise correspond, à celle indiquée sur la plaque signalétique. N'utilisez pas d'outils prévus pour courant alternatif seulement avec une source de courant continu.*

Évitez tout contact corporel avec des surfaces mises à la terre (tuyauterie, radiateurs, cuisinières, réfrigérateurs, etc.). Le risque de choc électrique est plus grand si votre corps est en contact avec la terre. Si l'utilisation de l'outil électrique dans un endroit humide est inévitable, un disjoncteur de fuite à la terre doit être utilisé pour alimenter votre outil. Des chaussures et des gants en caoutchouc d'électricien contribueront à accroître davantage votre sécurité personnelle.

N'exposez pas les outils électriques à la pluie ou à l'eau. La présence d'eau dans un outil électrique augmente le risque de choc électrique.

Ne maltraitez pas le cordon. Ne transportez pas l'outil par son cordon et ne débranchez pas la fiche en tirant sur le cordon. N'exposez pas le cordon à la chaleur, à des huiles, à des arêtes vives ou à des pièces en mouvement. Remplacez immédiatement un cordon endommagé. Un cordon endommagé augmente le risque de choc électrique.

Lorsque vous utilisez un outil électrique à l'extérieur, employez un prolongateur pour l'extérieur marqué « W-A » ou « W ». Ces cordons sont faits pour être utilisés à l'extérieur et réduisent le risque de choc électrique. Reportez-vous aux « Dimensions recommandées des cordons de rallonge » dans la section Accessoires de ce manuel.

Sécurité des personnes

Restez alerte, concentrez-vous sur votre travail et faites preuve de jugement. N'utilisez pas un outil électrique si vous êtes fatigué ou sous l'influence de drogues, d'alcool ou de médicaments. Un instant d'inattention suffit pour entraîner des blessures graves.

Habillez-vous convenablement. Ne portez ni vêtements flottants ni bijoux. Confinez les cheveux longs. N'approchez jamais les cheveux, les vêtements ou les gants des pièces en mouvement. Des vêtements flottants, des bijoux ou des cheveux longs risquent d'être happés par des pièces en mouvement. Gardez les poignées sèches, propres et exemptes d'huile et de graisse.

Méfiez-vous d'un démarrage accidentel. Avant de brancher l'outil, assurez-vous que son interrupteur est sur ARRÊT. Le fait de transporter un outil avec le doigt sur la détente ou de brancher un outil dont l'interrupteur est en position MARCHE peut mener tout droit à un accident.

Enlevez les clés de réglage ou de serrage avant de démarrer l'outil. Une clé laissée dans une pièce tournante de l'outil peut provoquer des blessures.

Ne vous penchez pas trop en avant. Maintenez un bon appui et restez en équilibre en tout temps. Une bonne stabilité vous permet de mieux réagir à une situation inattendue.

Utilisez des accessoires de sécurité. Portez toujours des lunettes ou une visière. Selon les conditions, portez aussi un masque antipoussière, des bottes de sécurité antidérapantes, un casque protecteur et/ou un appareil antibruit.

Utilisation et entretien des outils

Immobilisez le matériau sur une surface stable au moyen de brides ou de toute autre façon adéquate. Le fait de tenir la pièce avec la main ou contre votre corps offre une stabilité insuffisante et peut amener un dérapage de l'outil.

Ne forcez pas l'outil. Utilisez l'outil approprié à la tâche. L'outil correct fonctionne mieux et de façon plus sécuritaire. Respectez aussi la vitesse de travail qui lui est propre.

N'utilisez pas un outil si son interrupteur est bloqué. Un outil que vous ne pouvez pas commander par son interrupteur est dangereux et doit être réparé.

Débranchez la fiche de l'outil avant d'effectuer un réglage, de changer d'accessoire ou de ranger l'outil. De telles mesures préventives de sécurité réduisent le risque de démarrage accidentel de l'outil.

Rangez les outils hors de la portée des enfants et d'autres personnes inexpérimentées. Les outils sont dangereux dans les mains d'utilisateurs novices.

Prenez soin de bien entretenir les outils. Les outils de coupe doivent être toujours bien affûtés et propres. Des outils bien entretenus, dont les arêtes sont bien tranchantes, sont moins susceptibles de coincer et plus faciles à diriger. Toute altération ou modification constitue un usage erroné et peut causer un danger.

Soyez attentif à tout désalignement ou coincement des pièces en mouvement, à tout bris ou à toute autre condition préjudiciable au bon fonctionnement de l'outil. Si vous constatez qu'un outil est endommagé,

faites-le réparer avant de vous en servir. De nombreux accidents sont causés par des outils en mauvais état. Élaborez un calendrier d'entretien périodique de votre outil.

N'utilisez que des accessoires que le fabricant recommande pour votre modèle d'outil. Certains accessoires peuvent convenir à un outil, mais être dangereux avec un autre.

Réparation

La réparation des outils électriques doit être confiée à un réparateur qualifié. L'entretien ou la réparation d'un outil électrique par un amateur peut avoir des conséquences graves. Ainsi, des fils internes peuvent être mal placés ou pincés, des ressorts de rappel de protecteur peuvent être montés erronément.

Pour la réparation d'un outil, n'employez que des pièces de rechange d'origine. Suivez les directives données à la section « Réparation » de ce manuel. L'emploi de pièces non autorisées ou le non-respect des instructions d'entretien peut créer un risque de choc électrique ou de blessures. Certains agents nettoyants tels qu'essence, tétrachlorure de carbone, ammoniac, etc., peuvent abîmer les pièces en plastique.

Consignes de sécurité de la ponceuse à orbite aléatoire

Débranchez la ponceuse avant de changer les accessoires. Une mise en marche accidentelle peut survenir si la ponceuse est branchée pendant le changement d'un accessoire.

Si votre outil est équipé d'un sac à poussière, videz-le souvent et au terme du ponçage. Procédez extrêmement soigneusement dans l'évacuation de la poussière, les matières sous forme de particules fines peuvent être explosives. Ne jetez pas le bran de scie sur des flammes nues. Une combustion spontanée peut parfois résulter d'un mélange d'huile ou d'eau avec des particules de poussière.

Portez toujours des lunettes de protection et un masque anti-poussières pour les applications poussiéreuses et lors du ponçage au-dessus de la tête. Des particules de ponçage peuvent être absorbées par vos yeux et inhalées facilement et peuvent causer des problèmes de santé.

Ne poncez pas par voie humide à l'aide de cette ponceuse. La pénétration de liquides dans le carter du moteur constitue un risque de secousses électriques.

N'utilisez pas le patin autocollant sur les ponceuses à orbite aléatoire dont la vitesse dépasse 12 000 tr/min. Si la vitesse de service maximale du patin est dépassée, le patin peut se briser ou voler en éclats durant l'usage, frappant ainsi l'utilisateur ou les personnes présentes.

N'utilisez pas du papier de verre destiné à des blocs de ponçage plus gros. Le papier de verre de dimensions plus grandes fera saillie au-delà du bloc de ponçage entraînant ainsi des accrocs, un déchirement du papier ou un rebond. Le papier supplémentaire faisant saillie au-delà du bloc de ponçage peut également causer des lacérations graves.

Connaissez l'emplacement et le réglage du bouton de blocage de l'interrupteur en position de marche.

Si l'interrupteur est bloqué en position de marche « ON », soyez prêt, dans les cas d'urgence, à le mettre à l'arrêt « OFF » en appuyant d'abord sur la gâchette, puis en la relâchant immédiatement sans appuyer sur le bouton de blocage en marche.

Fixez à l'aide de brides ou assujettissez l'ouvrage en ponçant. La fixation de l'ouvrage à l'aide de brides l'empêche d'être éjecté depuis le dessous de la ponceuse et laisse les deux mains libres pour contrôler l'outil.

Tenez le cordon à l'écart du bloc en rotation et du papier de verre. Le cordon peut s'emmêler avec le bloc.

⚠ AVERTISSEMENT Les travaux à la machine tel que ponçage, sciage, meulage, perçage et autres travaux du bâtiment peuvent créer des poussières contenant des produits chimiques qui sont des causes reconnues de cancer, de malformation congénitale ou d'autres problèmes reproductifs. Ces produits chimiques sont, par exemple :

- Le plomb provenant des peintures à base de plomb,
- Les cristaux de silices provenant des briques et du ciment et d'autres produits de maçonnerie, et
- L'arsenic et le chrome provenant des bois traités chimiquement

Le niveau de risque dû à cette exposition varie avec la fréquence de ces types de travaux. Pour réduire l'exposition à ces produits chimiques, il faut travailler dans un lieu bien ventilé et porter un équipement de sécurité approprié tel que certains masques à poussière conçus spécialement pour filtrer les particules microscopiques.

Symboles

Important : Certains des symboles suivants peuvent être utilisés sur votre outil. Veuillez les étudier et apprendre leur signification. Une interprétation appropriée de ces symboles vous permettra d'utiliser l'outil de façon plus efficace et plus sûre.

Symbole	Nom	Désignation/Explication
V	Volts	Tension (potentielle)
A	Ampères	Courant
Hz	Hertz	Fréquence (cycles par seconde)
W	Watt	Puissance
kg	Kilogrammes	Poids
min	Minutes	Temps
s	Secondes	Temps
∅	Diamètre	Taille des mèches de perceuse, meules, etc.
n_0	Vitesse à vide	Vitesse de rotation, à vide
.../min	Tours ou mouvement alternatif par minute	Tours, coups, vitesse en surface, orbites, etc., par minute,
0	Position d'arrêt	Vitesse zéro, couple zéro ...
1, 2, 3, ... I, II, III, ...	Réglages du sélecteur	Réglages de vitesse, de couple ou de position. Un nombre plus élevé signifie une vitesse plus grande.
	Sélecteur variable à l'infini avec arrêt	La vitesse augmente depuis le réglage 0
	Flèche	Action dans la direction de la flèche
	Courant alternatif	Type ou caractéristique du courant
	Courant continu	Type ou caractéristique du courant
	Courant alternatif ou continu	Type ou caractéristique du courant
	Construction classe II isolation	Désigne des outils construits avec double
	Borne de terre	borne de mise à la terre
	Symbole d'avertissement	Alerte l'utilisateur aux messages d'avertissement.
	Sceau Ni-Cad RBRCmc	Désigne le programme de recyclage des piles Ni-Cad.



Ce symbole signifie que cet outil est approuvé par Underwriters Laboratories.



Ce symbole signifie que cet outil est approuvé conformément aux normes canadiennes par Underwriters Laboratories.



Ce symbole signifie que cet outil se conforme aux normes mexicaines NOM.



Ce symbole signifie que cet outil est approuvé par l'Association canadienne de normalisation.



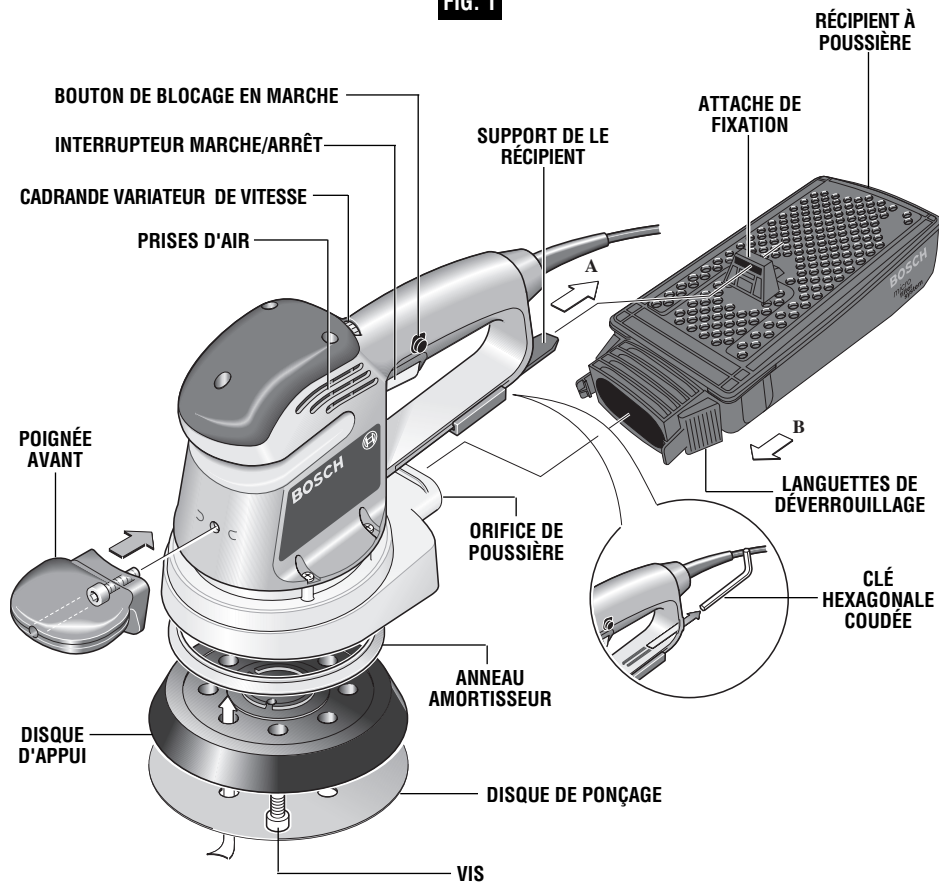
Ce symbole signifie que cet outil est approuvé par Underwriters Laboratories et qu'il a été homologué selon les normes canadiennes par Underwriters Laboratories.

Description fonctionnelle et spécifications

AVERTISSEMENT Débranchez la fiche de la prise de courant avant d'effectuer quelque assemblage ou réglage que ce soit ou de changer les accessoires. Ces mesures de sécurité préventive réduisent le risque d'une mise en marche accidentelle de l'outil.

Ponçeuse à orbite aléatoire

FIG. 1



Numéro de modèle	3725DEVS	3727DEVS
Tension nominale	120 V ~ 50 - 60Hz	120 V ~ 50 - 60Hz
Intensité nominale	3,3 A	3,3 A
Vitesse à vide	n_0 4 500-12 000/min	n_0 4 500-12 000/min
Diamètre du disque	**5 po (125 mm)	**6 po (150 mm)
Diamètre abrasif	**5 po (125 mm)	**6 po (150 mm)

(** = REMARQUE : Les disques de 5" et de 6" ne sont pas interchangeables.)

Assemblage

POSE DU DISQUE D'APPUI

La ponceuse à orbite aléatoire est équipée d'un disque d'appui de consistance souple qui convient aux applications générales. Les disques d'appui plus souples et plus fermes sont surtout réservés aux applications particulières.

Disque d'appui extra souple - Polissage et ponçage des surfaces plus grandes et incurvées.

Disque d'appui souple - Tous les polissages et ponçages généraux.

Disque d'appui ferme - Gros ponçage de surfaces plates, spécialement avec abrasif à gros grains.

Pour changer le disque d'appui, tenez-le fermement et, au moyen de la clé hexagonale coudée, tournez la vis dans le sens contraire des aiguilles d'une montre. Déposez le vieux disque d'appui et placez celui de rechange sur les chevilles de centrage de l'arbre de commande. Remettez la vis en place et serrez-la fermement dans le sens des aiguilles d'une montre avec la clé hexagonale. Les disques d'appui usés ou autrement endommagés doivent être remplacés immédiatement.

AMORTISSEUR DU DISQUE D'APPUI

Votre outil est équipé d'un anneau amortisseur intégré du disque d'appui. Cet amortisseur réduit la vitesse sans charge, ce qui aide à prévenir un marquage accidentel de la surface de travail.

REMARQUE : Si vous observez que la vitesse sans charge augmente progressivement, ceci signifie que l'anneau amortisseur est usé et doit être remplacé.

POSE DES ACCESSOIRES

La ponceuse à orbite aléatoire utilise des accessoires à attaches qui s'accrochent fermement au disque d'appui à la moindre poussée. En cas de substitution, pelez simplement le présent accessoire, essuyez la poussière du disque s'il y a lieu et enfoncez l'accessoire de rechange à sa place. Ayez soin d'aligner les ouvertures du disque abrasif avec celles du disque d'appui si vous voulez que le dispositif d'extraction de la poussière fonctionne efficacement.

La surface du disque d'appui s'use avec le temps et il

devra être remplacé quand il ne tient plus adéquatement. Si vous êtes en mesure d'observer l'usure prématurée de la surface du disque d'appui, appuyez moins fort sur la ponceuse.

MONTAGE DU RÉCIPIENT À POUSSIÈRE

Pour fixer le récipient à poussière, faites coulisser le support du récipient dans le sens de la flèche (A) jusqu'à ce qu'il bute. Insérez l'attache de fixation dans l'évidement du récipient. Ensuite enfitez le support du récipient sur l'attache de fixation dans le sens de la flèche (B) et enfoncez le récipient sur le raccord d'aspiration. Pour l'enlever, inversez la séquence de montage.

RÉCIPIENT DE COLLECTE DE POUSSIÈRE

Le système incorporé d'extraction de poussière recueille le bran de scie dans le récipient fourni avec votre ponceuse. En vue d'accroître l'efficacité au maximum, videz fréquemment le récipient de poussière durant l'utilisation de la scie.

Lorsque le récipient est déposé de l'outil, un accessoire facultatif de tuyau flexible d'aspirateur peut être raccordé à l'orifice poussières.

Pour utiliser cette fonction, fixez l'adaptateur d'aspirateur et le tuyau flexible d'aspirateur (accessoires en option) à l'orifice poussières, raccordez ensuite l'extrémité opposée du tuyau flexible d'aspirateur à un aspirateur d'atelier.

NETTOYAGE ET VIDAGE DU RÉCIPIENT À POUSSIÈRE

Pour vider le récipient à poussière, soulever le couvercle, tapotez le micro-filtre pour en faire tomber l'excès de poussière ou essuyez la poussière avec les doigts ou une brosse douce.

Vous remarquerez peut-être que toute la poussière ne sort pas du récipient. Ceci ne réduira pas la performance de ponçage mais réduira l'efficacité de collecte de poussière.

REMARQUE : Ne lavez pas le micro-filtre à l'eau et au savon car la poussière se logerait plus fermement dans les pores, ce qui réduirait l'aspiration et endommagerait le micro-filtre.

Consignes de fonctionnement

GÂCHETTE DE COMMANDE

Pour mettre l'outil en marche, serrez la gâchette de commande. Pour l'arrêter, relâchez tout simplement la gâchette. L'interrupteur, qui est à ressort, retournera automatiquement à la position d'arrêt.

Si vous voulez que l'interrupteur dure davantage, évitez de l'actionner alors que l'outil est sous charge.

BOUTON DE BLOCAGE EN MARCHÉ

Le bouton de blocage en marche, situé près de la gâchette, assure le fonctionnement continu à la vitesse maximale sans appuyer sur la gâchette.

POUR BLOQUER LA GÂCHETTE EN MARCHÉ: enfoncez la gâchette, appuyez sur le bouton et relâchez la gâchette.

POUR DÉBLOQUER LA GÂCHETTE: enfoncez et relâchez la gâchette sans appuyer sur le bouton de blocage en marche.

⚠ AVERTISSEMENT Le relâchement de la gâchette est impossible si le bouton de blocage en marche est maintenu enfoncé.

VARIATEUR DE VITESSE À CADRAN

Votre ponceuse est aussi équipée d'un variateur de vitesse à cadran. En tournant le cadran du boîtier, il est possible de régler la vitesse orbitale du disque d'appui depuis le repos jusqu'au nombre maximal d'orbites par minute inscrit sur la plaquette emblématique. Le cadran peut être réglé sur ou entre n'importe lequel des six repères (1 = lent à 6 = rapide). De même, le bouton de blocage en marche peut être utilisé avec tout réglage du cadran.

Généralement, vous pouvez vous guider sur le tableau suivant quant au choix des disque abrasif et disque d'appui, mais un essai préalable sur une retaille produira de meilleurs résultats.

POIGNÉE AVANT

Votre ponceuse est équipée d'une poignée avant amovible pour poncer dans des espaces restreints. Pour retirer la poignée, enlevez la vis à l'aide d'une clé Allen. Reposez toujours la poignée pour un

fonctionnement normal. Suivant la nature du travail, vous pouvez tenir l'outil par la poignée arrière seule, la poignée arrière et la poignée avant, ou la poignée arrière et le dessus du logement de moteur à prise douce, de forme ergonomique, conçu à cette fin.

Matériau	Réglage du cadran	Disque d'appui	N° du grain
	brut/fini		
bois:			
bois mous	4 / 6	extra souple	60/240
bois durs	4 / 6	souple	60/180
contreplaqué	4	extra souple	240/320
métaux:			
acier	4	souple	60 / 240
acier inoxydable	4	souple	120/240
aluminium	4 / 6	souple	80/240
taches de rouille	6	extra souple	60/120
peinture:			
ponçage	2/ 3	souple	180/400
égratignures	4 / 6	ferme	120/240
décapage	4	souple	40/60/80

Conseils pratiques

PONÇAGE : L'usage de disques de ponçage d'alumine à revêtement ouvert est recommandé pour la plupart des travaux de ponçage du bois ou des métaux, étant donné que ce matériel synthétique est passablement résistant et travaille en rapidité. Certains travaux, tels que la finition des plastiques, du verre ou de la pierre exigent l'usage de disques au carbure de silicone dont le rebord est très coupant. Pour de meilleurs résultats, utilisez les accessoires de ponçage et de polissage Bosch qui sont de qualité supérieure et sont choisis soigneusement de manière à produire des résultats de qualité professionnelle avec votre ponceuse.

Quand le matériau est fermement en place, appuyez sur la gâchette alors que vous vous apprêtez à poser le disque sur la surface à poncer. NE pesez PAS à l'excès car vous ralentirez le disque et, surtout, NE mettez PAS l'outil en marche et n'accélérez pas avant de le poser sur la surface; dans un cas comme dans l'autre, vous produirez des tourbillons. Généralement, le ponçage aux hautes vitesses et à pression modérée produit les meilleurs résultats. Vous ne gagnez rien en appliquant PLUS DE PRESSION SUR L'OUTIL. Optez plutôt pour un disque à grain plus gros. Déplacez la ponceuse par de longues courses de balayage, en parallèle au grain du bois, en ayant recours à un certain mouvement latéral en vue de chevaucher les courses dans une proportion allant jusqu'à 75 %. L'action orbitale

aléatoire permet de poncer perpendiculairement aux fibres, mais prenez garde de ne pas incliner la ponceuse près des bords pour ne pas les arrondir involontairement.

Si la surface est rugueuse, commencez avec un disque à grain plus gros, puis finissez avec un à grain moyen suivi d'un à grain fin. Étant donné que l'action orbitale aléatoire est si efficace, il est souvent possible de commencer avec un disque de ponçage à grain moyen et passer directement à la finition. Pour éviter de gouger la surface, ne «sautez» pas plus d'une grosseur de grain quand vous passez d'un plus gros grain à un plus fin; ne vous attardez pas trop longtemps au même endroit non plus. À la fin, relâchez la gâchette et levez délicatement l'outil au même moment.

POLISSAGE : La plupart du temps, le disque d'appui souple vous donnera les meilleurs résultats. La ponceuse à orbite aléatoire peut être équipée d'un tampon mousse à polir ou d'une coiffe à polir pour enlever les égratignures des surfaces peintes, des finis, des plastiques et même du verre. Le mode d'emploi est pratiquement le même que celui du ponçage sauf les points suivants:

Pour enlever les égratignures et restaurer les finis altérés par les intempéries, appliquez, sans trop peser,

d'un mouvement circulaire, la pâte à l'aide d'un tampon éponge. N'utilisez pas plus de pâte qu'il faut et nettoyez l'éponge fréquemment.

Lorsque le polissage initial est terminé, essayez l'excès de pâte avec une serviette douce, puis finissez de polir la surface avec la coiffe. Pour de meilleurs résultats, chevauchez délicatement vos courses.

Il importe de noter que la vitesse de l'orbite de la ponceuse à orbite aléatoire n'est pas la même que celle d'une polisseuse d'angle standard. L'action de l'orbite aléatoire se compare favorablement à celle d'un

puissant polissage à la main et, en conséquence, se dispense des hautes vitesses à la circonférence du disque qui peuvent brûler la surface. C'est la raison pour laquelle il est possible d'utiliser cette ponceuse à un régime «OPM» supérieur à celui recommandé pour une polisseuse standard. Exercez-vous sur une partie dissimulée ou une surface d'essai jusqu'à ce que vous ayez établi que l'outil convient à votre application de polissage.

Nettoyez les disque et tampon à polir avec un détergent doux et de l'eau tiède. N'utilisez PAS de dissolvants.

Maintenance

Entretien

⚠ AVERTISSEMENT L'entretien préventif effectué par des employés non autorisés peut entraîner un positionnement erroné des composants et des fils internes, et ainsi causer des dangers sévères. Il est recommandé que l'entretien et la réparation de nos outils soient confiés à un centre de service-usine Bosch ou à un centre de service après-vente Bosch agréé.

GRAISSAGE DE L'OUTIL

Votre outil Bosch a été convenablement graissé et est prêt à utiliser. Il est recommandé que les outils à engrenages soient regraissés avec une graisse spéciale à l'occasion de tout remplacement de balais.

BALAIS DE CHARBON

Les balais et le collecteur de votre outil ont été conçus pour donner plusieurs heures de fonctionnement sans aléas. Pour maintenir le moteur en forme, nous recommandons d'examiner les balais tous les deux à six mois. Vous ne devriez utiliser que les balais de rechange d'origine Bosch qui conviennent spécialement à votre outil.

ROULEMENTS

Après environ 300 à 400 heures d'utilisation, ou à tous les deux remplacements des balais, il faudrait

confier le remplacement des roulements à un centre de service-usine Bosch ou à un centre de service après-vente Bosch agréé. Les roulements qui sont devenus bruyants (à cause de sciage de matériaux très abrasifs ou de durs efforts) devraient être remplacés à l'instant pour éviter la surchauffe et la défaillance du moteur.

Nettoyage

⚠ AVERTISSEMENT Pour éviter le risque d'accidents, débranchez toujours l'outil de la prise de courant avant de procéder au nettoyage ou à l'entretien. Vous pouvez très bien le nettoyer à l'air comprimé. **Dans ce cas, portez toujours des lunettes de sécurité.**

Gardez les prises d'air et les interrupteurs propres et libres de débris. N'essayez pas de les nettoyer en introduisant des objets pointus dans leurs ouvertures.

⚠ MISE EN GARDE Certains produits de nettoyage et dissolvants dont la gazoline, le tétrachlorure de carbone, les nettoyeurs chlorés, l'ammoniaque et les détergents ménagers contenant de l'ammoniaque peuvent abîmer les pièces en plastique.

Accessoires

⚠ AVERTISSEMENT Si un cordon de rallonge s'avère nécessaire, vous devez utiliser un cordon avec conducteurs de dimension adéquate pouvant porter le courant nécessaire à votre outil. Ceci préviendra une chute excessive de tension, une perte de courant ou une surchauffe. Les outils mis à la terre doivent utiliser des cordons de rallonge trifilaires pourvus de fiches à trois broches ainsi que des prises à trois broches.

REMARQUE : Plus le calibre est petit, plus le fil est gros.

DIMENSIONS DE RALLONGES RECOMMANDÉES OUTILS 120 VOLTS COURANT ALTERNATIF

Intensité nominale de l'outil	Longueur en pieds				Longueur en mètres			
	Calibre A.W.G.				Calibre en mm ²			
	25	50	100	150	15	30	60	120
3-6	18	16	16	14	.75	.75	1.5	2.5
6-8	18	16	14	12	.75	1.0	2.5	4.0
8-10	18	16	14	12	.75	1.0	2.5	4.0
10-12	16	16	14	12	1.0	2.5	4.0	—
12-16	14	12	—	—	—	—	—	—

* Clé hexagonale coudée 5 mm

* Récipient à poussière

* Poignée auxiliaire

* Disque d'appui souple

** Disque d'appui extra souple

** Disque d'appui ferme

** Adaptateur de tuyau d'aspiration (extrémité outil)

** Adaptateur de tuyau d'aspiration (extrémité de le récipient)

** Flexible d'aspirateur

(* = équipement de série)

(** = accessoires optionnels)

Normas de seguridad para herramientas mecánicas

⚠ ADVERTENCIA Lea y entienda todas las instrucciones. El incumplimiento de todas las instrucciones indicadas a continuación puede dar lugar a sacudidas eléctricas, incendios y/o lesiones personales graves.

CONSERVE ESTAS INSTRUCCIONES

Area de trabajo

Mantenga el área de trabajo limpia y bien iluminada. Las mesas desordenadas y las áreas oscuras invitan a que se produzcan accidentes.

No utilice herramientas mecánicas en atmósferas explosivas, tales como las existentes en presencia de líquidos, gases o polvos inflamables. Las herramientas mecánicas generan chispas y éstas pueden dar lugar a la ignición del polvo o los vapores.

Mantenga a las personas que se encuentren presentes, a los niños y a los visitantes alejados al utilizar una herramienta mecánica. Las distracciones pueden hacer que usted pierda el control.

Seguridad eléctrica

Las herramientas con aislamiento doble están equipadas con un enchufe polarizado (un terminal es más ancho que el otro). Este enchufe entrará en un tomacorriente polarizado solamente de una manera. Si el enchufe no entra por completo en el tomacorriente, déle la vuelta. Si sigue sin entrar, póngase en contacto con un electricista competente para instalar un tomacorriente polarizado. No haga ningún tipo de cambio en el enchufe. El aislamiento doble elimina la necesidad del sistema de cordón de energía de tres hilos conectado a tierra y la fuente de energía conectada a tierra. *Antes de enchufar la herramienta, asegúrese de que la tensión del tomacorriente suministrada se encuentre dentro del margen de la tensión especificada en la placa del fabricante. No utilice herramientas con capacidad nominal "AC solamente" ("AC only") con una fuente de energía DC.*

Evite el contacto del cuerpo con las superficies conectadas a tierra tales como tuberías, radiadores, estufas de cocina y refrigeradores. Hay mayor riesgo de que se produzcan sacudidas eléctricas si su cuerpo está conectado a tierra. Si la utilización de la herramienta mecánica en lugares húmedos es inevitable, se debe usar un interruptor de circuito para fallos a tierra para suministrar la energía a la herramienta. Los guantes de goma para electricista y el calzado antideslizante aumentarán más la seguridad personal.

No esponga las herramientas mecánicas a la lluvia ni a situaciones húmedas. La entrada de agua en una herramienta mecánica aumentará el riesgo de que se produzcan sacudidas eléctricas.

No abuse del cordón. Nunca use el cordón para llevar las herramientas ni para sacar el enchufe de un tomacorriente. Mantenga el cordón alejado del calor, el aceite, los bordes afilados o las piezas móviles. Cambie los cordones dañados inmediatamente. Los cordones dañados aumentan el riesgo de que se produzcan sacudidas eléctricas.

Al utilizar una herramienta mecánica a la intemperie, utilice un cordón de extensión para intemperie marcado "W-A" o "W". Estos cordones tienen capacidad nominal para uso a la intemperie y reducen el riesgo de que se produzcan sacudidas eléctricas. Consulte "Tamaños recomendados de los cordones de extensión" en la sección Accesorios de este manual.

Seguridad personal

Manténgase alerta, fíjese en lo que está haciendo y use el sentido común cuando utilice una herramienta mecánica. No use la herramienta cuando esté cansado o se encuentre bajo la influencia de drogas, alcohol o medicamentos. Un momento de distracción al utilizar herramientas mecánicas puede dar lugar a lesiones personales graves.

Vístase adecuadamente. No se ponga ropa holgada ni joyas. Sujétese el pelo. Mantenga el pelo, la ropa y los guantes alejados de las piezas móviles. La ropa holgada, las joyas o el pelo largo pueden quedar atrapados en las piezas móviles. Mantenga los mangos secos, limpios y libres de aceite y grasa.

Evite el arranque accidental. Asegúrese de que el interruptor esté en la posición "OFF" (apagado) antes de enchufar la herramienta. El llevar las herramientas con el dedo en el interruptor o el enchufar herramientas que tengan el interruptor en la posición "ON" (encendido) invita a que se produzcan accidentes.

Quite las llaves de ajuste o de tuerca antes de encender la herramienta. Una llave de ajuste o de tuerca que se deje puesta en una pieza giratoria de la herramienta puede ocasionar lesiones personales.

No intente alcanzar demasiado lejos. Mantenga un apoyo de los pies y un equilibrio adecuados en todo momento. El apoyo de los pies y el equilibrio adecuados permiten un mejor control de la herramienta en situaciones inesperadas.

Utilice equipo de seguridad. Use siempre protección de los ojos. Se debe utilizar una máscara antipolvo, zapatos de seguridad antideslizantes, casco o protección de los oídos según lo requieran las condiciones.

Utilización y cuidado de las herramientas

Utilice abrazaderas u otro modo práctico de fijar y soportar la pieza de trabajo a una plataforma estable. La sujeción de la pieza de trabajo con la mano o contra el cuerpo resulta inestable y puede ocasionar pérdida de control.

No fuerce la herramienta. Use la herramienta correcta para la aplicación que desea. La herramienta correcta hará el trabajo mejor y con más seguridad a la capacidad nominal para la que está diseñada.

No utilice la herramienta si el interruptor no la enciende o apaga. Toda herramienta que no se pueda controlar con el interruptor es peligrosa y debe ser reparada.

Desconecte el enchufe de la fuente de energía antes de hacer cualquier ajuste, cambiar accesorios o guardar la herramienta. Estas medidas de seguridad preventivas reducen el riesgo de arrancar la herramienta accidentalmente.

Guarde las herramientas que no esté usando fuera del alcance de los niños y otras personas no capacitadas. Las herramientas son peligrosas en las manos de los usuarios no capacitados.

Mantenga las herramientas con cuidado. Conserve las herramientas de corte afiladas y limpias. Las herramientas mantenidas adecuadamente, con bordes de corte afilados, tienen menos probabilidades de atascarse y son más fáciles de controlar. Toda alteración o modificación constituye un uso incorrecto y puede tener como resultado una situación peligrosa.

Compruebe la desalineación o el atasco de las piezas móviles, la ruptura de piezas y cualquier otra

situación que pueda afectar el funcionamiento de las herramientas. Si la herramienta está dañada, haga que realicen un servicio de ajustes y reparaciones a la herramienta antes de usarla. Muchos accidentes son causados por herramientas mantenidas deficientemente. Establezca un programa de mantenimiento periódico para la herramienta.

Utilice únicamente accesorios que estén recomendados por el fabricante de su modelo. Los accesorios que pueden ser adecuados para una herramienta pueden volverse peligrosos cuando se utilizan en otra herramienta.

Servicio

El servicio de ajustes y reparaciones de una herramienta debe ser realizado únicamente por personal de reparaciones competente. El servicio o mantenimiento realizado por personal no competente podría ocasionar un peligro de que se produzcan lesiones. Por ejemplo: Los cables internos pueden colocarse mal o pellizcarse, los resortes de retorno de los protectores de seguridad pueden montarse inadecuadamente.

Al realizar servicio de ajustes y reparaciones de una herramienta, utilice únicamente piezas de repuesto idénticas. Siga las instrucciones que aparecen en la sección Mantenimiento de este manual. El uso de piezas no autorizadas o el incumplimiento de las instrucciones de Mantenimiento puede ocasionar un peligro de que se produzcan sacudidas eléctricas o lesiones. Ciertos agentes de limpieza, tales como gasolina, tetracloruro de carbono, amoníaco, etc., pueden dañar las piezas de plástico.

Normas de seguridad para lijadoras de órbita al azar

Desenchufe la lijadora antes de cambiar accesorios. Se pueden producir arranques accidentales si la lijadora está enchufada mientras se cambia un accesorio.

Si su herramienta está equipada con una bolsa para polvo, vacíela frecuentemente y después de terminar de lijar. Sea extremadamente cuidadoso al eliminar el polvo, ya que los materiales en forma de partículas finas pueden ser explosivos. No tire el polvo resultante del lijado a un fuego abierto. Al cabo del tiempo se puede producir una combustión espontánea como consecuencia de la mezcla de aceite o agua con las partículas de polvo.

Use siempre protección para los ojos y una máscara antipolvo para aplicaciones que generen polvo y al lijar en alto. Las partículas resultantes del lijado pueden ser absorbidas por los ojos e inhaladas

fácilmente y pueden causar complicaciones de salud.

No lije en mojado con esta lijadora. La entrada de líquidos en la caja del motor constituye un peligro de sacudidas eléctricas.

No utilice la zapata de PSA en lijadoras de órbita al azar cuya velocidad exceda de 12,000 RPM/min. Si se excede la velocidad máxima de funcionamiento de la zapata, ésta puede romperse o salir despedida durante el uso, golpeando al usuario o a las personas que se encuentren presentes.

No use papel de lija diseñado para zapatas de lijar más grandes. El papel de lija más grande sobresaldrá de la zapata de lijar, causando atasco y rasgado del papel o retroceso. El papel extra que sobresalga de la zapata de lijar también puede causar laceraciones graves.

Conozca la ubicación y la posición del botón de "Fijación en ON" del interruptor. Si el interruptor está fijado en la posición "ON" (encendido), esté preparado para cambiarlo a "OFF" (apagado) en situaciones de emergencia, apretando primero el gatillo y soltándolo inmediatamente después sin oprimir el botón de "Fijación en ON".

Fije con abrazaderas o asegure la pieza de trabajo al lijar. Al fijar con abrazaderas la pieza de trabajo se evita que ésta salga despedida de debajo de la lijadora y se dejan libres las dos manos para controlar la herramienta.

Mantenga el cordón alejado de la zapata y del papel de lija que giran. El cordón se puede enredar en la zapata.

⚠ ADVERTENCIA Cierta polvo generado por el lijado, aserrado, amolado y taladrado mecánicos, y por otras actividades de construcción, contiene agentes químicos que se sabe que causan cáncer, defectos de nacimiento u otros daños sobre la reproducción. Algunos ejemplos de estos agentes químicos son:


- Plomo de pinturas a base de plomo,
- Sílice cristalina de ladrillos y cemento y otros productos de mampostería, y
- Arsénico y cromo de madera tratada químicamente.


Su riesgo por causa de estas exposiciones varía, dependiendo de con cuánta frecuencia realice este tipo de trabajo. Para reducir su exposición a estos agentes químicos: trabaje en un área bien ventilada y trabaje con equipo de seguridad aprobado, como por ejemplo máscaras antipolvo que estén diseñadas especialmente para impedir mediante filtración el paso de partículas microscópicas.

Símbolos

Importante: Es posible que algunos de los símbolos siguientes se usen en su herramienta. Por favor, estúdielos y aprenda su significado. La interpretación adecuada de estos símbolos le permitirá utilizar la herramienta mejor y con más seguridad.


Símbolo	Nombre	Designación/explicación
V	Volt	Tensión (potencial)
A	Ampere	Corriente
Hz	Hertz	Frecuencia (ciclos por segundo)
W	Watt	Potencia
kg	Kilogramo	Peso
min	Minuto	Tiempo
s	Segundo	Tiempo
∅	Diámetro	Tamaño de las brocas taladradoras, muelas, etc.,
n_0	Velocidad sin carga	Velocidad rotacional sin carga
.../min	Revoluciones o alternación por minuto	Revoluciones, golpes, velocidad de superficie, órbitas, etc., por minuto
0	Posición "off" (apagado)	Velocidad cero, par motor cero...
1, 2, 3, ... I, II, III,	Graduaciones del selector	Graduaciones de velocidad, par motor o posición. Un número más alto significa mayor velocidad selector settings
	Selector infinitamente variable con apagado	La velocidad aumenta desde la graduación de 0
	Flecha	Acción en la dirección de la flecha
	Corriente alterna	Tipo o una característica de corriente
	Corriente continua	Tipo o una característica de corriente
	Corriente alterna o continua	Tipo o una característica de corriente
	Construcción de clase II	Designa las herramientas de construcción con aislamiento doble.
	Terminal de toma de tierra	Terminal de conexión a tierra
	Símbolo de advertencia	Alerta al usuario sobre mensajes de advertencia
	Sello RBRCTM de Ni-Cd	Designa el programa de reciclaje de baterías de Ni-Cd


 Este símbolo indica que esta herramienta está catalogada por Underwriters Laboratories.

 Este símbolo indica que Underwriters Laboratories ha catalogado esta herramienta indicando que cumple las normas canadienses.



Este símbolo indica que esta herramienta cumple con la norma mexicana oficial (NOM).

 Este símbolo indica que esta herramienta está catalogada por la Canadian Standards Association.

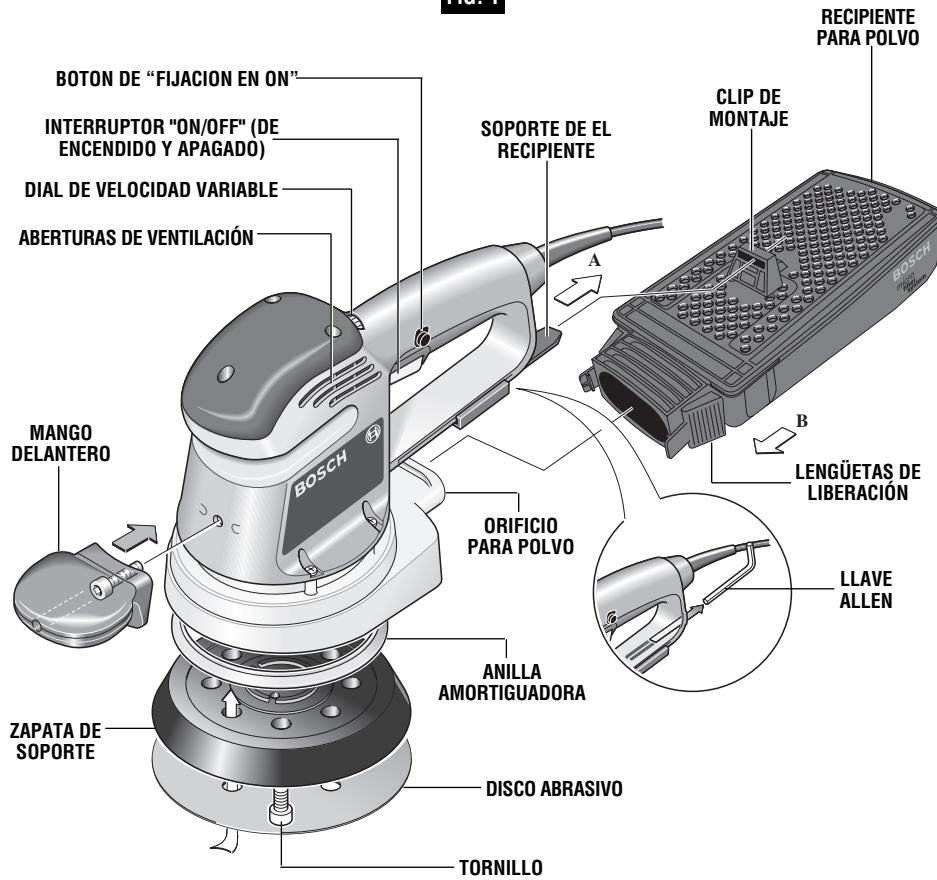
 Este símbolo indica que esta herramienta está catalogada por Underwriters Laboratories y que Underwriters Laboratories la ha catalogado según las normas canadienses.

Descripción funcional y especificaciones

⚠ ADVERTENCIA Desconecte el enchufe de la fuente de energía antes de realizar cualquier ensamblaje o ajuste, o cambiar accesorios. Estas medidas de seguridad preventivas reducen el riesgo de arrancar la herramienta accidentalmente.

Lijadora de órbita al azar

FIG. 1



Número de modelo	3725DEVS	3727DEVS
Tensión nominal	120 V ~ 50 - 60Hz	120 V ~ 50 - 60Hz
Amperaje nominal	3,3 A	3,3 A
Velocidad sin carga	n_0 4 500-12 000/min	n_0 4 500-12 000/min
Diámetro de la zapata	** (125 mm)	** (150 mm)
Diámetro del abrasivo	** (125 mm)	** (150 mm)

(* ** = NOTA: Las zapatas de 5" y 6" no son intercambiables.)

Ensamblaje

INSTALACION DE LA ZAPATA DE SOPORTE

La lijadora de órbita al azar está equipada con una zapata de soporte de dureza blanda, la cual es adecuada para servicio general. Hay zapatas más duras y más blandas disponibles para otros propósitos y en general se utilizan como se indica a continuación:

Zapata extra blanda - Pulido o lijado de superficies grandes o curvadas.

Zapata blanda - Lijado y pulido generales para todo propósito.

Zapata dura - Lijado fuerte sobre superficies planas, especialmente con abrasivos más gruesos.

Para cambiar la zapata de soporte, sujete la zapata firmemente y gire el tornillo en sentido contrario al de las agujas del reloj con la llave Allen. Quite la zapata vieja y coloque la zapata nueva sobre los pasadores posicionadores del eje motriz. Vuelva a colocar el tornillo y apriételo firmemente en el sentido de las agujas del reloj con la llave Allen. Las zapatas de soporte dañadas o desgastadas se deben cambiar inmediatamente.

AMORTIGUADOR DE LA ZAPATA DE SOPORTE

La herramienta está equipada con una anilla amortiguadora integral de la zapata de soporte. Este amortiguador reduce la velocidad sin carga, lo cual ayuda a evitar el marcado accidental de la superficie de la pieza de trabajo.

NOTA: Si observa un aumento constante de la velocidad sin carga, esto indica que la anilla amortiguadora está desgastada y que hay que cambiarla.

INSTALACION DE ACCESORIOS

La lijadora de órbita al azar utiliza accesorios con soporte de enganche y cierre, los cuales agarran firmemente la zapata cuando se aplican con una presión moderada. Para cambiar el accesorio, simplemente despegue el accesorio viejo, quite el polvo de la zapata si es necesario y presione sobre el accesorio nuevo para colocarlo en su sitio. Asegúrese de alinear los agujeros del disco de lijar con los agujeros de la zapata de soporte para permitir que el sistema de extracción de polvo funcione.

Después de un servicio considerable, la superficie de la zapata se desgastará y la zapata se debe cambiar cuando ya no ofrezca un agarre firme. Si se produce un desgaste prematuro del refrentado de la zapata, reduzca la cantidad de presión que usted ejerce durante la utilización de la herramienta.

INSTALACIÓN DEL RECIPIENTE PARA POLVO

Para acoplar el recipiente para polvo, deslice el soporte del recipiente en el sentido de la flecha (A) hasta que se detenga. Introduzca el clip de montaje en el bolsillo provisto en el recipiente. Luego, deslice el soporte del recipiente a través del clip de montaje en el sentido de la flecha (B) y empuje el recipiente sobre el orificio para polvo. Para quitar el recipiente para polvo, invierta este procedimiento.

RECIPIENTE DE RECOLECCIÓN DE POLVO

El sistema de extracción de polvo integrado recoge en el recipiente suministrado con la lijadora el polvo generado al lijar. Para lograr una eficacia máxima, el recipiente para polvo debe vaciarse frecuentemente durante el funcionamiento.

Cuando se quite el recipiente de la herramienta, se puede acoplar al orificio para polvo un accesorio de manguera de aspiración opcional.

Para utilizar este dispositivo, acople un adaptador de aspiración y una manguera de aspiración (accesorios opcionales) al orificio para polvo y luego conecte el extremo opuesto de la manguera de aspiración a una aspiradora de taller.

LIMPIEZA Y VACIADO DEL RECIPIENTE PARA POLVO

Para vaciar la lata, levante la tapa de la lata. Haga salir el exceso de polvo del microfiltro dando golpecitos o quite el polvo con los dedos o con un cepillo suave.

Es posible que no todo el polvo salga del recipiente. Esto no afectará el rendimiento de lijado, pero reducirá la eficacia de recolección de polvo.

NOTA: No lave el microfiltro con agua y jabón. El polvo podría incrustarse más firmemente en los poros, lo cual reducirá la recolección de polvo y dañará el microfiltro.

Instrucciones de funcionamiento

INTERRUPTOR GATILLO "ON/OFF" (DE ENCENDIDO Y APAGADO)

Para encender la herramienta (posición "ON"), apriete el interruptor gatillo. Para apagar la herramienta (posición "OFF"), suelte el interruptor gatillo que está accionado por resorte y volverá a la posición "OFF" automáticamente. Para prolongar la vida del

interruptor, no encienda ni apague el interruptor cuando la herramienta esté sometida a carga.

BOTON DE "FIJACION EN ON"

El botón de "Fijación en ON", ubicado cerca del gatillo, permite el funcionamiento continuo a OPM máximas sin sujetar el gatillo.

PARA FIJAR EL GATILLO EN LA POSICION "ON": apriete el gatillo, oprima el botón y suelte el gatillo.

PARA DESBLOQUEAR EL GATILLO: apriete el gatillo y suéltelo sin oprimir el botón de "Fijación en ON".

⚠ ADVERTENCIA Si se oprime continuamente el botón de "Fijación en ON", no se puede soltar el gatillo.

VELOCIDAD VARIABLE CON AJUSTE DE DIAL

La lijadora también está equipada con un dial de velocidad variable. La velocidad orbital de la zapata de la lijadora se puede prefijar desde cero hasta las OPM máximas indicadas en la placa del fabricante girando el dial que está en la caja protectora. El dial se puede situar en una de seis posiciones o entre cualquiera de ellas (1=baja a 6=alta). El botón de "Fijación en ON" también se puede utilizar con cualquier posición del dial.

La tabla siguiente se puede utilizar como guía general para la selección del abrasivo y de la zapata de soporte, pero los mejores resultados se obtendrán lijando primero una muestra de prueba de la pieza de trabajo.

MANGO DELANTERO

La lijadora está equipada con un mango delantero extraíble para poder para lijar en espacios reducidos. Para quitar el mango, saque el tornillo con la llave

Allen. Vuelva a instalar siempre el mango para la utilización normal. Según el trabajo, puede agarrar el mango trasero solo, el mango trasero y el mango delantero o el mango trasero y la parte superior de la caja del motor de agarre suave con contorno ergonómico, que está diseñada para ese fin.

Material	Posición del interruptor	Zapata de soporte	Tamaño del grano
	basto/acabado		basto/acabado
maderas:			
maderas blandas	4/6	extra blanda	60/240
maderas duras	4/6	blanda	60/180
enchapados	4	extra blanda	240/320
metales:			
acero	4	blanda	60/240
inoxidable	4	blanda	120/240
aluminio	4/6	blanda	80/240
áreas de herrumbre	6	extra blanda	60/120
piezas pintadas:			
lijado	2/3	blanda	180/400
arañazos	4/6	dura	120/240
desferrado	4	blanda	40/60/80

“Consejos para la herramienta”

LIJADO: los discos de lijar de capa abierta de óxido de aluminio se recomiendan para la mayoría de las aplicaciones de lijado de madera o metal, ya que este material sintético corta rápidamente y resiste bien. Algunas aplicaciones, tales como el lijado de plásticos, vidrio o piedra requieren discos de carburo de silicio, que tienen un borde de corte muy afilado. Para obtener resultados óptimos, utilice accesorios de lijar y pulir Bosch, que son de calidad superior y se seleccionan cuidadosamente para producir resultados de calidad profesional con la lijadora.

Con la pieza de trabajo sujeta firmemente, oprima el interruptor a la vez que aplica la zapata a la superficie de trabajo. NO ejerza una presión excesiva, ya que esto retardará la acción de la zapata y NO arranque la herramienta y deje que alcance toda su velocidad antes de aplicarla a la superficie de trabajo; en ambos casos se producirán marcas de remolino. En general, las velocidades más altas y una presión moderada producirán los mejores resultados. Si se desea una remoción más rápida, NO AUMENTE LA PRESION SOBRE LA HERRAMIENTA; utilice un grado más grueso de abrasivo. Mueva la lijadora en pasadas de barrido largas, paralelas a la veta, utilizando un ligero movimiento lateral para superponer las pasadas hasta en un 75%. La acción de órbita al azar permite el lijado en dirección transversal a la veta, pero tenga cuidado

de no inclinar la lijadora cerca de los bordes o se puede producir un redondeo no deseado.

Si la superficie es áspera, comience con granos más gruesos y luego termine el alisamiento con abrasivos medianos y finos. Como la acción de órbita al azar es tan eficaz, a menudo es posible comenzar a lijar con un disco de grano mediano y pasar directamente al acabado fino. Para evitar resultados desiguales, no se salte más de un tamaño de grano cuando pase de más grueso a más fino, y no lije en un área demasiado tiempo. Cuando se haya acabado el trabajo, suelte el interruptor y al mismo tiempo levante suavemente la herramienta de la superficie de trabajo.

PULIDO: para la mayoría de los trabajos de pulido, la zapata de soporte blanda producirá los mejores resultados. A la lijadora de órbita al azar se le puede colocar una zapata de pulir de espuma o una cubierta de pulir para pulir o quitar arañazos de superficies pintadas o acabadas, plásticos e incluso vidrio. La herramienta se utiliza de manera muy parecida a como cuando se lija, pero se deben observar los puntos siguientes:

Aplique la pasta de pulir a la superficie y utilice la esponja aplicadora con una presión ligera y un movimiento circular para quitar arañazos y restaurar acabados desgastados por la intemperie. Utilice sólo

tanta pasta como sea necesario y limpie la esponja frecuentemente durante su utilización.

Cuando se haya terminado el pulido inicial, limpie el exceso de pasta con una toalla suave y luego pule la superficie hasta su acabado final con la cubierta de pulir. Realice pasadas suaves y superpuestas para obtener mejores resultados.

Es importante mencionar que la velocidad orbital de la lijadora de órbita al azar no es la misma que las RPM de una pulidora de ángulo recto estándar. La acción de órbita al azar es muy parecida a una poderosa

acción de pulido a mano y por lo tanto no tiene al borde de la zapata las altas velocidades que pueden quemar la superficie de trabajo. Por esta razón, es posible seleccionar unas OPM más altas para la lijadora de órbita al azar que las RPM recomendadas para una pulidora estándar. Practique en un área oculta o en una superficie de prueba hasta que haya determinado que la herramienta es adecuada para la aplicación de pulido que desea realizar.

Limpie la zapata de pulir y la cubierta de pulir con detergentes suaves y agua tibia. NO utilice disolventes.

Mantenimiento

Servicio

⚠ ADVERTENCIA El mantenimiento preventivo realizado por personal no autorizado puede dar lugar a la colocación incorrecta de cables y componentes internos que podría constituir un peligro serio. Recomendamos que todo el servicio de las herramientas sea realizado por un Centro de servicio de fábrica Bosch o por una Estación de servicio Bosch autorizada.

LUBRICACION DE LAS HERRAMIENTAS

Su herramienta Bosch ha sido lubricada adecuadamente y está lista para la utilización. Se recomienda que las herramientas con engranajes se vuelvan a engrasar con un lubricante especial para engranajes en cada cambio de escobillas.

ESCOBILLAS DE CARBÓN

Las escobillas y el conmutador de la herramienta han sido diseñados para muchas horas de servicio fiable. Para mantener un rendimiento óptimo del motor, recomendamos que cada dos a seis meses se examinen las escobillas. Sólo se deben usar escobillas de repuesto Bosch genuinas diseñadas específicamente para su herramienta.

RODAMIENTOS

Después de 300-400 horas de funcionamiento, o después de cada segundo cambio de escobillas, los

rodamientos deben cambiarse en un Centro de servicio de fábrica Bosch o en una Estación de servicio Bosch autorizada. Los rodamientos que se vuelven ruidosos (debido a la pesada carga o al corte de materiales muy abrasivos) deben ser sustituidos inmediatamente para evitar el sobrecalentamiento o el fallo del motor.

Limpieza

⚠ ADVERTENCIA Para evitar accidentes desconecte siempre la herramienta de la fuente de energía antes de la limpieza o de la realización de cualquier mantenimiento. La herramienta se puede limpiar más eficazmente con aire comprimido seco. Use gafas de seguridad siempre que limpie herramientas con aire comprimido.

Las aberturas de ventilación y las palancas de interruptor deben mantenerse limpias y libres de materias extrañas. No intente limpiar introduciendo objetos puntiagudos a través de las aberturas.

⚠ PRECAUCION Ciertos agentes de limpieza y disolventes dañan las piezas de plástico. Algunos de estos son: gasolina, tetracloruro de carbono, disolventes de limpieza clorados, amoníaco y detergentes domésticos que contienen amoníaco.

Accesorios

⚠ ADVERTENCIA Si es necesario un cordón de extensión, se debe usar un cordón con conductores de tamaño adecuado que sea capaz de transportar la corriente necesaria para la herramienta. Esto evitará caídas de tensión excesivas, pérdida de potencia o recalentamiento. Las herramientas conectadas a tierra deben usar cordones de extensión de 3 hilos que tengan enchufes de 3 terminales y receptáculos para 3 terminales.

NOTA: Cuanto más pequeño es el número de calibre, más grueso es el cordón.

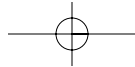
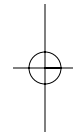
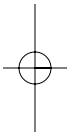
TAMAÑOS RECOMENDADOS DE CORDONES DE EXTENSION HERRAMIENTAS DE 120 V CORRIENTE ALTERNA

Capacidad nominal en amperes de la herramienta	Tamaño del cordón en A.W.G.				Tamaños del cable en mm ²			
	Longitud del cordón en pies				Longitud del cordón en metros			
	25	50	100	150	15	30	60	120
3-6	18	16	16	14	0,75	0,75	1,5	2,5
6-8	18	16	14	12	0,75	1,0	2,5	4,0
8-10	18	16	14	12	0,75	1,0	2,5	4,0
10-12	16	16	14	12	1,0	2,5	4,0	—
12-16	14	12	—	—	—	—	—	—

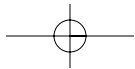
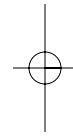
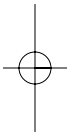
- * Llave Allen 5mm
- * Recipiente para polvo
- * Mango auxiliar
- * Zapata de soporte blanda
- ** Zapata de soporte extra blanda
- ** Zapata de soporte dura
- ** Adaptador para manguera de aspiración (extremo de la herramienta)

- ** Adaptador para manguera de aspiración (extremo de el recipiente)
- ** Manguera de aspiración
- (* = equipo estándar)
- (** = accesorios opcionales)

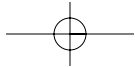
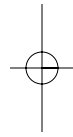
Notes:



Remarques :



Notas:



LIMITED WARRANTY OF BOSCH PORTABLE AND BENCHTOP POWER TOOLS

S-B Power Tool Company ("Seller") warrants to the original purchaser only, that all BOSCH portable and benchtop power tools will be free from defects in material or workmanship for a period of one year from date of purchase. SELLER'S SOLE OBLIGATION AND YOUR EXCLUSIVE REMEDY under this Limited Warranty and, to the extent permitted by law, any warranty or condition implied by law, shall be the repair or replacement of parts, without charge, which are defective in material or workmanship and which have not been misused, carelessly handled, or misrepaired by persons other than Seller or Authorized Service Station. To make a claim under this Limited Warranty, you must return the complete portable or benchtop power tool product, transportation prepaid, to any BOSCH Factory Service Center or Authorized Service Station. For Authorized BOSCH Power Tool Service Stations, please refer to your phone directory.

THIS LIMITED WARRANTY DOES NOT APPLY TO ACCESSORY ITEMS SUCH AS CIRCULAR SAW BLADES, DRILL BITS, ROUTER BITS, JIGSAW BLADES, SANDING BELTS, GRINDING WHEELS AND OTHER RELATED ITEMS.

ANY IMPLIED WARRANTIES SHALL BE LIMITED IN DURATION TO ONE YEAR FROM DATE OF PURCHASE. SOME STATES IN THE U.S., SOME CANADIAN PROVINCES DO NOT ALLOW LIMITATIONS ON HOW LONG AN IMPLIED WARRANTY LASTS, SO THE ABOVE LIMITATION MAY NOT APPLY TO YOU.

IN NO EVENT SHALL SELLER BE LIABLE FOR ANY INCIDENTAL OR CONSEQUENTIAL DAMAGES (INCLUDING BUT NOT LIMITED TO LIABILITY FOR LOSS OF PROFITS) ARISING FROM THE SALE OR USE OF THIS PRODUCT. SOME STATES IN THE U.S. AND SOME CANADIAN PROVINCES DO NOT ALLOW THE EXCLUSION OR LIMITATION OF INCIDENTAL OR CONSEQUENTIAL DAMAGES, SO THE ABOVE LIMITATION OR EXCLUSION MAY NOT APPLY TO YOU.

THIS LIMITED WARRANTY GIVES YOU SPECIFIC LEGAL RIGHTS, AND YOU MAY ALSO HAVE OTHER RIGHTS WHICH VARY FROM STATE TO STATE IN THE U.S., PROVINCE TO PROVINCE IN CANADA AND FROM COUNTRY TO COUNTRY.

THIS LIMITED WARRANTY APPLIES ONLY TO PORTABLE AND BENCHTOP ELECTRIC TOOLS SOLD WITHIN THE UNITED STATES OF AMERICA, CANADA AND THE COMMONWEALTH OF PUERTO RICO. FOR WARRANTY COVERAGE WITHIN OTHER COUNTRIES, CONTACT YOUR LOCAL BOSCH DEALER OR IMPORTER.

GARANTIE LIMITÉE DES OUTILS ÉLECTRIQUES PORTATIFS ET D'ÉTABLI BOSCH

S-B Power Tool Company (le « vendeur ») garantit à l'acheteur initial seulement que tous les outils électriques portatifs et d'établi BOSCH seront exempts de vices de matériaux ou d'exécution pendant une période d'un an depuis la date d'achat. LA SEULE OBLIGATION DU VENDEUR ET LE SEUL RECOURS DE L'ACHETEUR sous la présente garantie limitée, et en autant que la loi le permette sous toute garantie ou condition implicite qui en découlerait, sera l'obligation de remplacer ou réparer gratuitement les pièces défectueuses matériellement ou comme fabrication, pourvu que les dites défectiosités ne soient pas attribuables à un usage abusif ou à quelque réparation bricolée par quelqu'un d'autre que le vendeur ou le personnel d'une station-service agréée. Pour présenter une réclamation en vertu de cette garantie limitée, vous devez renvoyer l'outil électrique portatif ou d'établi complet, port payé, à tout centre de service agréé ou centre de service usine. Veuillez consulter votre annuaire téléphonique pour les adresses.

LA PRÉSENTE GARANTIE NE S'APPLIQUE PAS AUX ACCESSOIRES TELS QUE LAMES DE SCIES CIRCULAIRES, MÊCHES DE PERCEUSES, FERS DE TOUPIES, LAMES DE SCIES SAUTEUSES, COURROIES DE PONÇAGE, MEULES ET AUTRES ARTICLES DU GENRE.

TOUTE GARANTIE IMPLICITE SERA LIMITÉE COMME DURÉE À UN AN À COMPTER DE LA DATE D'ACHAT. CERTAINS ÉTATS AMÉRICAINS, CERTAINES PROVINCES CANADIENNES N'ADMETTANT PAS LE PRINCIPE DE LA LIMITATION DE LA DURÉE DES GARANTIES IMPLICITES, IL EST POSSIBLE QUE LES LIMITATIONS CI-DESSUS NE S'APPLIQUENT PAS À VOTRE CAS.

EN AUCUN CAS LE VENDEUR NE SAURAIT ÊTRE TENU POUR RESPONSABLE DES INCIDENTS OU DOMMAGES INDIRECTS (INCLUANT, MAIS NE SE LIMITANT PAS AUX PERTES DE PROFITS) CONSÉQUENTS À LA VENTE OU L'USAGE DE CE PRODUIT. CERTAINS ÉTATS AMÉRICAINS ET CERTAINES PROVINCES CANADIENNES N'ADMETTANT PAS LE PRINCIPE DE LA LIMITATION NI L'EXCLUSION DES DOMMAGES INDIRECTS ET CONSÉQUENTIELS, IL EST POSSIBLE QUE LES LIMITATIONS OU EXCLUSIONS CI-DESSUS NE S'APPLIQUENT PAS À VOTRE CAS.

LA PRÉSENTE GARANTIE VOUS ACCORDE DES DROITS BIEN DÉTERMINÉS, Y COMPRIS POSSIBLEMENT CERTAINS DROITS VARIABLES DANS LES DIFFÉRENTS ÉTATS AMÉRICAINS, PROVINCES CANADIENNES.

CETTE GARANTIE LIMITÉE NE S'APPLIQUE QU'AUX OUTILS ÉLECTRIQUES PORTATIFS ET D'ÉTABLI VENDUS AUX ÉTATS-UNIS D'AMÉRIQUE, AU CANADA ET AU COMMONWEALTH DE PORTO RICO. POUR COUVERTURE DE GARANTIE DANS LES AUTRES PAYS, CONTACTEZ VOTRE IMPORTATEUR OU REVENDEUR BOSCH LOCAL.

GARANTIA LIMITADA PARA HERRAMIENTAS MECANICAS PORTATILES Y PARA TABLERO DE BANCO BOSCH

S-B Power Tool Company ("el Vendedor") garantiza, únicamente al comprador original, que todas las herramientas mecánicas portátiles y para tablero de banco BOSCH estarán libres de defectos de material o de fabricación durante un período de un año a partir de la fecha de compra. LA ÚNICA OBLIGACION DEL VENDEDOR Y EL RECURSO EXCLUSIVO QUE USTED TIENE bajo esta Garantía Limitada y, hasta donde la ley lo permita, bajo cualquier garantía o condición implícita por ley, consistirá en la reparación o sustitución sin costo de las piezas que presenten defectos de material o de fabricación y que no hayan sido utilizadas incorrectamente, manejadas descuidadamente o reparadas incorrectamente por personas que no sean el Vendedor o una Estación de servicio autorizada. Para efectuar una reclamación bajo esta Garantía Limitada, usted debe devolver el producto, que consiste en la herramienta mecánica portátil o para tablero de banco completa, con el transporte pagado, a cualquier Centro de servicio de fábrica o Estación de servicio autorizada. Para Estaciones de servicio autorizadas de herramientas mecánicas BOSCH, por favor, consulte el directorio telefónico.

ESTA GARANTIA LIMITADA NO SE APLICA A ARTICULOS ACCESORIOS TALES COMO HOJAS PARA SIERRAS CIRCULARES, BROCAS PARA TALADROS, BROCAS PARA FRESADORAS, HOJAS PARA SIERRAS DE VAIVEN, CORREAS PARA LIJAR, RUEDAS DE AMOLAR Y OTROS ARTICULOS RELACIONADOS.

TODAS LAS GARANTIAS IMPLICITAS TENDRAN UNA DURACION LIMITADA A UN AÑO A PARTIR DE LA FECHA DE COMPRA. ALGUNOS ESTADOS DE LOS EE.UU., ALGUNAS PROVINCIAS CANADIENSES NO PERMITEN LIMITACIONES EN CUANTO A LA DURACION DE UNA GARANTIA IMPLICITA, POR LO QUE ES POSIBLE QUE LA LIMITACION ANTERIOR NO SEA APLICABLE EN EL CASO DE USTED.

EL VENDEDOR NO SERA RESPONSABLE EN NINGUN CASO DE NINGUN DAÑO INCIDENTAL O EMERGENTE (INCLUYENDO PERO NO LIMITADO A RESPONSABILIDAD POR PERDIDA DE BENEFICIOS) QUE SE PRODUZCA COMO CONSECUENCIA DE LA VENTA O UTILIZACION DE ESTE PRODUCTO. ALGUNOS ESTADOS DE LOS EE.UU. Y ALGUNAS PROVINCIAS CANADIENSES NO PERMITEN LA EXCLUSION O LIMITACION DE LOS DAÑOS INCIDENTALES O EMERGENTES, POR LO QUE ES POSIBLE QUE LA LIMITACION O EXCLUSION ANTERIOR NO SEA APLICABLE EN EL CASO DE USTED.

ESTA GARANTIA LIMITADA LE CONFIERE A USTED DERECHOS LEGALES ESPECIFICOS Y ES POSIBLE QUE USTED TAMBIEN TENGA OTROS DERECHOS QUE VARIAN DE ESTADO A ESTADO EN LOS EE.UU., DE PROVINCIA A PROVINCIA EN CANADA.

ESTA GARANTIA LIMITADA SE APLICA SOLAMENTE A HERRAMIENTAS ELECTRICAS PORTATILES Y PARA TABLERO DE BANCO VENDIDAS EN LOS ESTADOS UNIDOS DE AMERICA, CANADA Y EL ESTADO LIBRE ASOCIADO DE PUERTO RICO. PARA COBERTURA DE GARANTIA EN OTROS PAISES, PONGASE EN CONTACTO CON SU DISTRIBUIDOR O IMPORTADOR LOCAL DE BOSCH.

© S-B POWER TOOL COMPANY 4300 W. PETERSON AVENUE CHICAGO, IL 60646 USA

EXPORTADO POR: S.B. POWER TOOL COMPANY, CHICAGO, IL 60646, E.U.A.

IMPORTADO POR: ROBERT BOSCH S.A. DE C.V., CALLE ROBERT BOSCH NO. 405, ZONA INDUSTRIAL TOLUCA, MÉXICO. C.P. 50070 TEL. (72) 792300