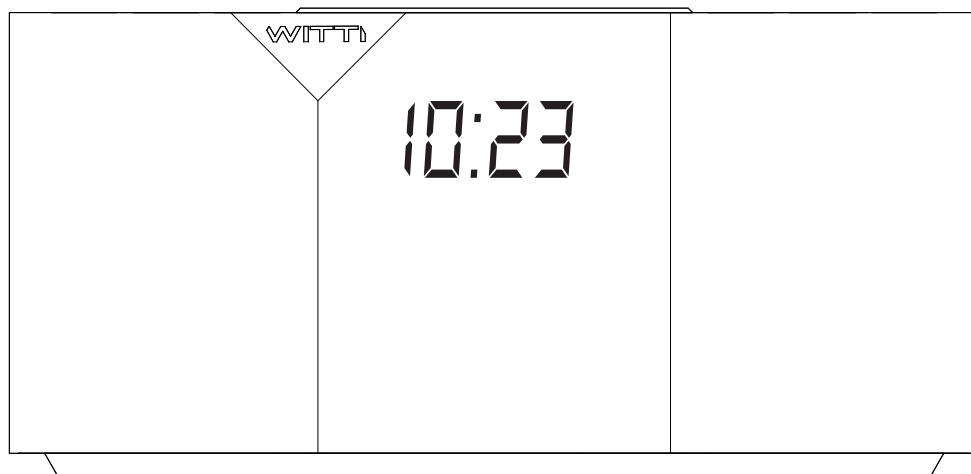


WITTI
AMAZING LITTLE THINGS

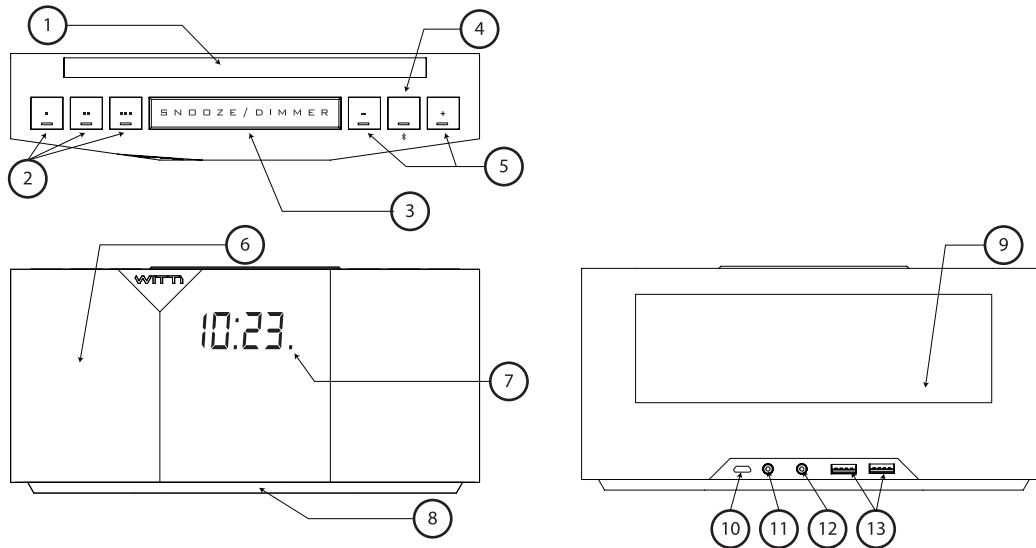


Instruction Manual

for

BEDDI

BEDDI Instruction Manual



Understanding BEDDI Controls

- 1 Smartphone Holder – You can leave your smartphone here while it is charging. Supports up to a phone with a 5.7” screen.
- 2 Smart Buttons – You can customize these 3 smart buttons via the App to trigger commands such as “phone finder”, “turn off my Philips Hue”, “play Spotify music”, etc. Each Smart Button has three modes – single press, double press, and long press.
- 3 Snooze/Dimmer – Press to snooze the alarm, or to adjust the clock brightness.
Long Press to wake up the clock face for 5s (Support on Firmware v2.2.9 or later)
- 4 Play/Pause/Alarm off | Bluetooth button – Play/pause when music is playing. Turn off alarm.
Long press to connect/disconnect Bluetooth audio.
- 5 Volume Control – Let you adjust the volume when music is playing. Can be used to skip tracks in advance control mode (configurable in app General Settings).
- 6 2 High Quality Speakers
- 7 Bluetooth (Audio) status light – If Bluetooth audio is connected, the status light will be on. The Bluetooth control (BLE) is always connected when in range (unless your phone’s Bluetooth is off, or BEDDI app is not running).
- 8 Mood Light – 16 Million Color mood light with various light effects. You can press a smart button to turn it on/off. Settings can be customized via app.

- 9 Wake Up light – Warm white light mimics sunlight in the morning to wake you up gradually, and peacefully. You can press a smart button to turn it on/off. Settings can be customized via app.
- 10 Service Port – This is only needed if firmware update is required.
- 11 5.5V 3A Power Input – Plug in the provided adaptor.
- 12 Aux in/FM Antenna – Plug in the provided FM Antenna if you wish to listen to FM radio, or use as Aux in port (Aux in cable not included).
- 13 2x USB Charging Port 2.1A, 1A – Charge your phone/tablet or other devices. Use the 2.1A for devices that require higher power, such as a tablet.

Setting Up BEDDI

Plug in the BEDDI with the provided power adaptor
Download the BEDDI app on iOS or Android (keyword: BEDDI)
Run the BEDDI app, and follow the setup wizard to configure your BEDDI

Setting the Time

BEDDI time is automatically synced to your smartphone once you are connected

Connecting Bluetooth

BEDDI has two Bluetooth connections. Bluetooth Classic (Audio) for playing your music, and Bluetooth Low Energy (BLE) for controlling your phone.

Bluetooth Audio

After pairing the first time, you can press and hold the “play/pause” button to connect to BEDDI when in range.

The Bluetooth indicator light will start flashing when BEDDI is trying to connect to your phone, and will stay on once it is connected.

User can also connect using the phone Bluetooth settings. Please note that BEDDI Bluetooth is always on and waiting for connection.

Bluetooth Control

BEDDI uses BLE for control. Once your app is connected to BEDDI, it remains connected as long as your phone is in range, unless you a) turn off your Bluetooth on your phone, b) stop the BEDDI App, or c) use the app to disconnect the connection.

Please note that the BLE connection must be active for some of the smart functions to work (i.e., Spotify as your alarm sound, weather, traffic update).

Functions

Alarm

BEDDI features 4 different alarm settings. For each alarm, you can select a specific day or days of the week, the alarm sound, an option to activate the wake-up light, and the option to play weather and traffic information.

Alarm Sounds:

Default: You can choose from our pre-defined ring tones. Please note that even if your phone is not connected to BEDDI, the default alarm sound can still be played.

FM Radio: Your favorite radio station can be used as the alarm sound (please see FM Radio section on setting up favorite radio station). Please note that even if your phone is not connected to BEDDI, the FM Radio can still be played.

Bluetooth Music: The last song that was played on your phone will be used. Please note that there must be an active music player on your phone, and the phone must be connected to BEDDI via Bluetooth Audio. If a song cannot be played, the default Beep sound will be used as the alarm sound.

Spotify: You can select a playlist as the alarm's sound. Please note that this is for Spotify premium account users only, and you must first setup Spotify in the BEDDI app. Your phone must be connected to BEDDI via Bluetooth audio, and the BEDDI app must be active in the background. If a song cannot be played, the default Beep sound will be used as alarm sound.

White Noise: You can choose you favorite relax sound to be alarm sound, and the phone must be connected to BEDDI via Bluetooth Audio. If a sound cannot be played, the default Beep sound will be used as the alarm sound.

Weather And Traffic information

This information will be played after you turn off the alarm.

Other Settings

In General Settings -> Alarm General Settings; you can customize more settings such as Alarm volume, Wake-up light starting time, Snooze Time, and Auto Turnoff time. Please note that these settings will be applied to all alarms.

Snooze

Pressing the Snooze/Dimmer bar will snooze the alarm. Snooze duration is customizable in General Settings -> Alarm General Setting.

Turning off the Alarm

Pressing the "play/pause" button will turn off the alarm, you can also use BEDDI app to turn off the alarm.



Limited Warranty 1 year. <http://www.wittidesign.com/warranty>

FM Radio

Please plug in the provided FM Antenna cable into the AUX/FM port in the back of the BEDDI before using the FM Radio. You can use the app to scan the available channels. Then you can select your favorite station from the list. This favorite station can be used as your alarm sound, and will be the station played when you switch on FM Radio.

You can use the app to switch to FM radio mode, or assign a smart button to turn on FM radio. To turn off FM radio, you can switch back to Bluetooth mode via the app, or press the “play/pause” button on BEDDI.

Modify Ration Stations (Support on Firmware v2.0.2 or later)

You can add, remove a specific channel via the BEDDI app.

Mood Light

This feature can be controlled with the app and there are various light effects to choose from. For example, if you select “Music Light”, the mood light will react and change to the music you are playing. You can also assign a smart button to turn the Mood Light on/off.

Nap/Sleep Mode

You can use the Nap or Sleep mode via the app, or assign the smart button to activate them. Pressing the smart button will cycle through the interval 4 times and then turn off .

For Nap, after the set time has concluded, the default Beep alarm sound will be played.

For Sleep, after time is up, the audio which is currently playing will be stopped.

Phone Finder

You can assign the smart button to find your phone. The phone will play a beeping sound. Please note that the phone must be within Bluetooth range (i.e., 15m) of BEDDI, and the BEDDI app must be active in the background for this feature to work.

Playing music

Once you have connected your phone to BEDDI via Bluetooth audio, you can use any music player to play music via BEDDI

Third Party Hardware/Service

To control other 3rd party hardware/services, you need to setup each service individually under Setting -> Service/Login. Once you have provided the necessary information, you can assign a smart button to perform a task for that 3rd party service.

Traffic information

To use the traffic information feature, first you need to enter the destination and target arrival time in General Settings -> Traffic Setting. Then, after you turn off the alarm, BEDDI will let you know how much time you have before you need to leave in order to arrive at your destination on time. The time will be calculated based on the current traffic conditions. Your phone must be connected to BEDDI via Bluetooth audio and the BEDDI app must be running in the background.

Wake up Light

The wake up light can be used with the alarm setting. Or you can control it via the app, as well as assign a smart button to turn it on | off. The light's intensity is also adjustable.

Weather information

Weather information can be played along with the alarm. You can also assign a smart button to play the weather information. Please note that weather information is updated every hour. Your phone must be connected to BEDDI via Bluetooth audio, and the BEDDI app must be running in the background with your phone's location services activated.

White Noise Generator

The BEDDI app comes with a list of white noise options. You can use the app to select which white noise option to play, or assign a smart button to play your favorite white noise. Please note that the Bluetooth connection must be active, and the BEDDI app needs to be running in the background for the white noise function to work.

Wake up clock screen (Support on Firmware v2.2.9 or later)

You can press & hold "SNOOZE" button to wake up the clock screen. The clock screen will turned on (medium brightness) for 5s, and then back to previous brightness. Please note nothing will happen if you do this while the clock screen is at full brightness.

Alarm Setting on BEDDI (Support on Firmware v2.2.9 or later)

You can assign a smart button to set the alarm. The Clock Display will flash when you activate this function, then you can press and hold + / - button to adjust the alarm time. Once set, you can press the play button to confirm, or the it will automatically confirm after 5s. You can press the smart button again to turn it off (the word "OFF" will be shown on display)



BEDDI APP

<https://www.wittidesign.com/pages/download-app>



How to use Video

<https://www.wittidesign.com/pages/video-tutorials-beddi>



Limited Warranty 1 year. <http://www.wittidesign.com/warranty>

FCC and CE manual

This device complies with part 15 of the FCC rules. Operation is subject to the following two conditions: (1) this device may not cause harmful interference, and (2) this device must accept any interference received, including interference that may cause undesired operation.

NOTE: The manufacturer is not responsible for any radio or TV interference caused by unauthorized modifications to this equipment. Such modifications could void the user's authority to operate the equipment.

NOTE: This equipment has been tested and found to comply with the limits for a Class B digital device, pursuant to part 15 of the FCC Rules. These limits are designed to provide reasonable protection against harmful interference in a residential installation. This equipment generates uses and can radiate radio frequency energy and, if not installed and used in accordance with the instructions, may cause harmful interference to radio communications. However, there is no guarantee that interference will not occur in a particular installation. If this equipment does cause harmful interference to radio or television reception, which can be determined by turning the equipment off and on, the user is encouraged to try to correct the interference by one or more of the following measures:

- Reorient or relocate the receiving antenna.
- Increase the separation between the equipment and receiver.
- Connect the equipment into an outlet on a circuit different from that to which the receiver is connected.
- Consult the dealer or an experienced radio/TV technician for help

Due to the used enclosure material, the GSM mobile phone shall only be connected to a USB Interface of version 2.0 or higher. The connection to so called power USB is prohibited.

Do not use the mobile phone in the environment at too high or too low temperature, never expose the mobile phone under strong sunshine or too wet environment. The suitable temperature for the phone and accessories is 0°C-40°C.

CAUTION RISK OF EXPLOSION IF BATTERY IS REPLACED BY AN INCORRECT TYPE. DISPOSE OF USED BATTERIES ACCORDING TO THE INSTRUCTIONS

Regulatory Conformance

Hereby, Corporation declares that this device is in compliance with the essential requirements and other relevant provisions of Directive 1999/5/EC.

For the declaration of conformity, visit the Web site www.wittidesign.com/certification.

Notice: Observe the national local regulations in the location where the device is to be used. This device may be restricted for use in some or all member states of the European Union (EU)