



MODERN CHANGING TABLE WITH FOLDING HAMPER & THREE FOLDING BASKETS

MODEL NUMBERS:

02500 - White

02501 - Cherry

02502 - Espresso



Assembly Instructions.

**Adult Assembly
Required.**

**Save these instructions
for future use.**

**VERSION CODE:
1.0/0811/TG**

Visit us online at www.badgerbasket.com

Toll-Free Customer Service: 1-800-236-1310 (Monday to Thursday 7:30 AM-3:30 PM CST)

Web: <http://www.badgerbasket.com/parts> • **E-mail:** parts1@badgerbasket.com

MAIL: PO Box 227, Edgar, WI 54426-0227 • **Phone:** 715-352-2311 • **Fax:** 715-352-3163

1.0/0811/TG



BEFORE YOU BEGIN ASSEMBLY:

Check all parts and hardware.
If anything is missing or not satisfactory,
please DO NOT call the store or return
the product to them.

Please go online to:

<http://www.badgerbasket.com/parts>

Most problems are resolved
without you needing to leave home.

When emailing or calling us, please have this
instruction manual, your product model number,
and your Version Code ready.

Your Model Number is: See Cover Page

Your Version Code is: 1.0/0811/TG

USE AND CARE INSTRUCTIONS:

Wipe clean with a lightly dampened cloth as needed.



WARNING

ADULT ASSEMBLY REQUIRED
DUE TO THE PRESENCE OF SMALL PARTS AND SHARP
POINTS DURING ASSEMBLY, KEEP OUT OF REACH OF
CHILDREN UNTIL ASSEMBLY IS COMPLETE.

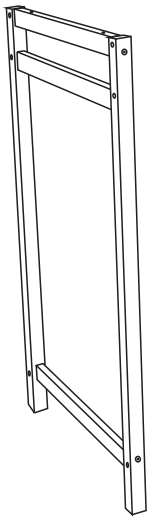
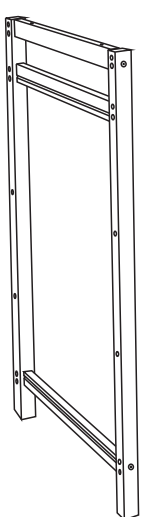
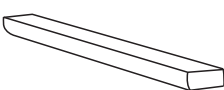


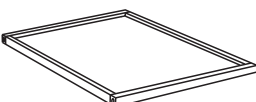


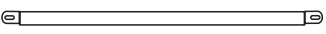



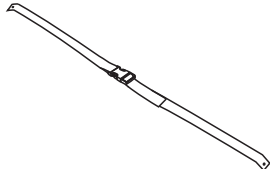
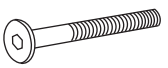
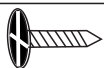
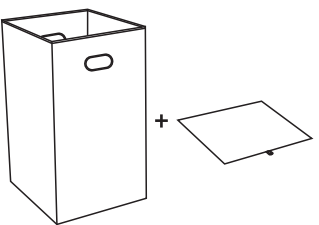
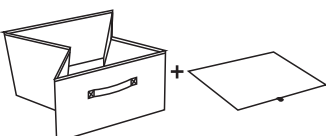

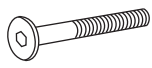
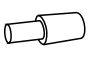
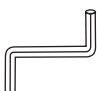



WARNING - FAILURE TO FOLLOW THESE WARNINGS AND THE INSTRUCTIONS COULD RESULT IN SERIOUS INJURY OR DEATH

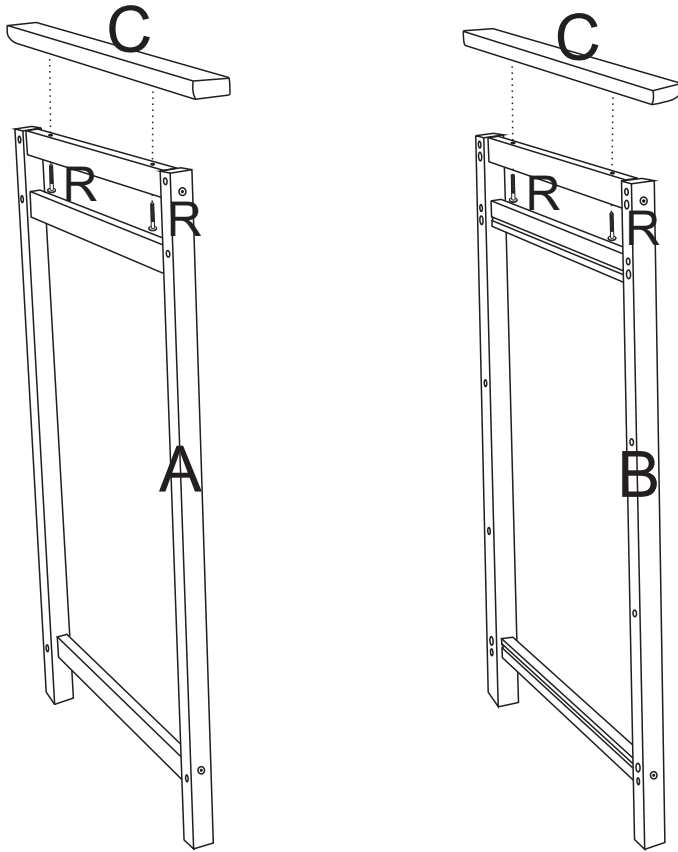
READ ALL INSTRUCTIONS before use of this changing table. Keep instructions for future use. **Choking Hazard!** Keep unassembled parts out of the reach of small children. Use only the parts, hardware, and changing pad provided by Badger Basket. Do not use the changing table if it is damaged or broken. **FALL HAZARD** - To prevent death or serious injury, always keep baby within arm's reach. **NEVER** leave your baby unattended, not even for a moment, when you are changing Baby's diaper.

ALWAYS use the safety belt provided; and as an extra precaution keep at least one hand on your baby at all times. **DO NOT** allow any children to climb or play on the table.

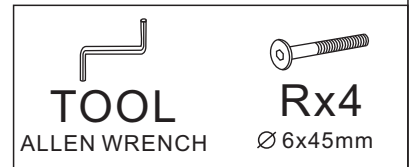
Periodically check to make sure all the bolts and screws remain tight. This table is suitable for use with children weighing up to 30 lbs. (13.64 kg).

| | | | |
|--|---|--|--|
|  <p>Ax1 LEFT SIDE PANEL</p> |  <p>Bx1 RIGHT SIDE PANEL</p> |  <p>Cx2 SIDE COPINGS</p> |  <p>Dx2 (DR&DF) TOP RAILS - Rear and Front</p> |
|  <p>Gx2 VERTICAL POSTS</p> |  <p>Hx2 SMALL SHELF PANELS</p> |  <p>Ex2 (ER&EF) SECOND RAILS - Rear and Front</p> |  <p>Fx2 (FR&FF) BOTTOM RAILS - Rear and Front</p> |
|  <p>Kx1 METAL SUPPORT BAR</p> |  <p>Lx1 MATTRESS PAD</p> |  <p>ITx1 TOP SHELF PANEL</p>  <p>IBx1 BOTTOM SHELF PANEL</p> |  <p>Jx1 SAFETY BELT</p> |
|  <p>Ox20 ∅ 6x58mm</p> |  <p>Qx2 ∅ 4x20mm</p> |  <p>Mx1 FOLDING HAMPER & BOTTOM PANEL</p> |  <p>Nx3 BASKET BODY & BOTTOM PANELS</p> |
|  <p>Px20 ∅ 6x12mm</p> |  <p>Rx4 ∅ 6x45mm</p> |  <p>Sx12 PEGS</p> |  <p>ALLEN WRENCH SAVE THIS WRENCH FOR FUTURE USE!</p>  <p>TOOL REQUIRED (NOT INCLUDED)</p> |

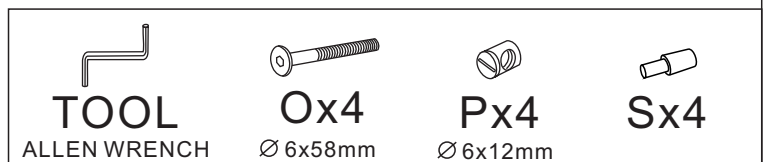
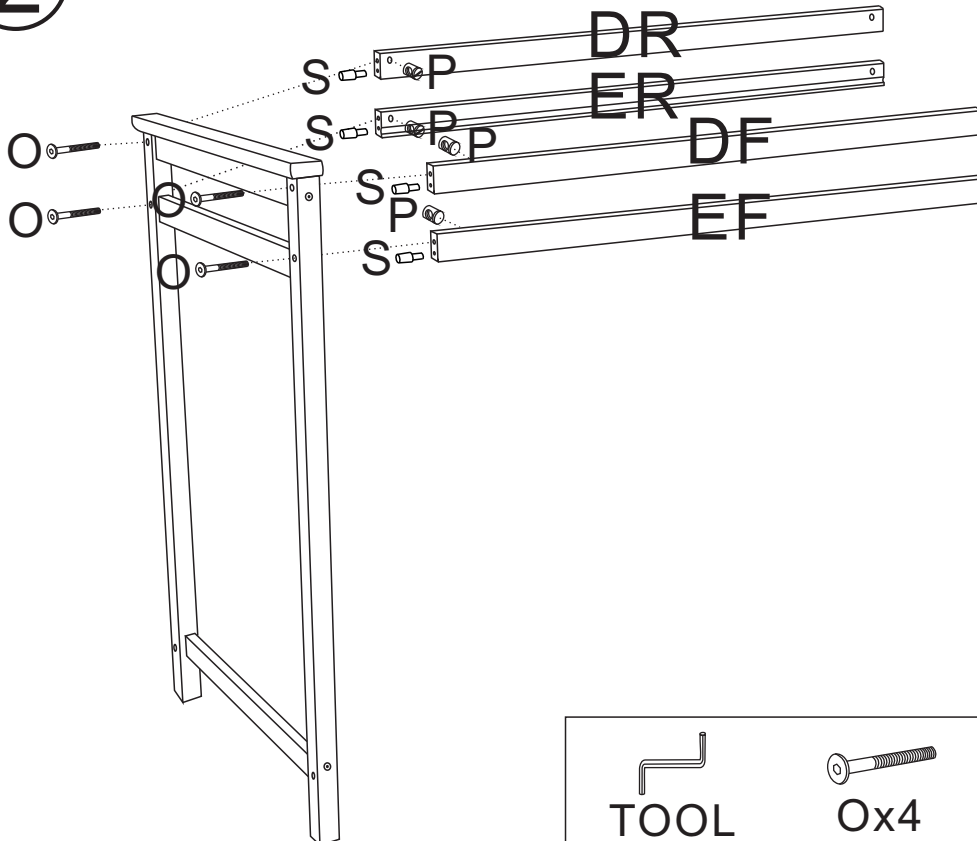
1



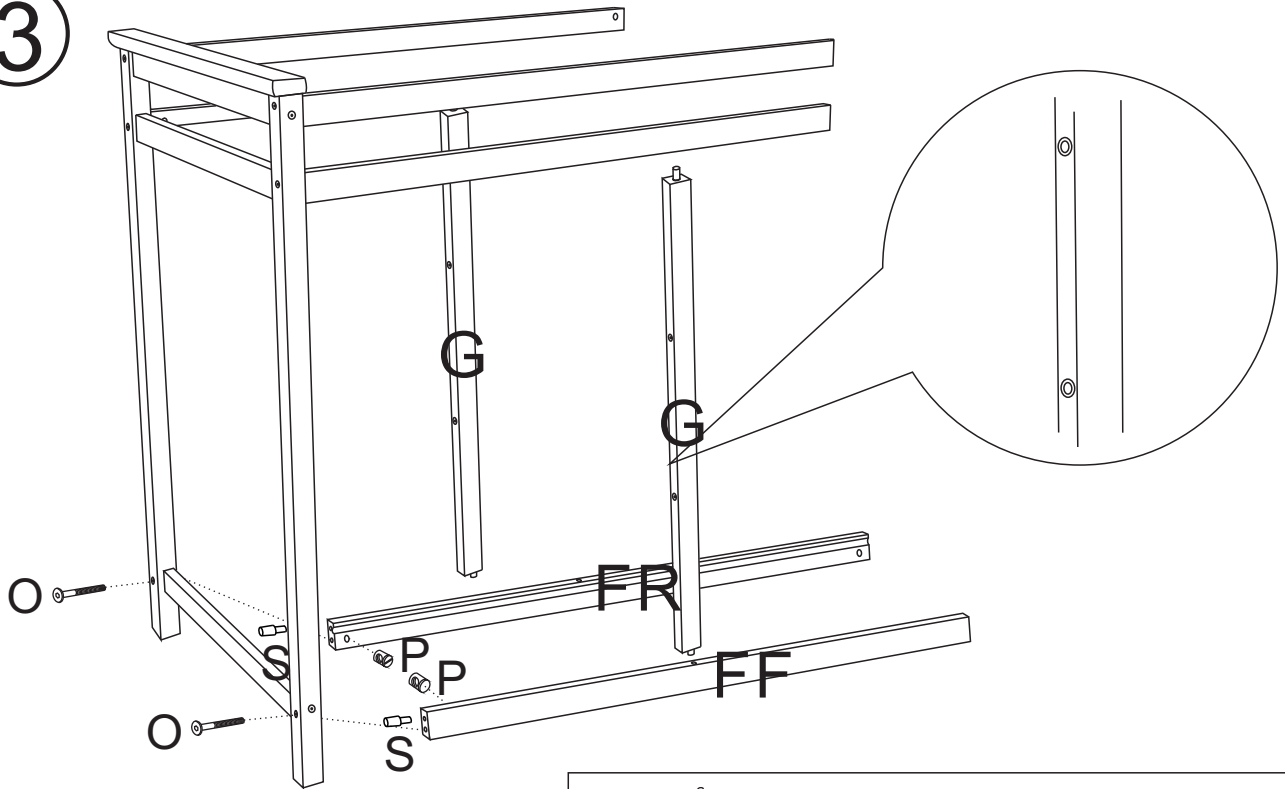
PLEASE REVIEW ALL STEPS PRIOR TO BEGINNING SO YOU WILL BE FAMILIAR WITH ALL PARTS AND THEIR FINAL POSITIONS.







2

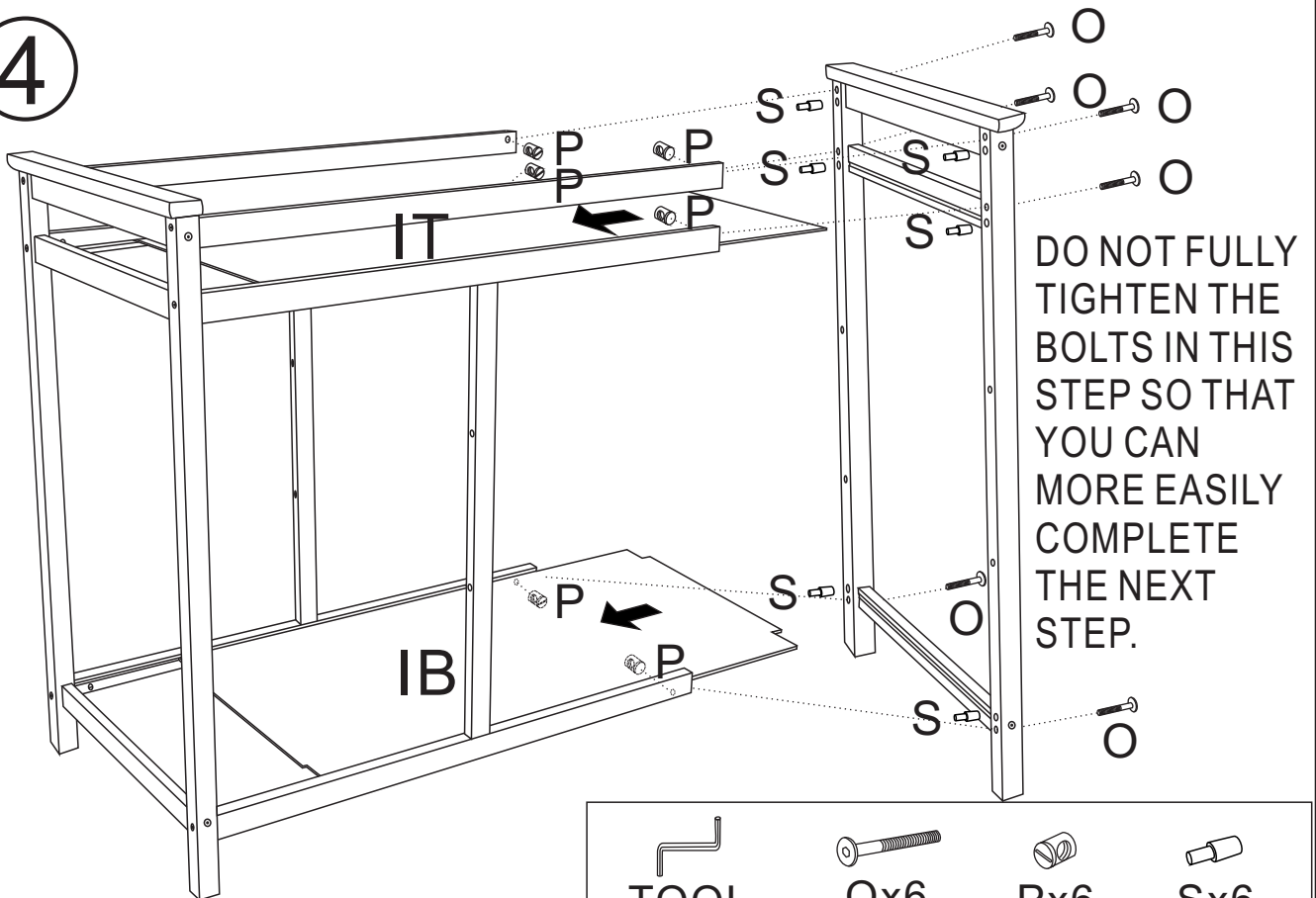



3



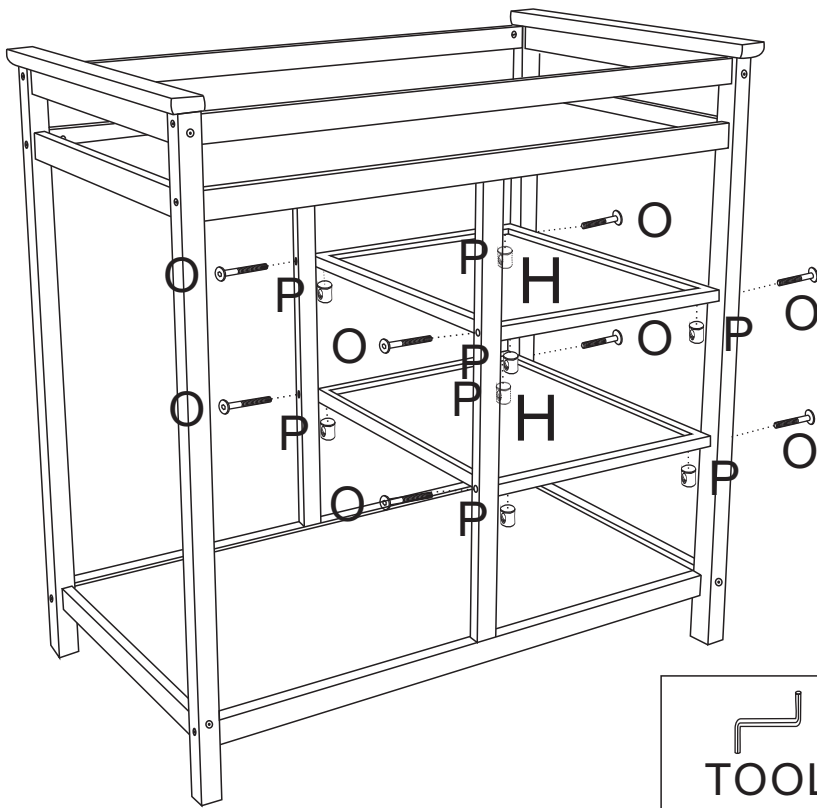
| | | | |
|--|---|--|--|
|  |  |  |  |
| TOOL | Ox2 | Px2 | Sx2 |
| ALLEN WRENCH | Ø 6x58mm | Ø 6x12mm | |

4



| | | | |
|---|--|---|---|
|  |  |  |  |
| TOOL | Ox6 | Px6 | Sx6 |
| ALLEN WRENCH | Ø 6x58mm | Ø 6x12mm | |

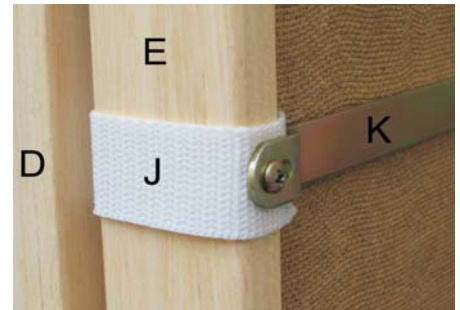
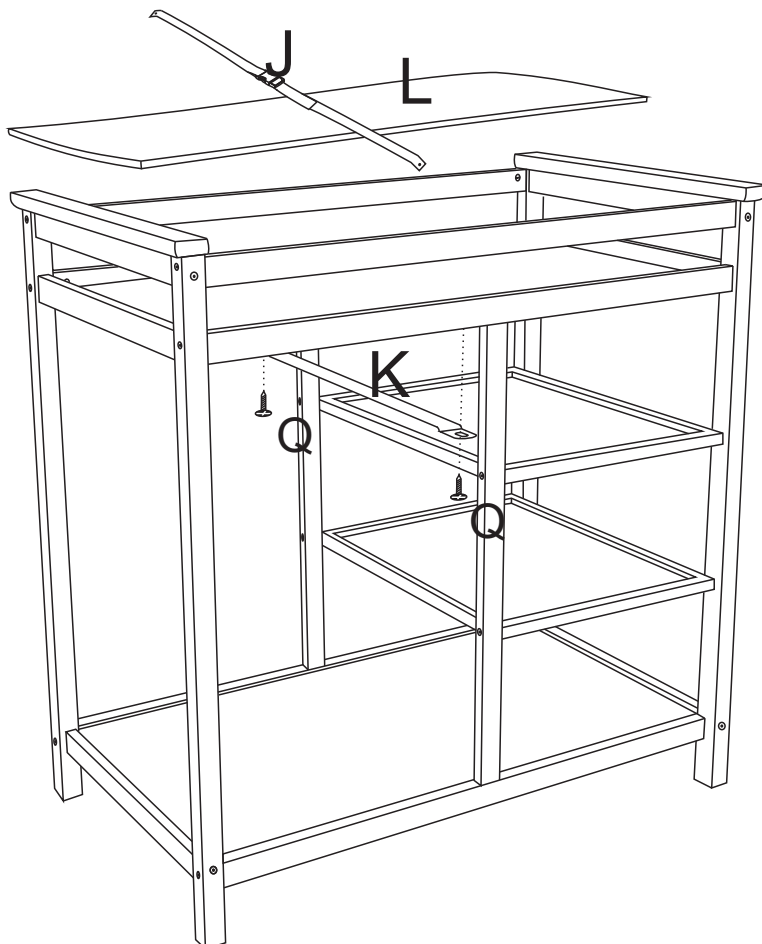
5



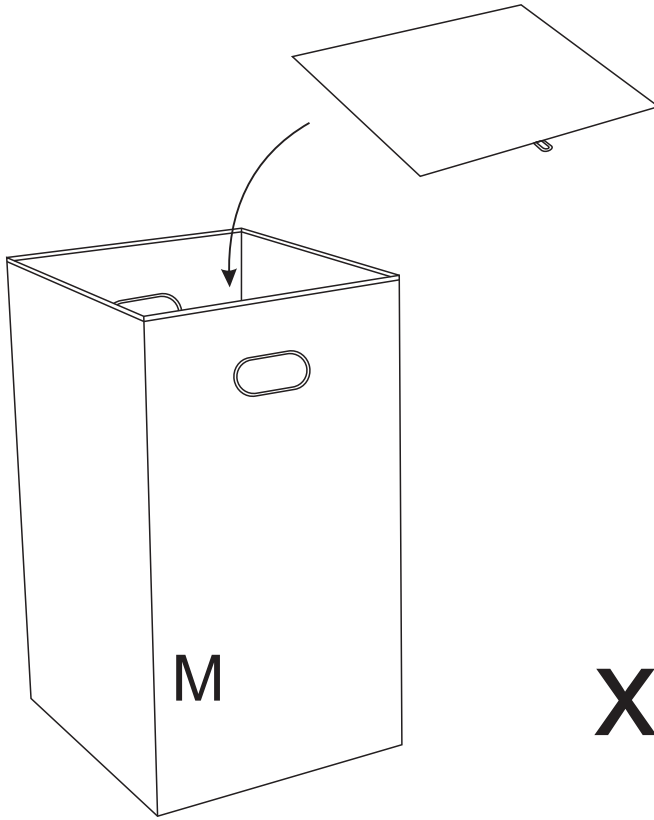
AFTER COMPLETING THIS STEP, GO BACK AND TIGHTEN ALL OF THE BOLTS AND BARREL NUTS YOU ASSEMBLED IN STEP 4.



6

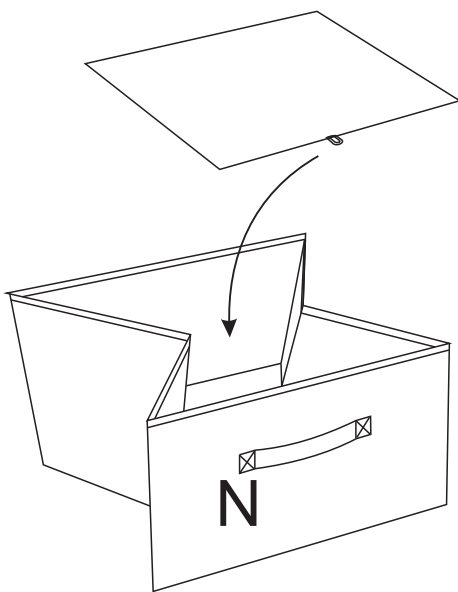


7



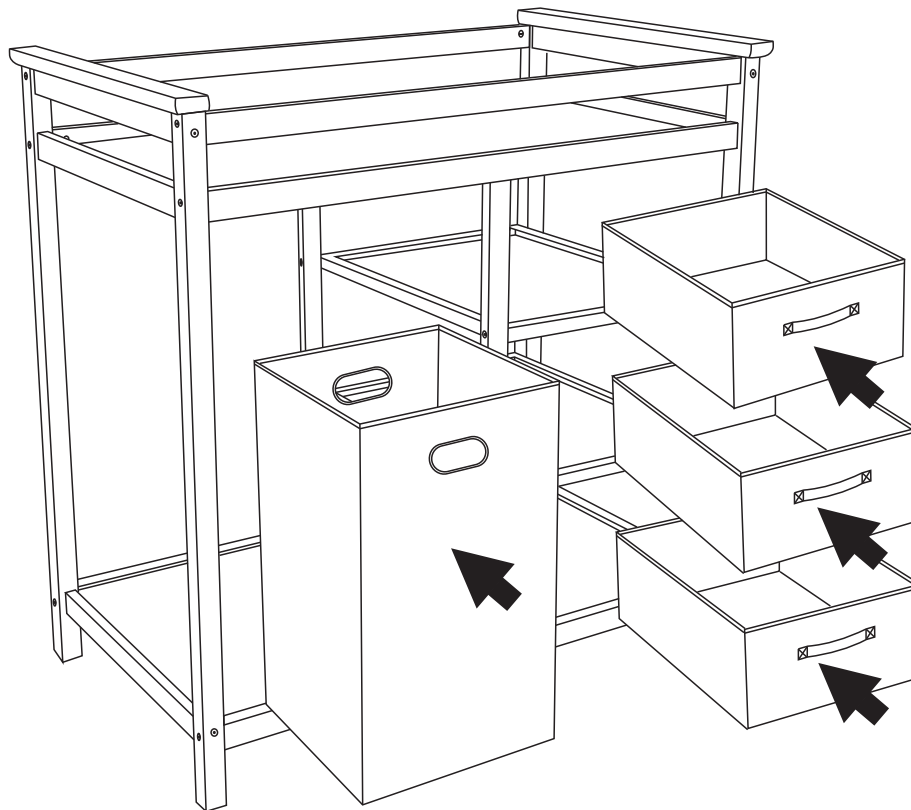
x1

8



x3

9



BUCKLE CHILD SECURELY USING THE SAFETY BELT WHENEVER CHILD IS ON THE TABLE. UNCLIP AND SEPARATE THE BUCKLE BY SQUEEZING THE TABS ON THE SIDES TO RELEASE THE BUCKLE TONGUE FROM THE BUCKLE. PLACE CHILD ONTO CHANGING SURFACE AND SNAP THE BUCKLE AND BUCKLE TONGUE BACK TOGETHER. KEEP CHILD'S SKIN/BODY CLEAR OF THE BUCKLE WHEN SNAPPING AND UNSNAPPING TO PREVENT INJURY. BUCKLE IS NOT SECURELY FASTENED UNLESS YOU HEAR AN AUDIBLE "CLICK" TO INDICATE THE PARTS HAVE CONNECTED SECURELY TOGETHER.

NEVER ALLOW CHILD TO STAND UP ON THE TABLE DUE TO RISK OF FALLS AND INJURY OR DEATH. NEVER USE THE TABLE WITHOUT THE SAFETY BELT AND METAL SUPPORT BAR IN PLACE.

ALWAYS SECURE THE CHANGING PAD TO THE CHANGING SURFACE BY PLACING IT ONTO THE TOP SHELF AND ENSURING THAT IT'S UNDERNEATH, NOT ON TOP OF, THE SAFETY BELT.