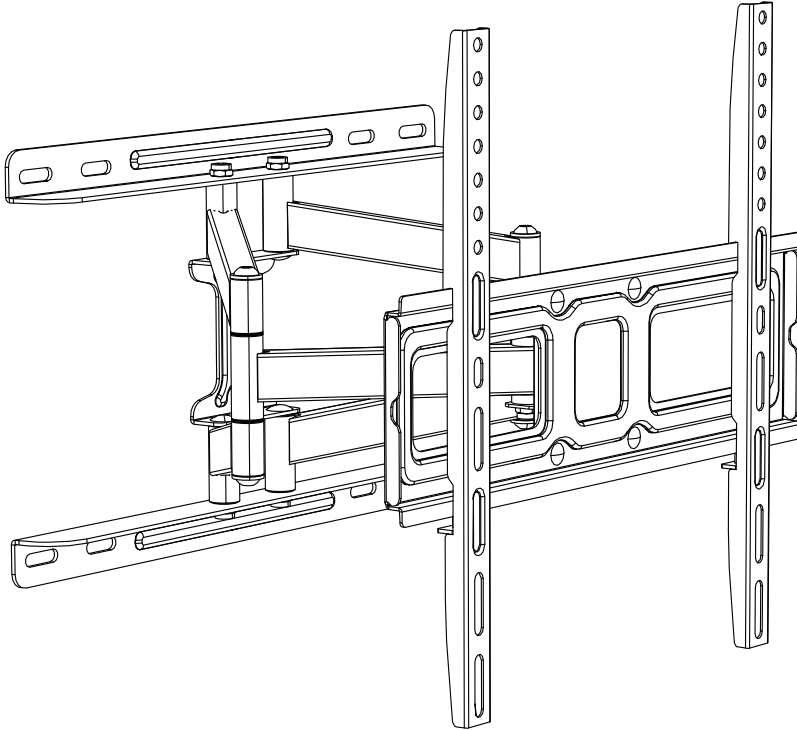




PERLESMITH

MEDIUM FULL-MOTION TV WALL MOUNT

V3.0



PSMFK9



Thank you for choosing our product! We strive to provide the best quality and services for our customers. Would you kindly share your experience on Amazon if you are satisfied? Should you have any issues, please don't hesitate to contact us.

Telephone:

800-5566-806 Mon-Fri 10am - 6pm (PST) (USA) (CAN)

Email:

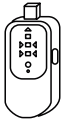
supportus@perlesmith.com(US/CA/DE/UK/FR/IT/ES/JP/AU)

IMPORTANT SAFETY INFORMATION

WARNING! SEVERE PERSONAL INJURY AND PROPERTY DAMAGE CAN RESULT FROM IMPROPER INSTALLATION OR ASSEMBLY. READ FOLLOWING WARNINGS BEFORE BEGINNING.

- If you do not understand the instructions or have any concerns or questions, please contact customer service at supportus@perlesmith.com
- Do not install or assemble if the product or hardware is damaged or missing. Not all parts and hardware included will be used. If you require replacement parts, contact customer service at supportus@perlesmith.com
- This product may contain moving parts. Use with caution.
- **DO NOT INSTALL INTO DRYWALL ALONE.**
- Please check www.perlesmith.com for more products and company information.

Tools Needed (Not Included)



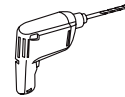
Stud finder



Tape measure



Pencil



Drill



Hammer



7/32 in.(5.5mm)
Wood Drill



25/64 in.(10mm)
Concrete Drill



25/64in.(10mm)
Socket wrench

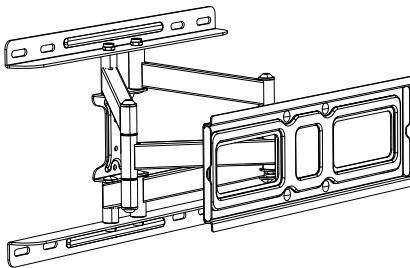


1/2in.(13mm)
Socket wrench



Screw driver

Supplied Parts



01 1 PC



02 2 PCS



03 Level
1 PC

Supplied Hardware

Hardware for Attaching Wall Plate to Wall

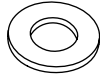
Lag Bolts
M8X65



x4

A1

Washers
M8



x4

A2

Wall
Anchor



x4

A3

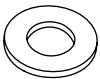


CAUTION!

These anchors are for concrete or brick walls **ONLY**. **DO NOT** use them in drywall or wood studs.

Hardware for Attaching TV Bracket to TV

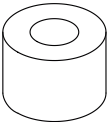
Washers
M6



x4

B1

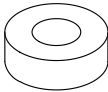
Spacers
L10mm



x8

B2

Spacers
L5mm



x8

C

Philips Screws
M6 x 15mm
M6 x 30mm



x4

D1



x4

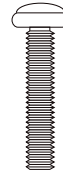
D2

Philips Screws
M8 x 15mm
M8 x 45mm



x4

E1



x4

E2

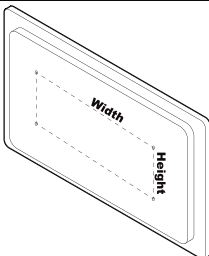
Philips Screws
M4 x 30mm



x4

F

Step 1 Before TV Bracket Installation



75mm ≈ 2.95 in. 100mm ≈ 3.94 in.
200mm ≈ 7.87 in. 300mm ≈ 11.81 in.
400mm ≈ 15.75 in.

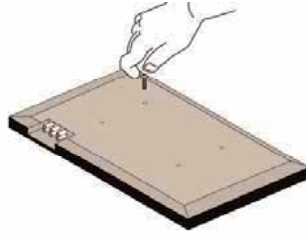
Measure the distance between the holes located at the back of your TV (these measures may form the shape of a square, or a rectangle) and check that these taken measures are within the VESA(*) range for this wall mount.

(*)VESA: International standard established by the TV manufacturers used to determine if LCD/LED TVs are compatible with wall mounts.

Step 1 Before TV Bracket Installation

Check TV screws

Hand thread screws into the threaded inserts on the back of your TV to determine which screw diameter (M4, M6, or M8) to use



Manual Only!



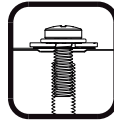
When attaching brackets to the flat screen, be careful not to over tighten screws and be sure that screws do not bottom out in the mounting holes.



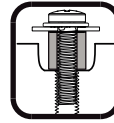
Too Short



Too Long



Correct

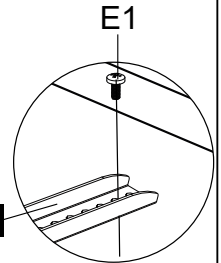
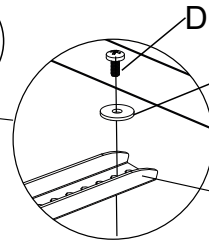
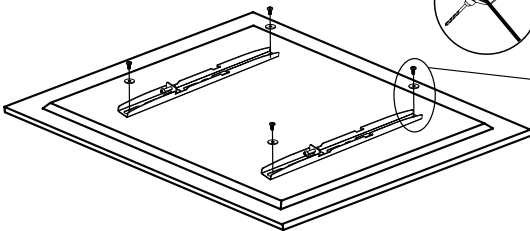


Correct

Step 2 Install TV Bracket

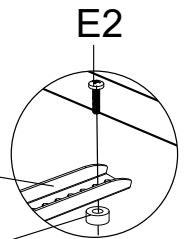
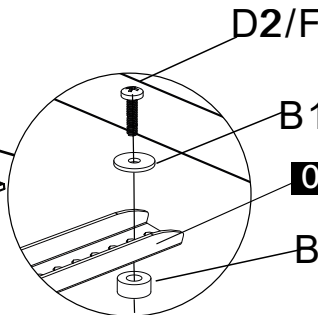
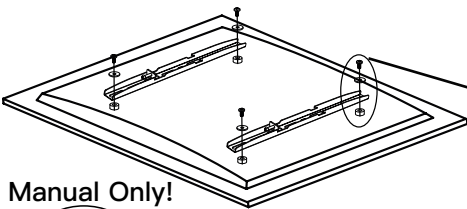
For Flat screen TV

Manual Only!



02

For Curved TV/Extra Space



02

B2/C

Manual Only!



STEP 3 Attach Wall Plate to Wall

For wood stud installation, follow STEP 3A
For concrete installation, follow STEP 3B

STEP 3A Wood Stud Option

⚠ WARNING:
Avoid potential personal injury or property damage! **DO NOT** over-tighten the lag bolts [A1]. Tighten the lag bolts [A1] only until the washers [A2] are pulled firmly against the wall plate [01].

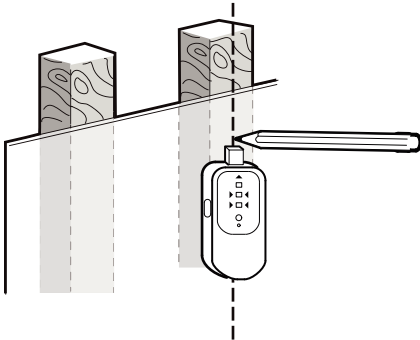
⚠ WARNING:
Ensure the wall plate is securely fastened to the wall before continuing on to the next step.

⚠ WARNING:

- Drywall covering the wall must not exceed 5/8 in. (16 mm)
- Nominal wood stud size: common 2 x 4 in. (51 x 102 mm) minimum 1½ x 3½ in. (38 x 89 mm)
- Stud center must be verified



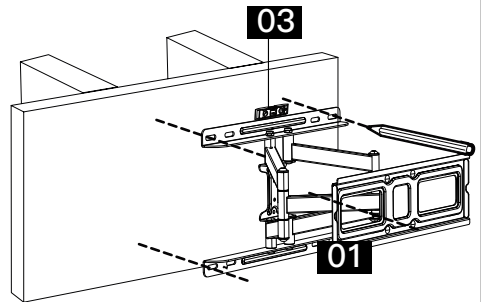
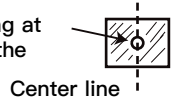
3A-1

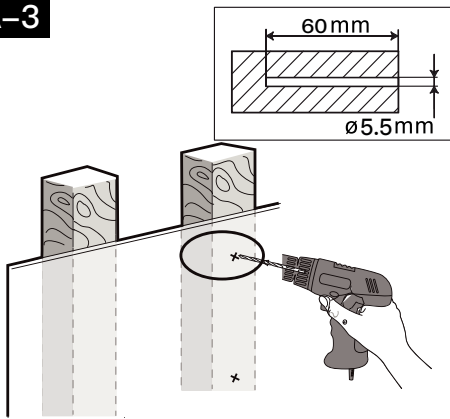


Use a stud finder (not included) to locate wood stud. Mark the edge and center locations.

3A-2

Ensure marking at the center of the stud.

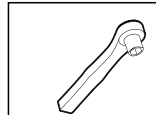
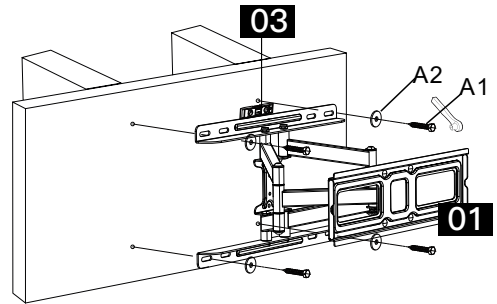


3A-3

Drill 4 pilot holes using a 7/32 in. (5.5mm) Wood Drill diameter drill bit. Make sure the depth is not less than 60mm.

3A-4

Mount the wall plate using 4 sets of M8X65 in. lag bolts A1 and washers A2 with a 1/2 in. socket wrench (not included).



1/2 in. (13mm) socket wrench

STEP 3B Solid Concrete or Concrete Block Option

⚠ WARNING:

Avoid potential personal injury or property damage! DO NOT over-tighten the lag bolts [A1]. Tighten the lag bolts [A1] only until the washers [A2] are pulled firmly against the wall plate [01].

⚠ WARNING:

Ensure the wall plate is securely fastened to the wall before continuing on to the next step.



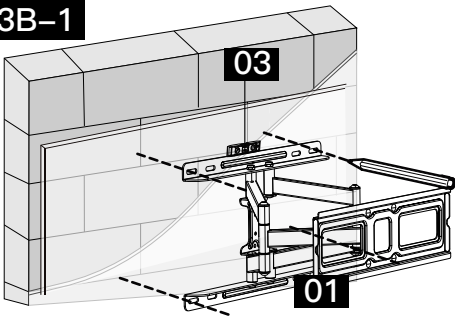
Wall Anchor

A3

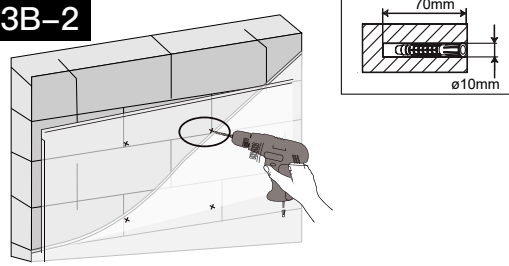
⚠ WARNING:

Avoid potential personal injuries and property damage!

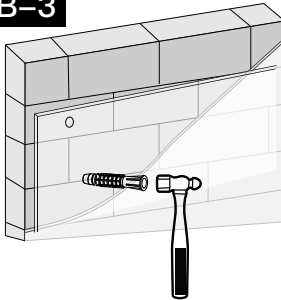
- Mount the arm assembly/wall plate [01] directly onto the concrete surface
- Minimum solid concrete thickness: 203 mm (8 in.)
- Minimum concrete block size: 203 x 203 x 406 mm (8 x 8 x 16 in.)

3B-1

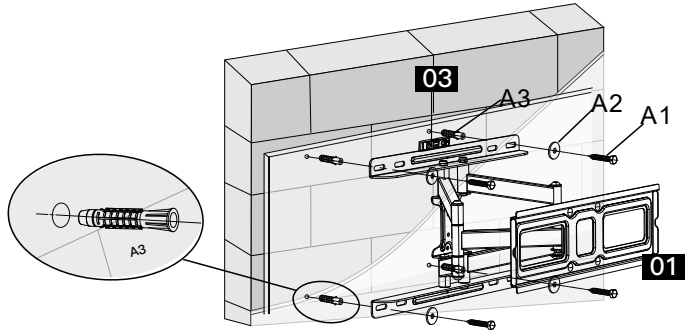
Position the wall plate at your desired height, level the wall plate and mark the pilot hole locations.

3B-2

Drill 4 pilot holes using a 25/64 in.(10mm) diameter drill bit. Make sure the depth is not less than 2³/₄ in.(70mm).

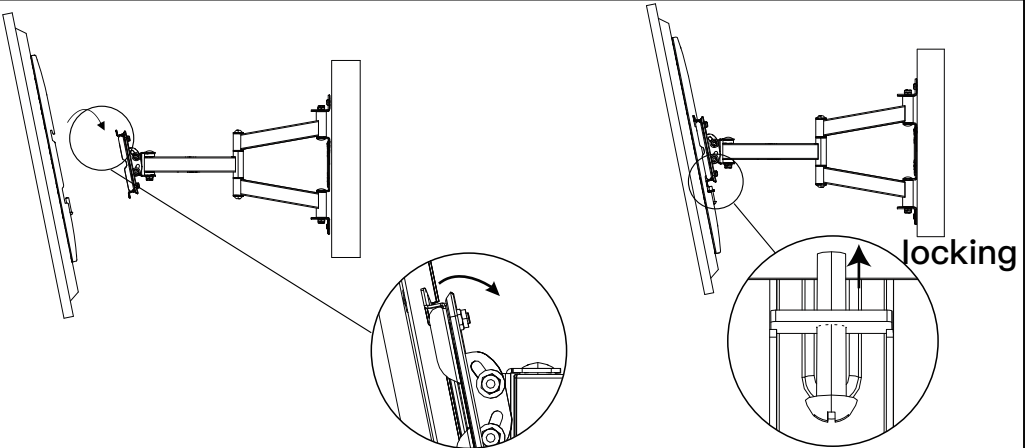
3B-3

Use the hammer to knock anchors [A3] into the wall.



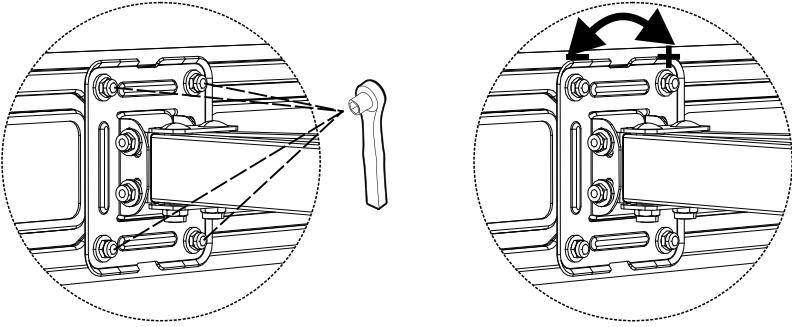
Install wall plate using lag bolts [A1], washers [A2] and anchors [A3]. Be sure the anchors [A3] are seated flush with the concrete surface. Tighten the lag bolts [A1] only until the washers [A2] are pulled firmly against the wall plate[01]. **DO NOT** over-tighten the lag bolts [A1].

Step 4 Mounting your TV to the Brackets



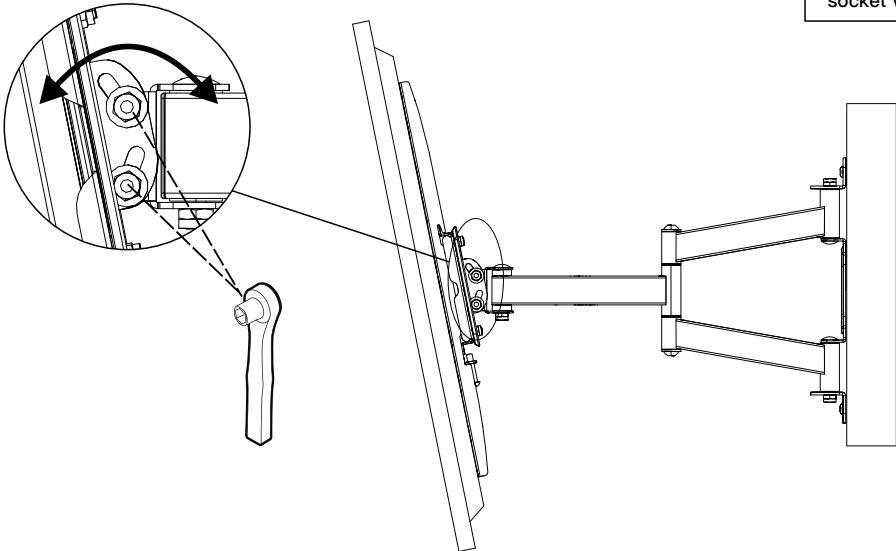
Step 5 Level Adjustment

If needed, the TV can be leveled



Step 6 Tilt Adjustment

Tilt adjustment



25/64in.(10mm)
socket wrench