

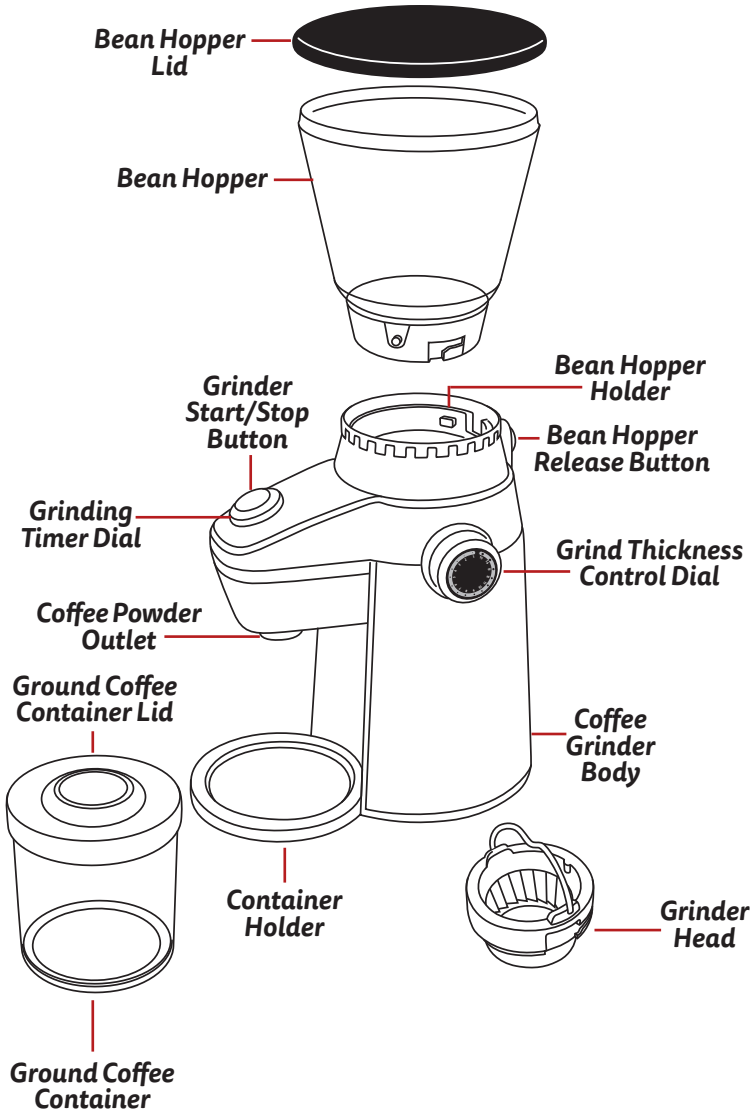
Ariete

COFFEE GRINDER



Owner's Manual

FEATURES



IMPORTANT SAFEGUARDS

This appliance is for **HOUSEHOLD USE ONLY**.

When using an electrical appliance, basic safety precautions should always be taken, including the following:

1. READ ALL INSTRUCTIONS BEFORE USE.

2. Before use check that the voltage of wall outlet correspond to the one shown on the rating plate.
3. Do not operate any appliance with a damaged cord or plug or after the appliance malfunctions, or is dropped or damaged in any manner. Return appliance to the nearest authorized service facility for examination, repair or electrical or mechanical adjustment.
4. If the supply cord is damaged it must be replaced by the manufacturer or a authorized agent or a qualified technician in order to avoid a hazard.
5. Unplug from outlet when not in use, before putting on or taking off parts, and before cleaning.
6. Do not let cord hang over edge of table or hot surface.
7. Do not immerse the motorized base in liquid, or place in dishwasher. Damage to the unit will occur if submerged in liquid or filling the liquid into the container. Only the top cover may be immersed.
8. Close supervision is necessary when your appliance is being used near children or infirm persons.
9. Ensure fingers are kept well away from moving parts.
10. Do not remove cover until blade has completely stopped.
11. Do not attempt operation without the cover being in place.
12. The use of accessory not recommended by the manufacturer may cause injuries to persons.
13. Check grinding chamber for presence of foreign objects before using.
14. This appliance is not intended for used by persons (including children) with reduced physical, sensory or mental capabilities, or lack of experience and knowledge, unless they have been given supervision or instruction concerning use of the appliances by a person responsible for their safety.
15. Children should be supervised to ensure that they do not play with the appliance.
16. Do not operate the appliance for other than its intended use.
17. Do not use outdoors.

SAVE THESE INSTRUCTIONS

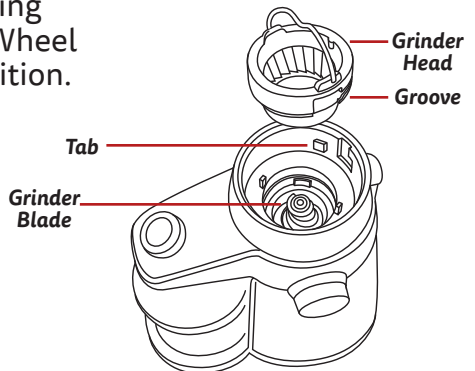
BEFORE FIRST USE

1. Carefully unpack your coffee grinder and remove all packing materials.
2. Remove any dust that may have accumulated during packaging.
3. It is advisable to first wash all removable parts: the Bean Hopper, Bean Hopper Lid, Ground Coffee Container Lid And Ground Coffee Container with warm soapy water and soft cloth. Rinse and dry thoroughly.
4. To detach the Bean Hopper press down the Bean Hopper Release Button and simultaneously turn the bean hopper counter-clockwise.
5. After use, rinse the Bean Hopper, Bean Hopper Lid, Ground Coffee Container Lid And Ground Coffee Container with water and then dry thoroughly.

CAUTION: Never immerse the grinder body in water for cleaning

OPERATION

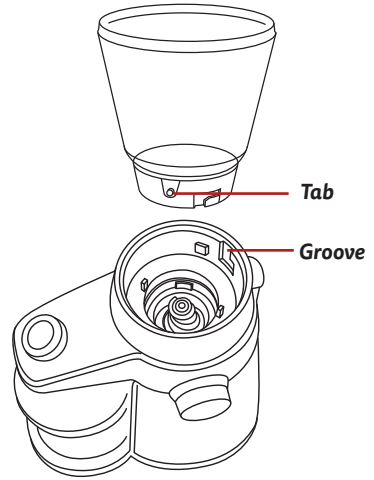
1. Place the coffee grinder on a flat surface.
2. Ensure that the Grinder Head is in position inside the Bean Hopper Holder. If it has been removed simply take the Grinder Head by its handle, align the groove on the Grinding Wheel with the tab in the grinding chamber. Rotate the Grinding Wheel clockwise until it locks into position. (See img 1).



Img 1

3. Attach the Bean Hopper to the Bean Hopper Holder: To attach the Bean Hopper, align the tab on the bottom of the Bean Hopper to the groove on the bean hopper holder and then turn the Bean Hopper clockwise until it locks into position. (See *Img 2*).

4. Pour appropriate amount of coffee beans into the bean hopper. Do not fill the hopper with more than 2.5 cups. **NOTE: This grinder can only grind dry, brittle foods. It will not grind anything moist, extremely hard or gummy, such as whole ginger, chocolate, sesame seeds or oily spices such as cinnamon, cloves or nutmeg. Do not grind peanuts or grains such as wheat, rice, barley, or dried corn. Attempting to grind any of these foods may damage the unit. Never use it to chop ice cubes.**



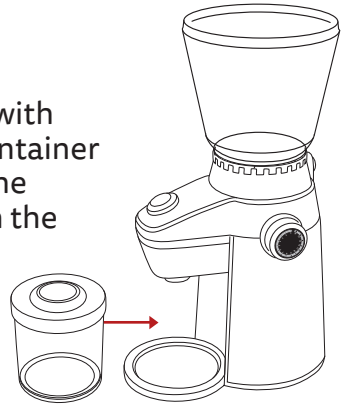
Img 2

NOTE: If the appliance is run without coffee beans, the appliance will stop working after about 5 minutes. For every 5 minutes of continuous use the appliance must rest for 30 minutes.

5. Close the bean hopper lid.
6. Slide the Ground Coffee Container (with lid) in position (See *Img 3*) on the Container Holder. Make sure the opening on the Ground Coffee Container aligns with the Coffee Powder Outlet.

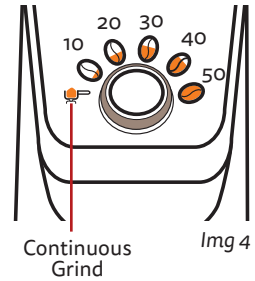
7. The Grinder Control Dial enables you to select the texture of your ground coffee. Select from 1 for a very fine grind, up to 15 for a coarse grind.

Note: When dialing down to a finer grain, the unit will only allow a maximum of 5 steps at a time. After every 5 steps start and stop the grinder for a few moments and then continue dialing down.



Img 3

8. The amount of coffee dispensed is determined by the Grinding Timer Dial (See *Img 4*). Refer to the table below to select your desired grinding time and grind setting. When selected, the indicator of your selected grinding time will light at 100% brightness. If you don't adjust the grinding time, the appliance will work under the default grinding time (Continuous Grind).



GRIND SETTING	GRIND TIME (IN SECONDS)				
	10	20	30	40	50
1	4 Tbsp	8 Tbsp	12 Tbsp	16 Tbsp	20 Tbsp
2	4 Tbsp	9 Tbsp	13 Tbsp	17 Tbsp	22 Tbsp
3	4 Tbsp	10 Tbsp	14 Tbsp	18 Tbsp	24 Tbsp
4	5 Tbsp	10 Tbsp	15 Tbsp	19 Tbsp	25 Tbsp
5	5 Tbsp	10 Tbsp	16 Tbsp	20 Tbsp	26 Tbsp
6	5 Tbsp	11 Tbsp	17 Tbsp	22 Tbsp	27 Tbsp
7	5 Tbsp	11 Tbsp	17 Tbsp	23 Tbsp	30 Tbsp
8	6 Tbsp	13 Tbsp	19 Tbsp	24 Tbsp	31 Tbsp
9	7 Tbsp	13 Tbsp	20 Tbsp	26 Tbsp	33 Tbsp
10	7 Tbsp	13 Tbsp	20 Tbsp	26 Tbsp	33 Tbsp
11	8 Tbsp	14 Tbsp	22 Tbsp	30 Tbsp	37 Tbsp
12	8 Tbsp	15 Tbsp	24 Tbsp	30 Tbsp	38 Tbsp
13	8 Tbsp	17 Tbsp	25 Tbsp	32 Tbsp	40 Tbsp
14	8 Tbsp	18 Tbsp	26 Tbsp	36 Tbsp	47 Tbsp
15	8 Tbsp	18 Tbsp	26 Tbsp	36 Tbsp	47 Tbsp

NOTE: The measurements in the table above are an approximation and may vary. 1-2 Tbsp of ground coffee is recommended per 6 oz of water. Depending on the type of brew you make will determine the size of grind you need (refer to the table on pg 6).

9. Connect the appliance to the power source. The first indicator (the default grinding time setting) will light up at 100% brightness while the other indicators and the indicator of Start/Stop button light up at 50% brightness. Select your desired grinding time based on your needs. Press the Start/Stop button. The appliance will begin to grind your coffee beans. The coffee powder will dispense the ground coffee beans from the coffee powder outlet into the Ground Coffee Container. The indicator Start/Stop button keeps blinking during grinding process. **NOTE: The appliance will enter into a sleep state if no operation is selected within 90 seconds of it being plugged in.**
10. When the desired grinding time has been reached, the coffee grinder will stop working automatically and go back to standby mode, at that time, the first indicator (the default grinding time setting) lights at 100% brightness while the other indicators and the indicator of Start/Stop button light at 50% brightness. **NOTE: The maximum amount of ground coffee in container is 155g.**
11. Remove the ground coffee container from its holder, remove lid and pour out the ground coffee. **NOTE: The container is very tight. Lift and tilt the bottom out first to remove.**
12. Unplug the appliance.

NOTE: The appliance must rest for 30 minutes if operated for 5 minutes continuously. It is suggested that you operate this appliance for less than 90 seconds at a time with a minimum 90 seconds rest time between cycles.

You may stop the appliance from running at any time during the grinding process, by pressing the Start/Stop button.

TIPS FOR GRINDING

- The size of grind will determine the flavor of your coffee depending on the type of brew you use. If the grind is too big the flavor will be under-extracted causing a sour flavor. If the grind is too small the flavor will be over-extracted causing a bitter flavor. Refer to the table below for troubleshooting grind size.

FLAVOR	GRIND	WATER TEMP	BREW TIME
SOUR	Finer	Decrease	Increase
BITTER	Coarser	Increase	Decrease

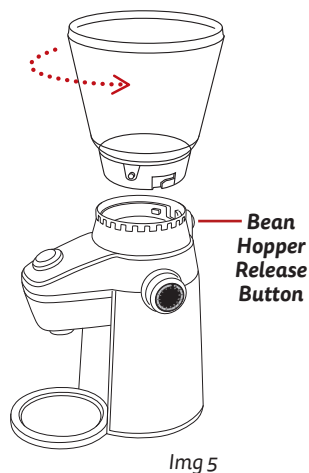
GRIND SIZE	GRIND SETTING	BREW METHOD
Extra Fine	1-2	Turkish Coffee
Fine	3-4	Espresso machines with an electric pump.
Medium Fine	5-6	Cone Shaped Pour Over Brewers, Aeropress (with 2-3 Min Brew Time)
Medium	7-8	drip coffee makers and steam-type espresso machines.
Medium Coarse	9-10	Chemex, Clever Dripper, Cafe Solo Brewer
Coarse	11-12	French Press, Percolator, Coffee Cupping, Coffee Urns
Extra Coarse	13-15	Cold Brew Coffee, Cowboy Coffee

- For the freshest, most flavorful coffee, grind only enough for the pot you are making. Coffee beans keep up to 2 months in the freezer in an airtight container and can be ground while still frozen. Coffee grounds left in your grinder can become stale and affect the flavor of freshly ground coffee. Be sure to clean grinding chamber, blades and grinding wheel after each use.
- Freshly ground peppercorns have a strong aroma and taste that may affect the flavor of coffee beans ground later. You may want to purchase a separate grinder if you plan to grind a lot of peppercorns.

CLEANING AND MAINTENANCE

CAUTION: Make sure to unplug this appliance before cleaning. To protect against electrical shock, do not immerse cord, plug or the appliance body in water or liquid. After each use, always make sure to first remove the plug from wall outlet.

1. Disassemble the bean hopper by pressing the bean hopper release button and twisting the bean hopper counter clockwise (see *Img 5*). Rinse the bean hopper, bean hopper lid, ground coffee container and ground coffee container lid with warm soapy water, and dry them thoroughly.



2. Lift the handle of the Grinding Wheel and rotate it counter-clockwise to remove it from its base. Clean the grinding blades with a brush, rinse it thoroughly with warm water and then dry thoroughly. Replace the grinding wheel back in position.

CAUTION: Use extreme caution while handling and cleaning the Grinding Wheel as the grinding blades are sharp.

3. Wipe the body with wet cloth and then dry it completely. When not in use, store appliance in a secure, dry and cool place.

-Ariete

De'Longhi Appliances Srl
Divisione Commerciale Ariete
Via San Quirico, 300
50013 Campi Bisenzio (FI)
Email: info@ariete.net | Internet: www.ariete.net