



# OFFICE CHAIR ASSEMBLY INSTRUCTION

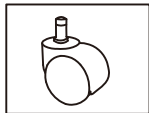
<http://www.paylesshere.com>



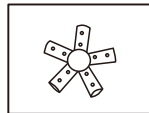
THANK YOU FOR PURCHASING OFFICE CHAIR

JRF-OC14-BLACK-FDW

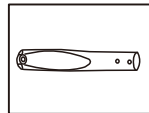
## PARTS LIST



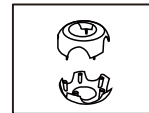
A 5xWheels



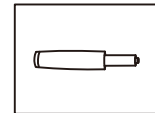
B 1xcentral base  
tube



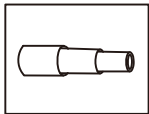
C 5xsplit base  
tube



D 1xbase cover



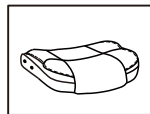
E 1xgas lift



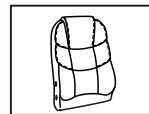
F 1xdust cover



G 1xmechanism



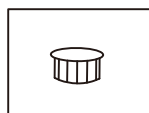
H 1xseat



I 1xback



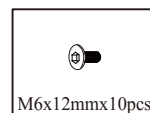
J Right armrests Left armrests



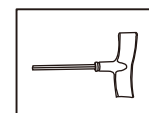
K 8xPlastic caps



M6x22mmx12pcs  
L 12xscrews



M6x12mmx10pcs  
M 10xscrews



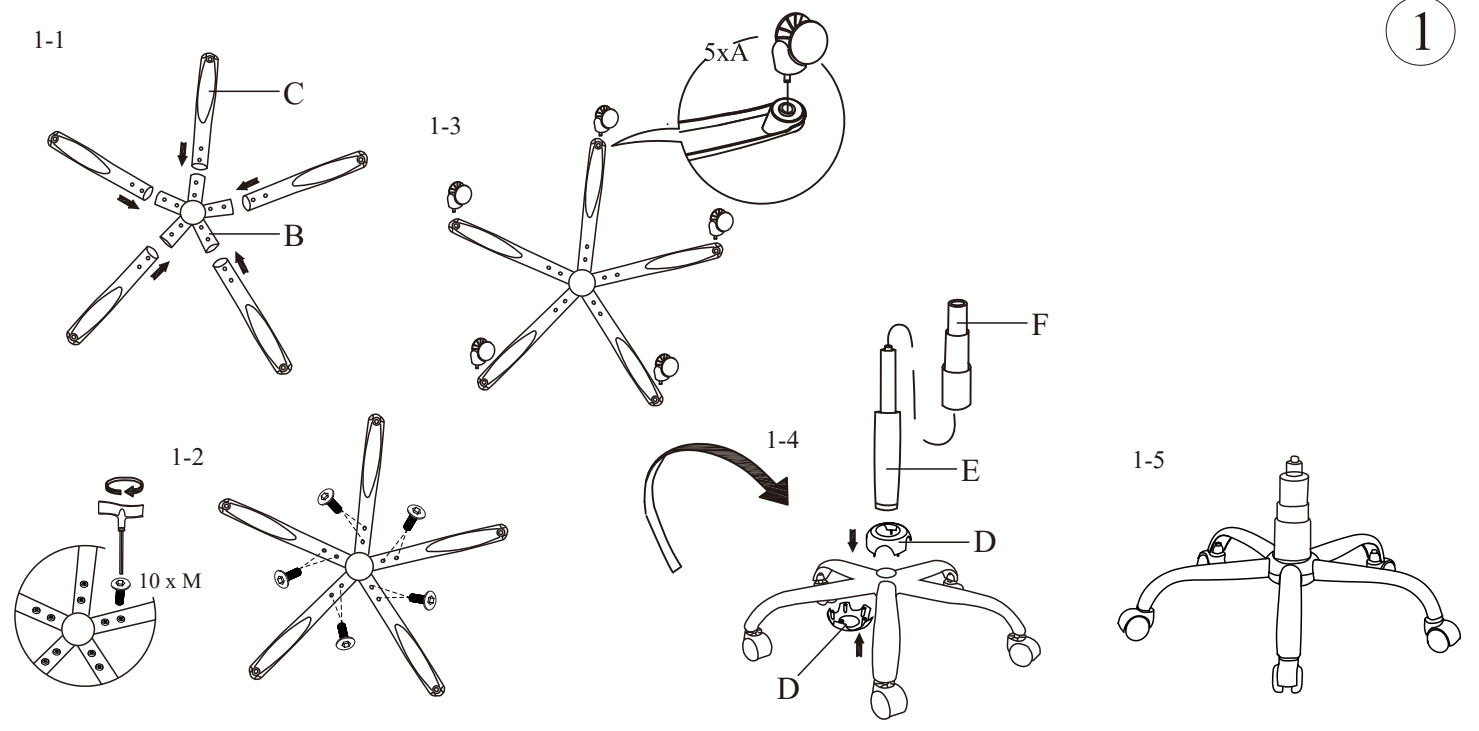
N 1xallen key

## WARNING

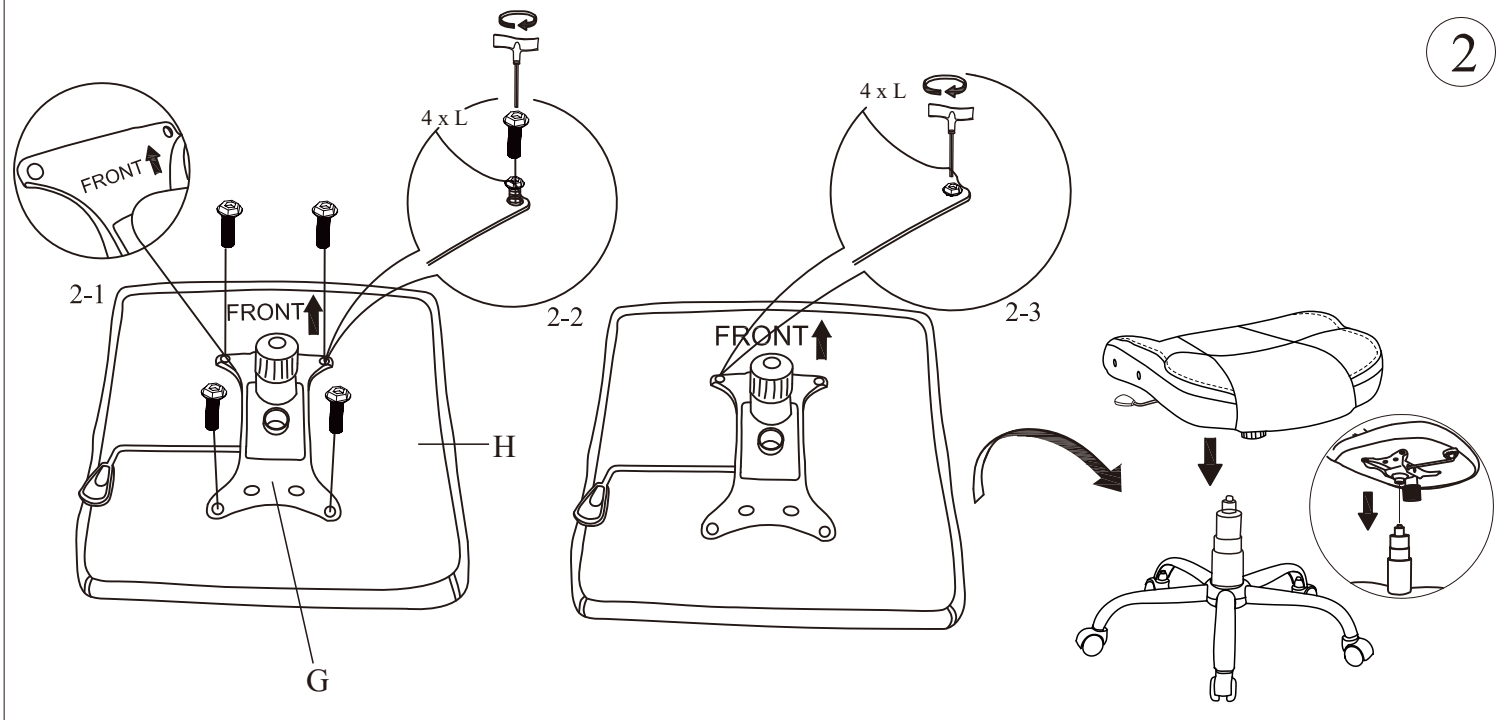
- Do not stand in this chair or use the chair as a step ladder use it as chair only.
- This chair is designed for one person to use at a time.
- This chair is designed for one person weighing up to 250lbs(113kgs).
- Do not use this chair unless all bolts, screws and knobs are firmly secured.
- Check all bolts,screws and knobs every 90days. Tighten if any are loose.
- Failure to follow these instructions may result in serious injury or death of yourself and people around you.
- Some of the part are heavy and/or has shape edge, please install it carefully to avoid hurt you and people around you.

If any parts are missing, broken, damaged or worn, stop using this chair until repairs are made and factory replacement parts are installed. You may obtain replacement parts by calling706-520-1087

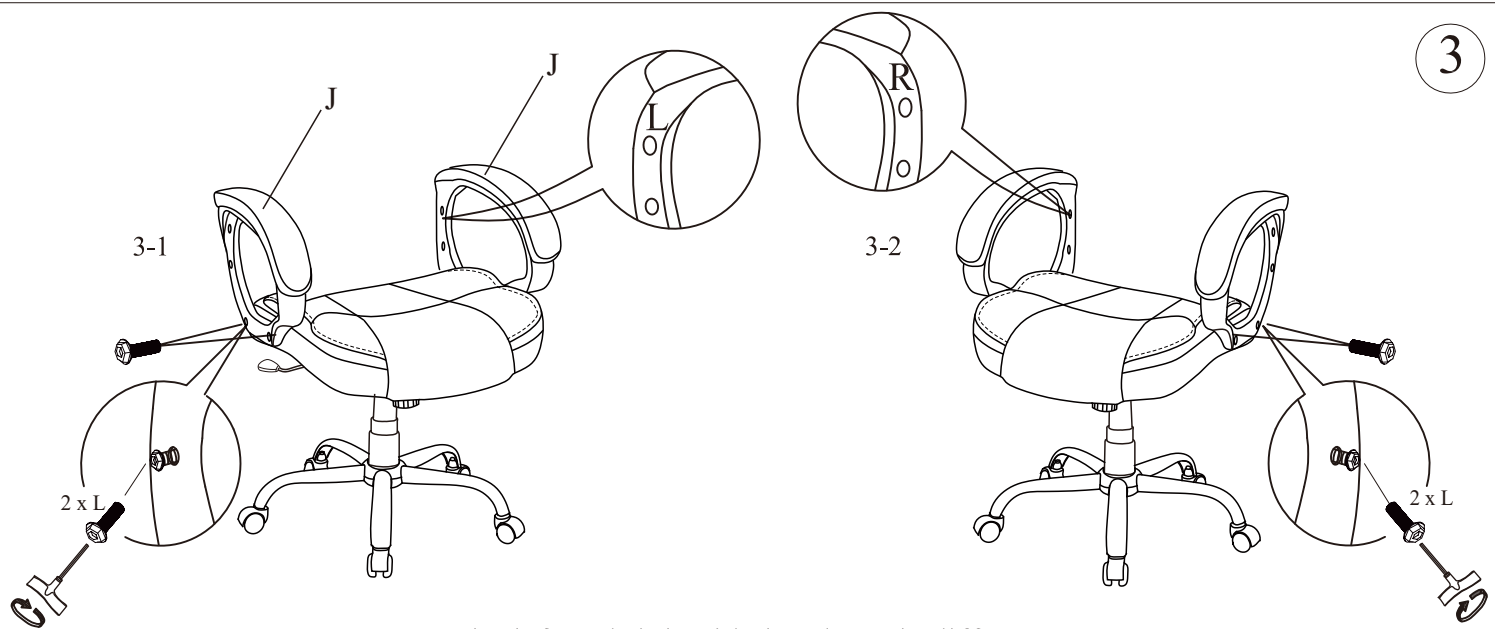
1



2

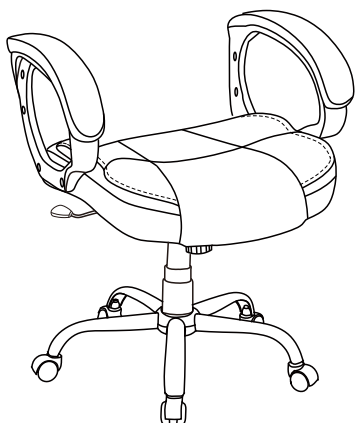


3

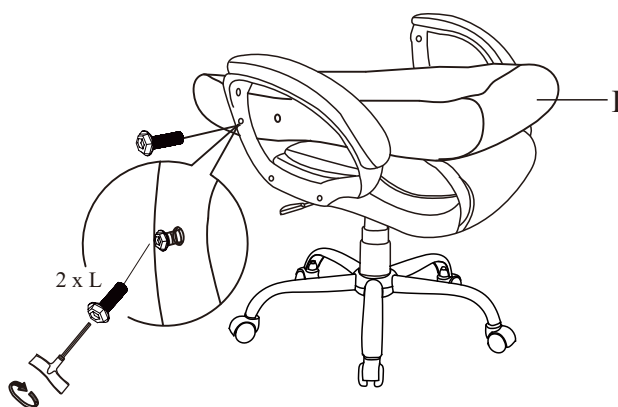


The left and right side hand rest is different

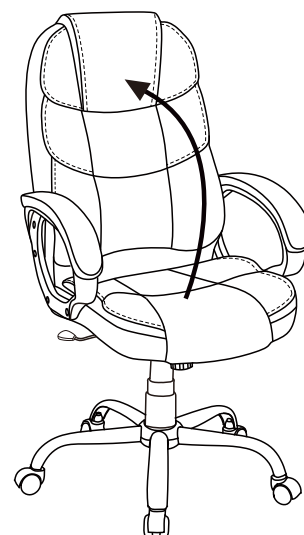
4-1



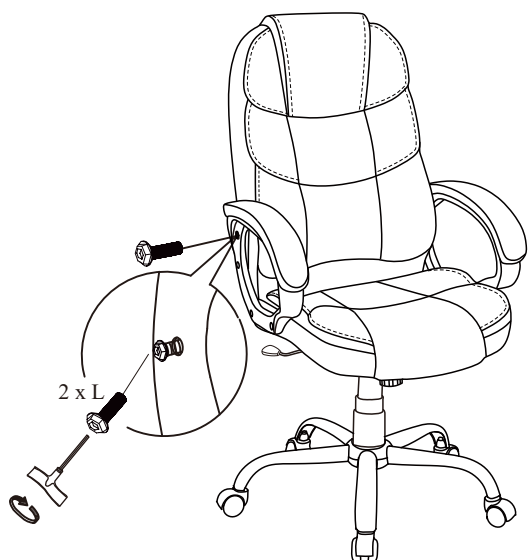
4-2



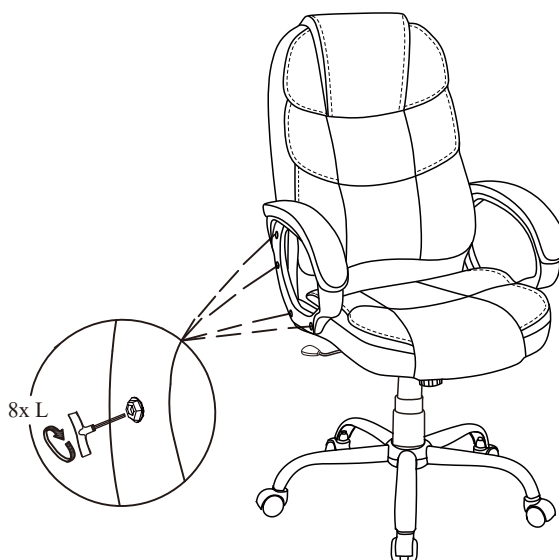
4-3



4-4

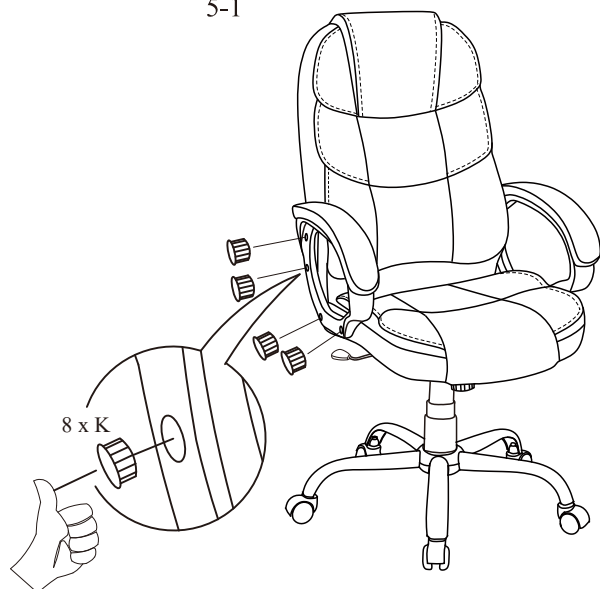


4-5



Please do not tight the screw until all screw lined up with hole and try to tight it loosely initially in all screws then tight a little bit more in all screws do not overnight one screws that will make other screw hard to tight but tight all screw firmly in the end

5-1



5-2



