

# Installation Instructions

The retrofit kit includes LED Lamp and installation instructions. Please check these items when unpacking.

The unit covered in this report is intended to retrofit Type IC or Non-IC covered ceiling recessed luminaire with through-branch wiring marked "Max. 8 of 12 AWG conductors" with instructions to remove the existing trim and diffuser.

## WARNING

**WARNING** – Risk of fire or electric shock. LED Retrofit Kit installation requires knowledge of luminaires electrical systems. If not qualified, do not attempt installation. Contact a qualified electrician.

**WARNING** – Risk of fire or electric shock. Install this kit only in luminaires that have the construction features and dimensions shown in the photographs and/or drawings and where the input rating of the retrofit kit does not exceed the input rating of the luminaire.

Do not make or alter any open holes in an enclosure of wiring or electrical components during kit installation.

**WARNING** – To prevent wiring damage or abrasion, do not expose wiring to edges of sheet metal or other sharp objects.

"MIN. LAMP COMPARTMENT DIMENSIONS 112(DIA) X 140(H) mm"  
 "SUITABLE FOR DRY LOCATIONS , DAMP LOCATIONS".

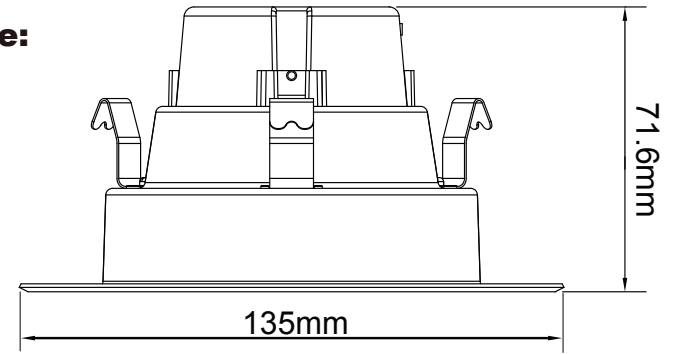
Installers should not disconnect existing wires from lampholder terminals to make new connections at lampholder terminals. Instead installers should cut existing lampholder leads away from the lampholder and make new electrical connections to lampholder lead wires by employing applicable connectors.

THIS DEVICE IS NOT INTENDED FOR USE WITH EMERGENCY EXITS.

## Electrical parameters:

Model	Input Voltage	Input Frequency	Input Current (A)	Input Watts
	(V)	(Hz)		(W)
D409-3K650-B90 (L7-DL4DGWP-10W)	120	60	0.09	10
D409WW-90 (L7-DL4DGWP-13W)	120	60	0.11	13
D409W-3K650-90 (L7-DL4DGWP-10W)	120	60	0.09	10

**Product size:**  
**Unit: mm**



Dimension tolerance: ±1.5mm

## Installation steps:

### STEP1:

Turn off the power before installation, Remove the diffuser existing bulb if necessary and remove the existing trim.

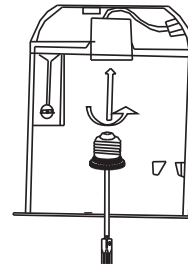


Figure 1

### STEP2:

As shown in Figure 1  
 Twist the lamp base into the lamp holder.

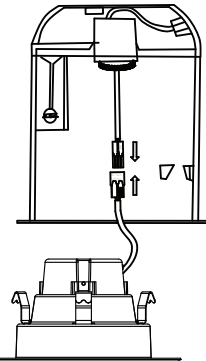


Figure2

### STEP3:

As shown in Figure 2  
 Connect the lamp connector with lamp base connector.

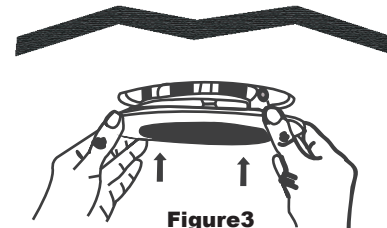


Figure3

### STEP4:

As shown in Figure 3  
 Push the LED retrofit trim into the recessed light fixture, allowing the mounting clips to pull the LED trim up into the recessed light fixture. Continue to push the LED trim until its outer edge is flush against the ceiling surface.