

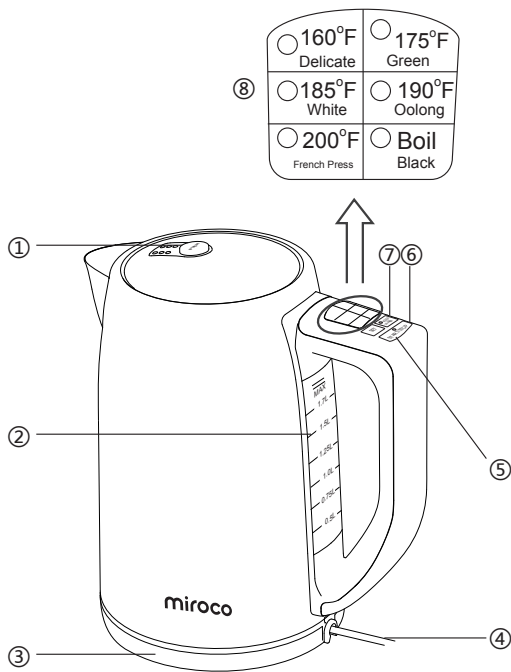
Model: MI-EK001

miroco

miroco
www.mirocohome.com

NORTH AMERICA
E-mail: support@mirocohome.com

MIROCO MI-EK001 1.7L STAINLESS STEEL ELECTRIC KETTLE
User Guide



Product Diagram

- ① Lid Release Button
- ② Water Level Indicator
- ③ Base
- ④ Power Cable
- ⑤ Set Button
- ⑥ Keep Warm Button
- ⑦ Start / Stop Button
- ⑧ 6 Temperature Settings:

160°F, 175°F, 185°F, 190°F, 200°F, Boil

Thank you for choosing the MIROCO MI-EK001 1.7L Stainless Steel Electric Kettle. Please read this manual carefully and store it in a safe place for future reference. If you have any questions or concerns, please contact our customer support team by email at support@mirocohome.com.

How to Use

Getting ready: Place the kettle base on an even surface and connect the power cable. For first-time use, fill the kettle to the maximum water level and fully boil it, then pour the water away.

1. After the kettle is powered, all of the LED indicators will flash once and the water level indicator will keep on, the device enters standby mode with a beep sound. If no operation is detected within 5 minutes, the water level indicator will also turn off.
2. Press the Set Button once to start setting the temperatures and you will hear a beep sound. The default temperature setting is Boil / 212°F. Once the temperature is set, press the Start / Stop Button again to start boiling water. The Start/Stop Button indicator will light up and the temperature indicator will flash. When the water reaches the target temperature, you will hear 3 beep sounds.
3. Press the Set Button to select from 6 different temperature settings. Cycle through the temperature settings with each press of the Set Button. The corresponding temperature indicator will light up. Once the maximum or minimum temperature setting is reached, keep pressing the Set Button will not change the setting.
4. Press the Keep Warm Button to preserve the temperature of the boiled water. Press again to disable the function and the light will turn off. Once the keep warm function is activated, the heat will be preserved for 30 minutes until it automatically shuts off and enters standby mode.
5. Press the Set Button during boiling to switch the temperature setting. Press the Keep Warm Button to activate or disable the heat preservation function. Press the Start / Stop Button to stop boiling.

Note: Do not dry boil. If you do, the kettle will enter protection mode and disable all buttons and indicators. It will only enter standby mode again after the kettle is completely cooled off.

Caution

1. This appliance is not intended for use by persons (including children) with reduced physical, sensory or mental capabilities, or lack of experience and knowledge, unless they have been given supervision or instruction concerning use of the appliance by a person responsible for their safety.
2. Do not disassemble the product.
3. Please do not remove the power cable with wet hands as it may cause an electric shock.
4. Do not use the product to boil milk, coffee, tea, or to cook food.
5. Do not dry boil the kettle.