



Perlegear

SPEAKER WALL MOUNT



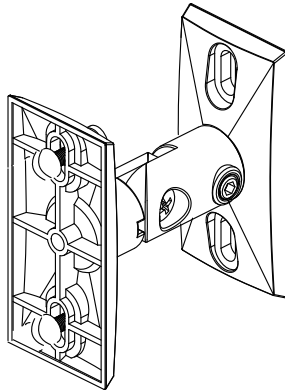
x 2

2 pack Model **PGSPM2**



x 5

5 pack Model **PGSPM5**



WARNING

- Warning! Severe personal injury and property damage can result from improper installation or assembly. Read the following warnings before beginning.
- This product has been designed for use on a vertical wall constructed of masonry (solid concrete) or wood studs or brick wall. Wood studs must be a minimum of 2x4 inches. For safe installation the wall you are mounting to must support 4 times the weight of the total load. If not, the surface must be reinforced to meet this standard.
- For custom installation please contact a qualified installer. The installer is responsible for verifying that the wall structure surface and the anchors used in the installation will safely support the total load.
- Do not exceed the maximum weight capacity for this product. Use with products larger than suggested maximum weight and size may result in instability causing possible injury or damage.
- Be careful of in-wall utilities; Natural Gas, Plumbing, Electrical.
- CAUTION: The maximum loading weight for dry wall is 8 lbs, exceeding weight limit may cause injury. Please follow instruction.
- If you do not understand the instructions or have any concerns or questions, please contact a qualified installer or perlegear customer service at customerservice@perlegear.com
- Please check www.perlegear.com and www.perlegearshop.com for more products and company information!

TOOLS NEEDED



● Power Drill



● Phillips Screwdriver



● Pencil



● Stud Finder



● Hammer



Ø8 mm
5/16"
(concrete)



Ø3.2 mm
1/8"
(stud)

WEIGHT & SIZE CAPACITY



CAUTION!



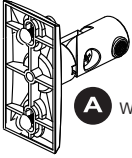
Speaker Weight Max

Does your speaker weight more than 8 lbs.(3.6 kg) including accessories?

No - Perfect!

Yes - This mount is **NOT** compatible.

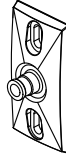
CONTENTS



A Wall Mount



B Small Speaker connector













C Large Speaker connector



D Allen Key

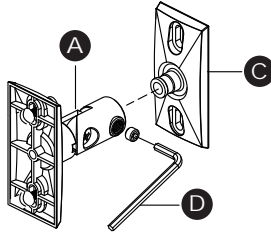
Part No.		QTY / PGSPM2	QTY / PGSPM5
A	Wall Mount	2	5
B	Small Speaker connector	2	5
C	Large Speaker connector	2	5
D	Allen Key	1	1

Hardware kits

Wall Kit		Speaker Kit							
									
W-A	W-B	S-A	S-B	S-C	S-D	S-E	S-F	S-G	S-H

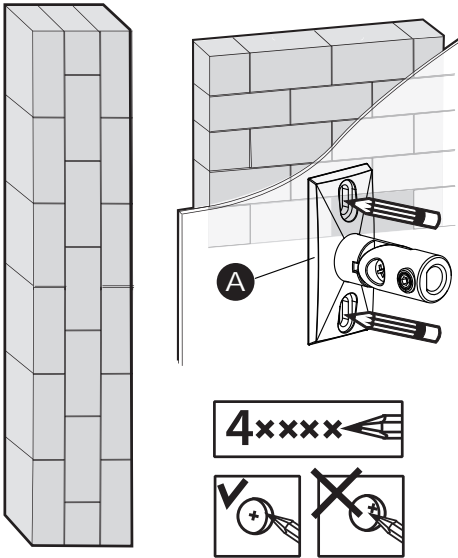
Part No.		QTY / PGSPM2	QTY / PGSPM5
W-A	Lag Bolt 4.8mm x 50mm	4	10
W-B	Anchor	4	10
S-A	Wood Screw 5.5mm x 22mm	4	10
S-B	Phillips Screw 5/16" x 16mm	2	5
S-C	Phillips Screw 3/16" x 20mm	2	5
S-D	T Nut 3/16"	2	5
S-E	Phillips Screw 1/4" x 25mm	2	5
S-F	Phillips Screw M6 x 20mm	2	5
S-G	Phillips Screw M5 x 20mm	2	5
S-H	Phillips Screw M5 x 15mm	2	5

Remove the speaker mount **C** from the wall mount **A** with the Allen key **D**.

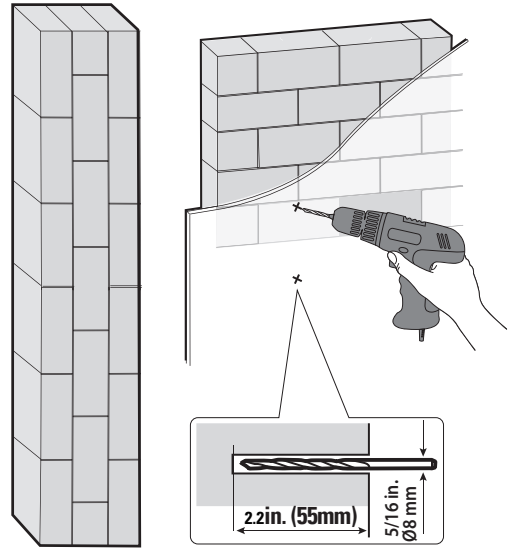


2a. MOUNT WALL PLATE ON CONCRETE WALL

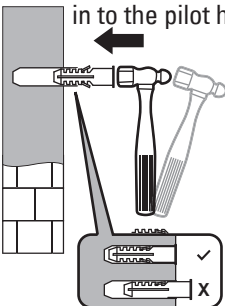
Use wall plate (A) to mark four mounting hole locations.



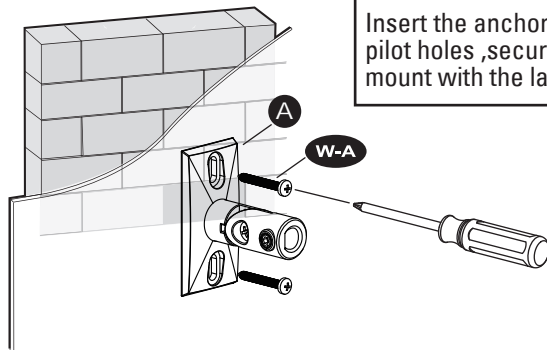
Drill pilot holes using a 5/16 in. (8 mm) diameter drill bit.



Insert the anchors
in to the pilot holes

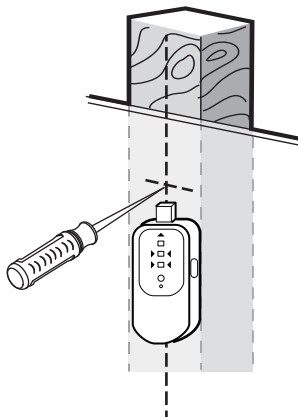


Insert the anchors in to the
pilot holes, secure the wall
mount with the lag bolt.

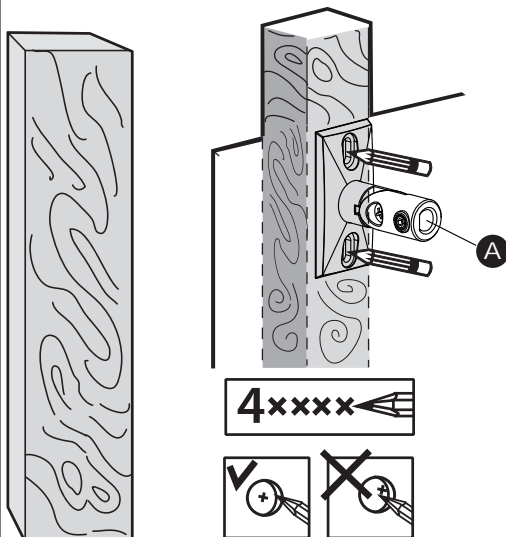


2b. MOUNT WALL PLATE ON SINGLE STUD

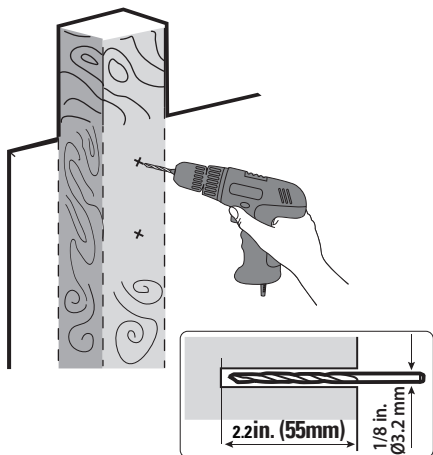
Find the stud by the stud finder and mark the center.



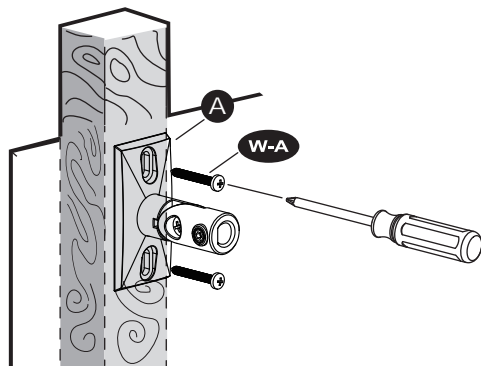
Use wall plate (A) to mark four mounting hole locations.



Drill pilot holes using a 5/16 in. (8 mm) diameter drill bit.

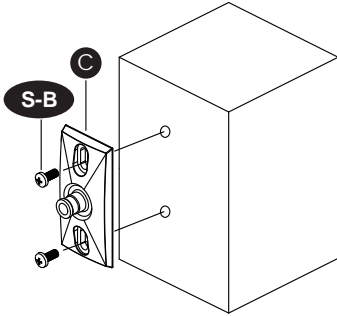


Secure the wall mount with the lag bolt.



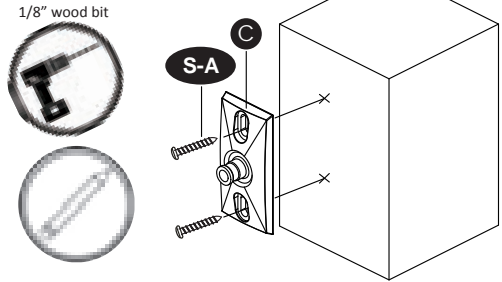
3. ATTACH MOUNT TO SPEAKER

Speaker option A: two thread inserts



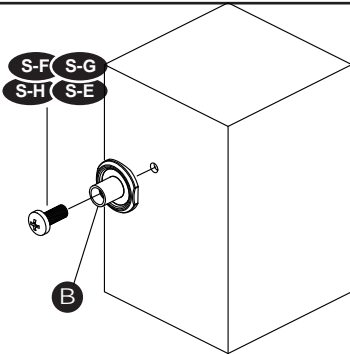
1. Screw double speaker plate onto back of speaker
2. Attach speaker to arm section and tighten securely

Speaker option B: wood backed speaker



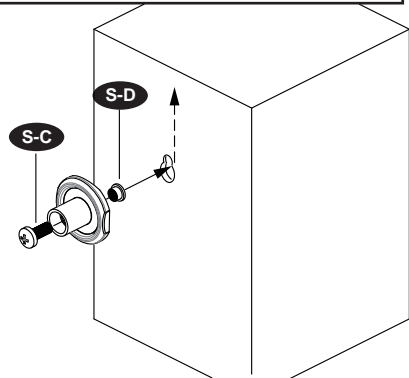
1. Determine best location for speaker plate
2. Use speaker plate as template
3. Mark hole locations with pencil
4. Drill hole locations with 3/16" wood bit
5. Attach plate with wood screws as shown

Speaker option C: single thread insert



1. Select appropriate screw size
2. Screw single speaker plate onto back of speaker
3. Attach speaker to arm section and tighten securely

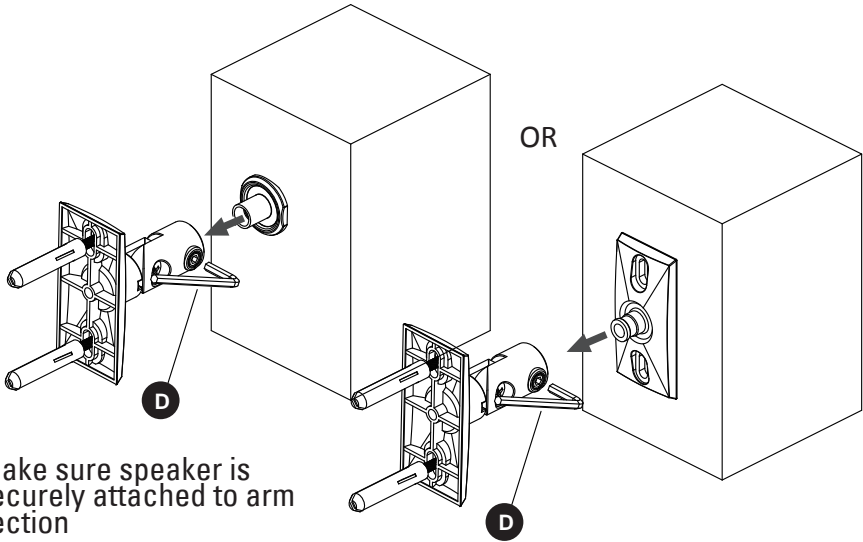
Speaker option D: keyhole insert



1. Insert screw through single speaker plate
2. Thread copper nut onto screw
3. Attach speaker plate to arm section and tighten securely
4. Insert copper nut into keyhole and lower speaker into position

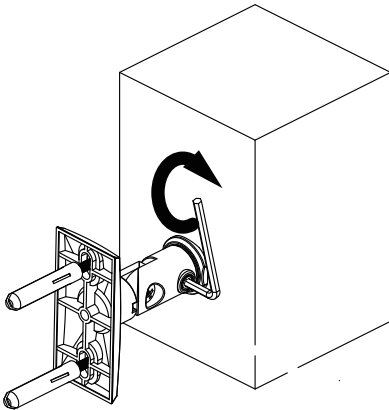
4. SECURE SPEAKER TO WALL MOUNT AND ADJUST IT TO DESIRED ANGLE

Check speaker

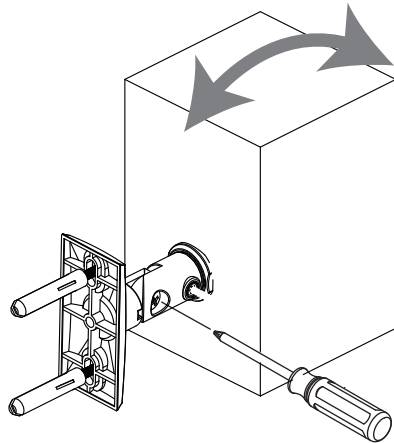


Make sure speaker is securely attached to arm section

Adjust speaker



Make sure speaker is securely attached to arm section



1. Loosen angle adjust screw
2. Adjust speaker to desired angle
3. Tighten adjust screw securely



Perle electronics hardware (Hongkong) Co., Limited (collectively, "Perle electronics hardware"), intend to make this manual accurate and complete. However, Perle electronics hardware makes no claim that the informations contained herein covers all details, conditions, or variations. Nor does it provide for every possible contingency in connection with the installation or use of this product. The information contained in this document is subject to change without notice or obligation of any kind. Perle electronics hardware makes no representation of warranty, expressed or implied, regarding the information contained herein . perle electronics hardware assumes no responsibility for accuracy, completeness or sufficiency of the information contained in this document. Perlegear is a Perle electronics hardware brand. Perlegear and the Perlegear logo are trademarks of Perle electronics hardware.

Perle electronics hardware Global Headquarters • Room 1505 Building 17/F NO.3, Kwai Cheong Rd Nt, HongKong •

Any questions please contact : customerservice@perlegear.com

Please check www.perlegear.com and www.perlegearshop.com for more products and company information!

Made in China.