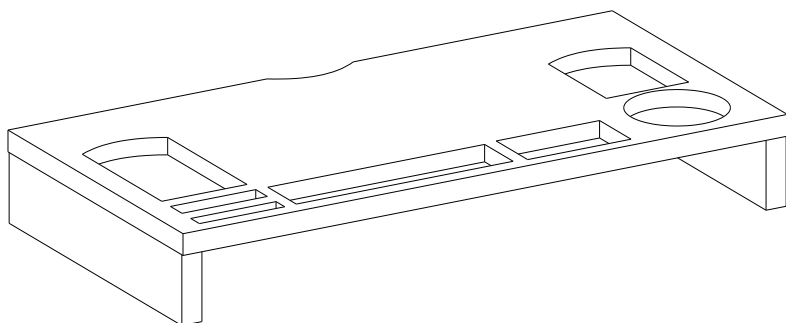


ULLD201



www.songmics.com

Instruction Manual



Thank you for your purchase.

Please contact us if you have difficulty with assembly or need replacement parts.

Wuppessen Customer Service is here to assist you.

Email: customerservice@songmics.com

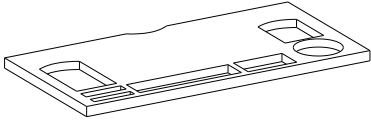
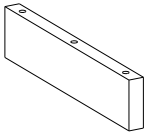


Please attach your User Name or Order ID so that we can assist you better.



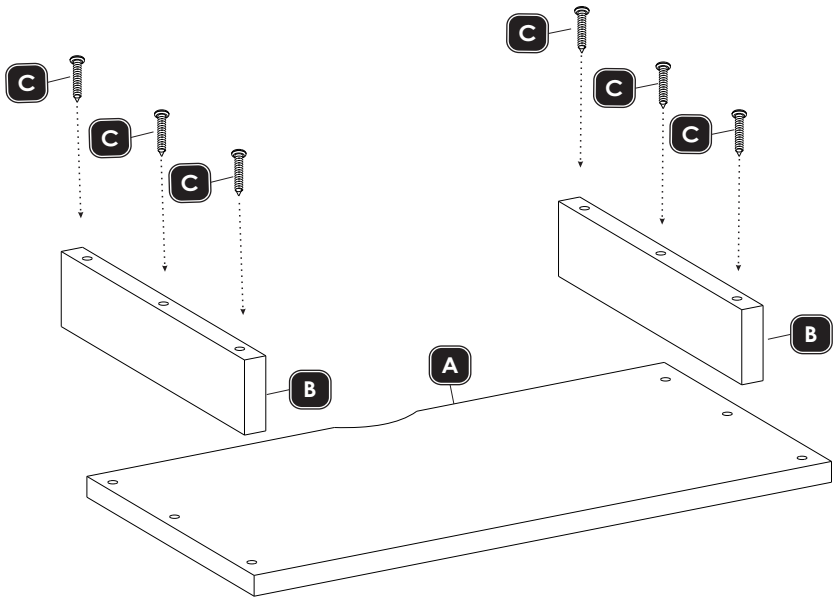
Visit www.songmics.com or scan the QR code for more product details.

You may also find "Songmics" on Facebook and YouTube.

- Please read the following instruction carefully and use the product properly.
- Please keep this manual and hand it over when you transfer the product.
- We have tried to make it clear by line drawing and text. This summary may not include detailed information of all variations and considered steps. Please contact us for extra information and help.
- The copyright belongs to Wuppessen, Inc.. Copying, reselling, modifying, translating or other improper treatment to this instruction without authorization is forbidden.

Part number	Image	Quantity
A		× 1
B		× 2
C		× 6
D		× 1

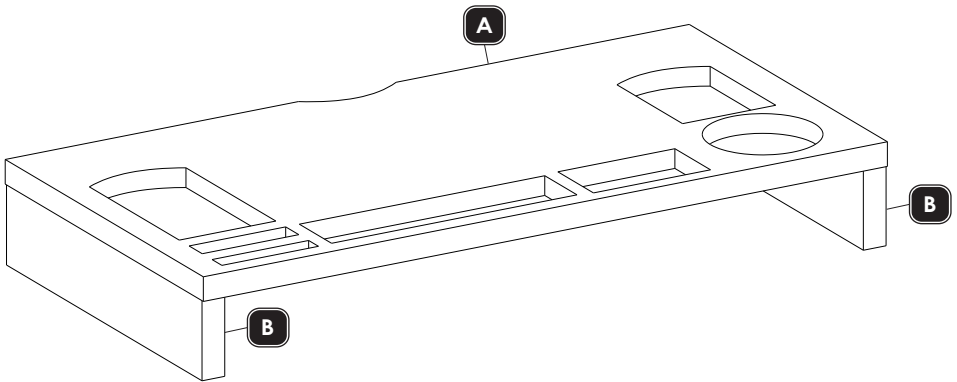
- Please screw the two legs tightly, in case of the stand wobbling when use.

**STEP 1**

5

Assembly Steps

- The max weight bearing of this product is 60Lbs.
- Please DO NOT wash or expose this item to the sun. If there are stains, just wipe it with a clean wet cloth, and dry in the air.



STEP 2

Get Free Products!

If your advice on either our product or instruction is taken, a free trial of our products will be provided!

© 2016 Wuppessen Inc. 1730 Cedar St. Ontario, CA, 91761, U.S All rights reserved.

Version QM: 1.0

Stand: 15.06.2016