

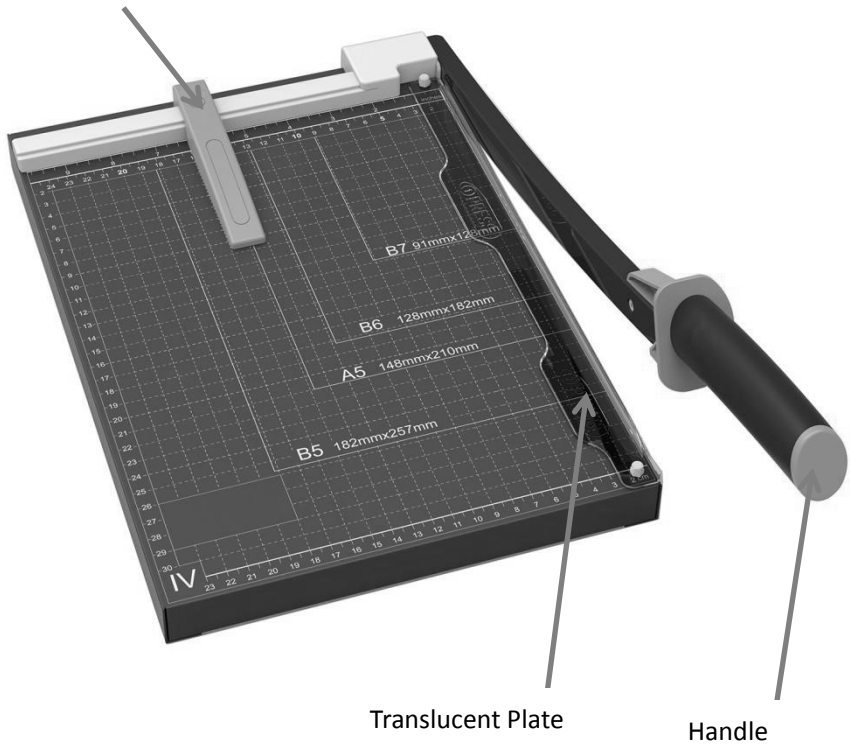
Instruction Manual

Marigold Paper Guillotine

[GL410]

Version: 201609

Paper Stop



Translucent Plate

Handle

Read all instructions before use, and for future reference.

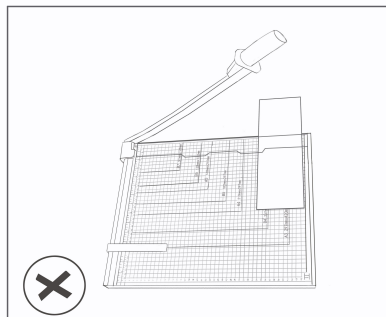
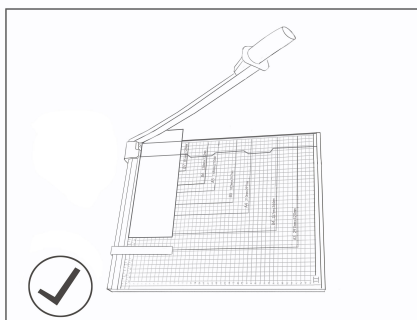
Marigold Guillotines GL410

Model	GL410
Max. format	12" / A4
Cutting length	12" / 320mm
Max Cutting capacity (80gsm or 20lb paper)	10 sheets
Cutting table	12"x10" [250x320mm]
Dimensions (mm)	350x300x60
Weight (kg)	3,25

INSTRUCTION

Place the guillotine on a stable flat surface. Lift the blade up to its maximum position. Place the paper on the guillotine underneath the transparent blade-guard, and then lower the blade with the right hand.

Side Note: Please place the paper on the correct position as images below to start cutting paper

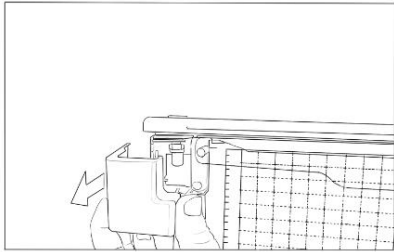


MAINTENANCE

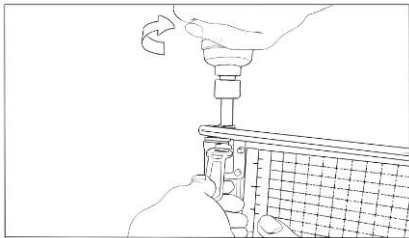
- Clean guillotine with a dry cloth. Never use solvents or water. To prolong the life-time of the blade, it is recommended to regularly wipe it down with a silicone fluid, liquid Vaseline or other rust-preventative oil.

- Should the blade loosen, follow the 2 below steps to tighten the blade:

[A] Use a screw driver to dismantle the Grey part as shown in the image below.



[B] Use a hex screw driver to tighten the screw bolt with one hand, while using wrench to hold the nut in place with the other hand. See image below.



NOTE!

- When not in use, the guillotine's blade should be placed down (in horizontal position).
- Using more than the recommended amount of paper could cause permanent damage to the blade.
- This product is intended for the cutting of paper. Do not use the product for any other purpose.
- This product is not intended for use by children. Keep product out of the reach of children.

To avoid damage to the product:

- Remove paper clips and staples from items before cutting paper.
- Do not expose product to humidity, water or other liquids.

During use, the protective black coating of the blade may wear off over time.

To avoid possible severe personal injury:

- Always operate the product on a flat, level, steady surface to avoid it overturning.
- Never operate the guillotine without the transparent blade-guard in place.
- Never carry the guillotine by the blade.
- Never carry the guillotine by the cutting handle.
- Do not attempt to dislodge jammed debris with a pointed object, as personal injury or product damage may occur.