

INSTRUCTION MANUAL

OL10-009D



Please keep this manual carefully for further reference!

Thank you for selecting our super quality dehumidifier. Please be sure to read this manual carefully before using it. Any question, please contact the professional service for help. Keep the manual for future reference.

The dehumidifier will remove excess moisture from the air, creating a comfortable environment for your home and Office. Its compact design allows you to easily move it to every room.

CONTENTS

CONTENTS.....	1
CAUTIONS.....	2
INSTALLATION.....	3
PARTS.....	4
OPERATIONS.....	5
WATER DRAINAGE.....	7
MAINTENANCE.....	10
TROUBLE SHOOTING.....	12

CAUTIONS



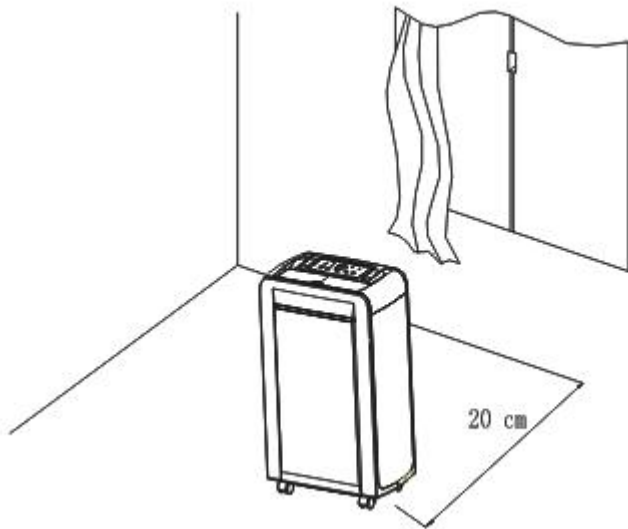
Please read the operating instructions carefully before using your dehumidifier for the first time.

1. Install the unit on flat and hard floor to diminish vibration or noise.
2. Never immerse the unit in water or other liquids.
3. Never operate the unit if the cable or other connector is damaged, or something abnormal may happen, please call customer service for help.
4. Disconnect the unit from power supply when it is not in use, or before relocating or cleaning it.
5. Operate the unit only at the voltage specified.
6. The unit is for indoor use only. Don't use it for other purpose.
7. Do not put heavy objects on the appliance.
8. Do not tip the unit to any side as spilt water could damage the appliance.
9. Never insert any other object into the unit body to avoid any hazard or unit failure.
10. Do not put the unit close to heat-generating devices or near flammable and dangerous materials.
11. This appliance is not intended for use by persons (including children) with reduced physical, sensory or lack of experience and knowledge, unless they have been given supervision or instruction concerning use of the appliance by a person responsible for their safety. Children should be supervised to ensure that they do not play with the appliance.
12. If the supply cord is damaged, it must be replaced by the manufacturer or its service agent or a similarly qualified person in order to avoid a hazard
13. The appliance must be positioned so that the plug is accessible
14. The appliance shall be installed in accordance with national wiring regulations
15. The ambient temperature range for the appliance is 5 °-35 °



Don't try to repair, dismantle or remold such appliance, or it may make some damage. Even the change of power cord should be done by special qualified person.

INSTALLATION



Install the unit in hard & flat floor, keep the room ventilated. Leave at least 20cm space around the unit (when the hose is not connected).

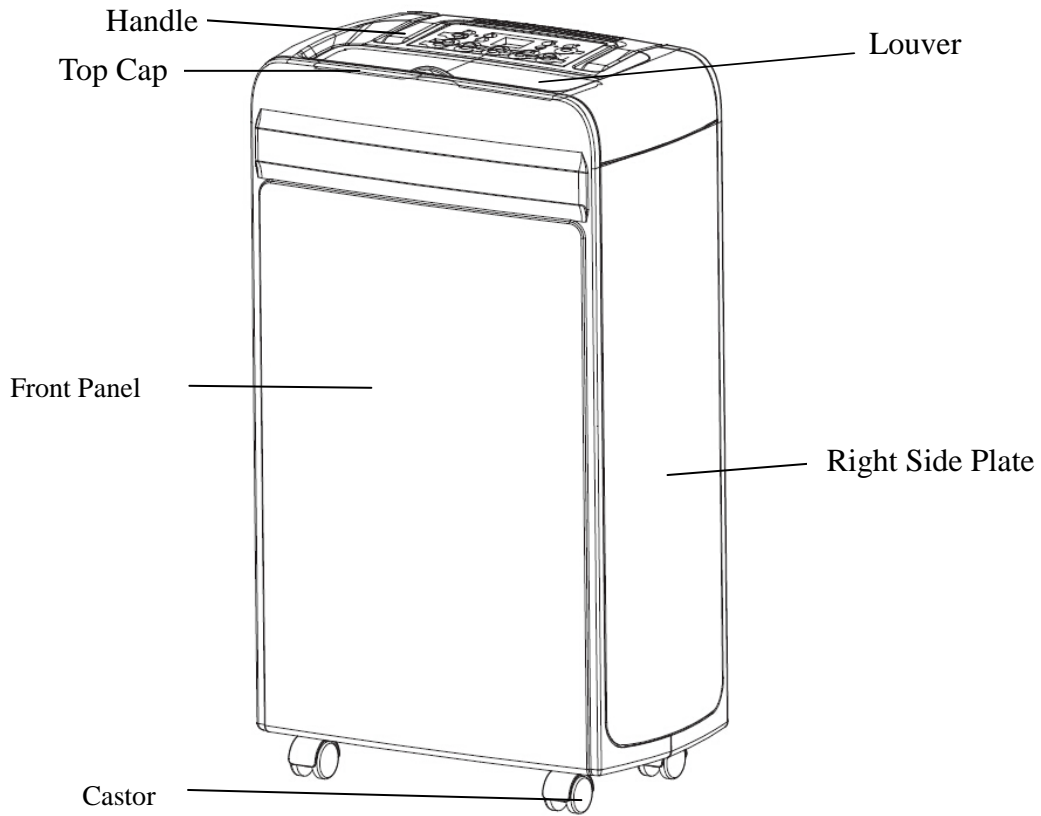
1. Push the rubber adaptor of the water pipe on the drainage port of rear panel. Please refer the following picture.
2. Connect the water pipe to bathroom, outdoor or a container, such as bucket.

NOTE:

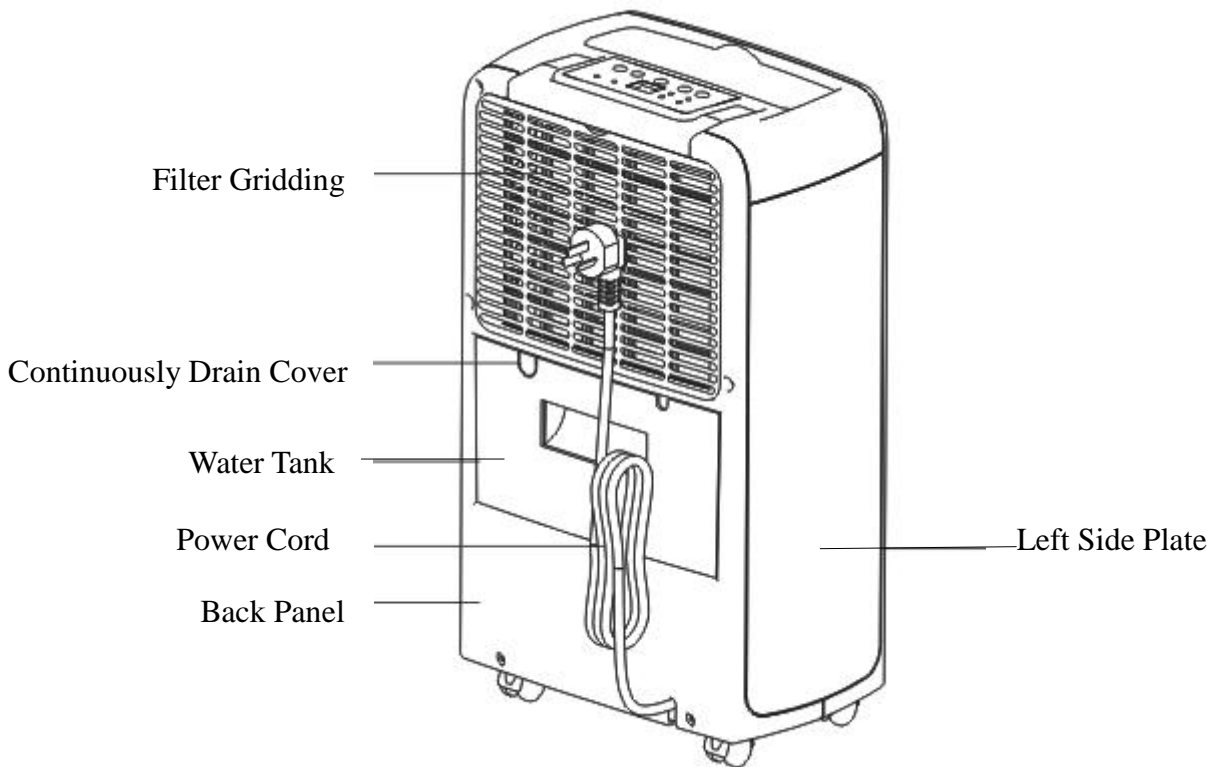
1. Do not block the drainage port or water pipe.
2. Do not fold the water pipe or make it 1.5m higher than the bottom of unit.
3. Do not replace the rubber adaptor of the water pipe, it's the special accessory for the unit only, other adaptor may not fit the unit. If it's damaged or lost, please call the customer service for replacement.

PARTS

Front



Back



OPERATIONS



Note: please open the louver before you start the dehumidifier

Indication

1.  **Power indication**

When power is on, whenever it is running or not, the power indicator shows green

2.  **Water full indication**

When water tank is full, indicator light shows red and the unit will buzz for 15 times and then stop. You must empty the water tank and put it back to correct position.

3.  **Timer indication**

.when time on or timer off, the indicator light shows green

4.  **Low fan speed indication**

When running in low fan speed, the low fan speed indicator shows green

5.  **High fan speed indication**

When running in high fan speed, the high fan speed indicator shows red

6.  **Drying clothes model indication**

When in drying clothes model, the drying clothes model indicator shows red

7.  **Ionizer feature:**

When the ionizer function is running the indicator shows green.



8. **Display**


This indicator with 3 functions as below:

1. When the power is on, it shows indoor humidity
2. When you adjust humidity, it shows the selected humidity data
3. When set the timer on/off, it shows the timer data

Control Panel:

1. **Power** 

Press this button to turn on /off the unit. Do not unplug the power cord directly to force the machine stop working directly

For first use, when plug the unit and the buzzer would sound buzz. Press  to turn on the unit and the primary humidity is 50%, also with low fan speed.

2. **Timer button** 

24 hours timer

Press this button to set timer on/off, if you would like to cancel timer setting, press this button to 00 shown from display.



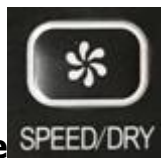
3. Humidity setting button

Press this button to adjust humidity as following (The initial humidity is 50%), from 50%→55%→60%→65%→70%→75%→80%→40%→45%→50%.When the indoor humidity is lower than the set humidity, the machine would stop automatically.




4. Fan speed setting button

Press this button to adjust the fan speed between HIGH, LOW fan speed.



5. Drying clothes feature

Press this button until  is light , the machine is in Dry Cloth mode, the machine will keep dehumidifying continuously and the fan is on High speed as default.



6. Ionizer button

Press this button to turn on /off the ionizer button, the unit will have an 8 second delay to start and stop this function.

WATER DRAINAGE

Water Tank

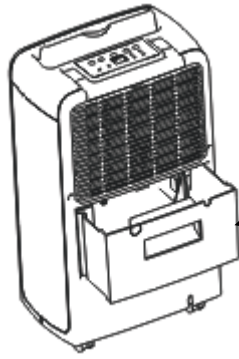
The Water full indication will show red when water tank is full, warning will be given when capacity 1.5L has been reached.

Take out the water tank, empty the water inside.

Put the water tank back into the dehumidifier

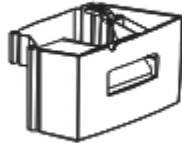
How to empty the water tank

1. Pull out both sides of water tank as below.



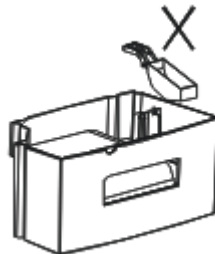
Pull the water tank at the back of the machine slightly; the water tank is forced to move out

2. Empty the water tank

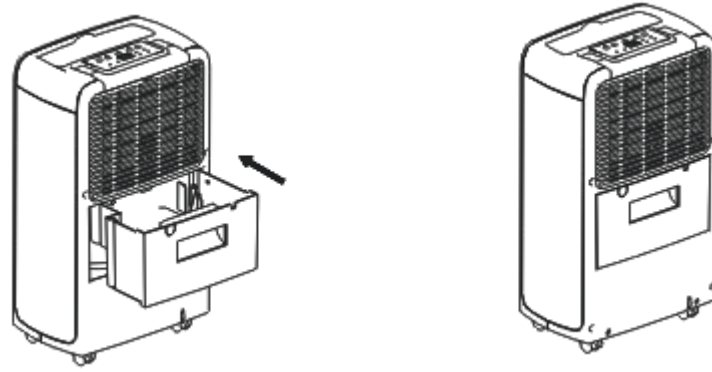


Cautions!

1. Do not remove the float from the water tank; otherwise, the machine will not stop to work when the water tank is full. Then the water will be overflow that maybe make damage to your floor.



2. Drain the water collection tank completely when water tank is full and reset your setting
3. If the water tank is dirty, clean by cool water or warm water, cannot use cleaner, steel wool, chemical rag duster, gas oil, benzene, thinner or other solvent to clean it, otherwise, it would damage the water tank and lead to leakage
4. When put the water tank back to the unit, please use two hands to push the water tank into the machine to the correct position. Or the water full indication will still show red and the machine can not work.

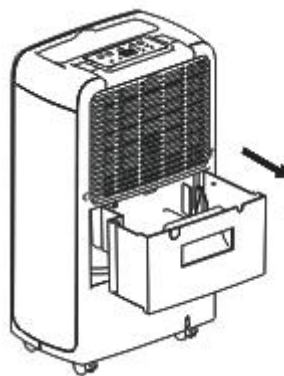


Continuous drainage

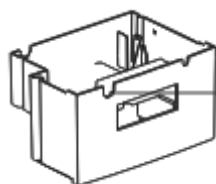
1. Open the cover on the back of the dehumidifier.
2. Take out the water tank
3. Insert a PVC pipe with 9.5mm (inner diameter 9.5mm) , and the recommended length is 300mm; put the other side into a container, such as a bucket.

NOTE: PVC pipe is excluded, need to buy separately.

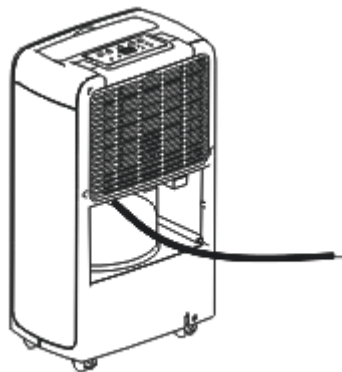
Step:



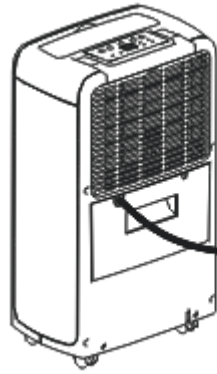
1. Take out the water tank.



2. Remove the plastic at the water level place



3. Insert the pipe into the hole of water outlet port



4. Put the drain-pipe to the specific location



Caution:

- 1. Never block the water outlet or the pipe, water will flow into the water tank if it is blocked.**
- 2. Never bend the drainage pipe and be always lower than the outlet.**
- 3. Must close the cover when no need continuous drainage.**

MAINTENANCE

NOTE:TURN OFF THE UNIT AND UNPLUG IT BEFORE ANY MAINTENANCE OR REPAIR TO AVOID ELECTRIC SHOCKS.

Cleaning

Unplug the unit before any cleaning.

Clean the housing with a soft moisture cloth. Do not use chemical solvent (such as benzene, alcohol, gasoline).The surface may be damaged or even the whole case may be deformed.

Do not sprinkle water on the unit.

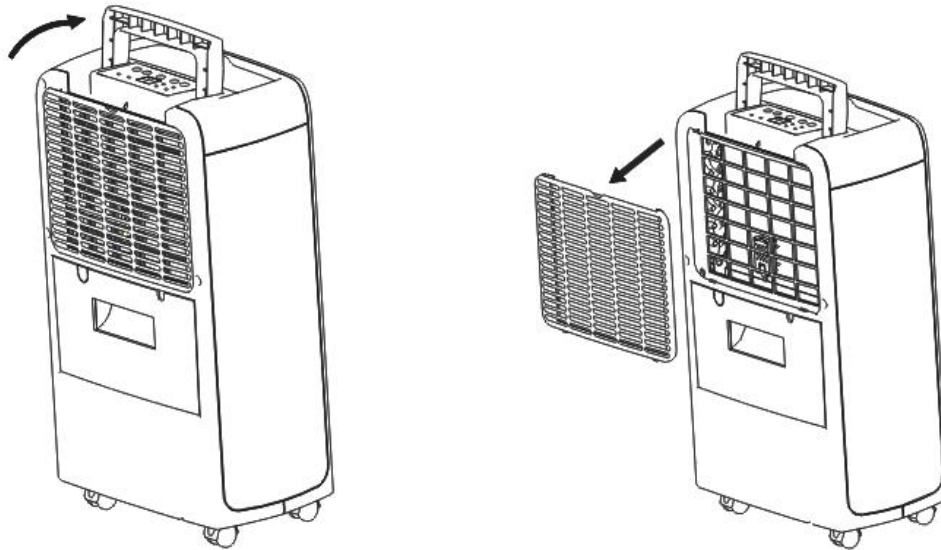
Air filter

The unit is equipped with washable air filter. Take out the washable filter. After the cleaning operation, insert the filter back to its place.

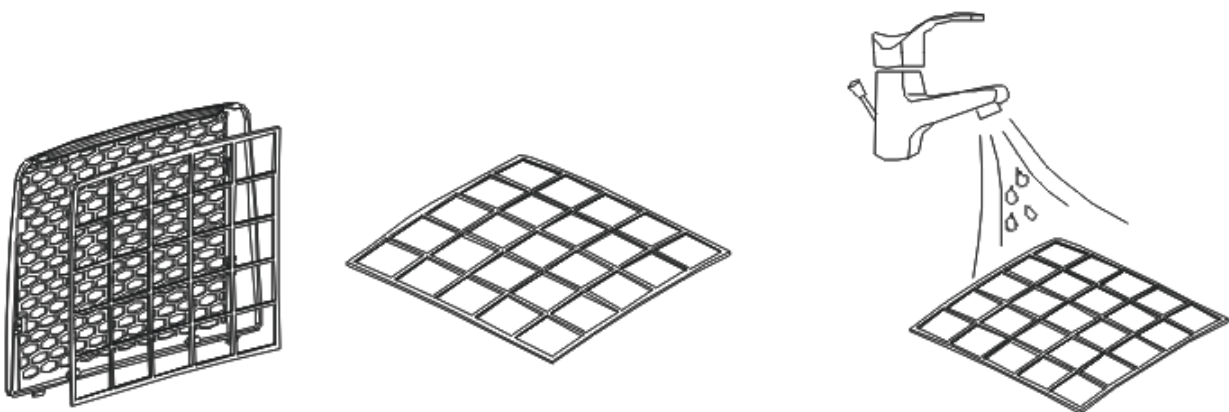
Clean the washable filter every 2 weeks. If the filter is blocked with dust, the efficiency will reduce.

Wash the air filter by immersing it gently into warm (about 40°) water with a neutral detergent, rinse it and dry it thoroughly in a shaded place.

1. Take out the filter



2. Clean the filter



3. Assemble the filter

Insert the filter back to machine slowly after washing

Dehumidifier storage

If the dehumidifier will not be used for an extended period of time:

1. Drain the water tank completely and make sure no more water stocked inside.
2. Unplug the unit and fold up the power supply cord.
3. Remove and clean the air filter, allow it to dry completely and reinstall it.
4. Store the dehumidifier in a cool, dry location, away from direct sunlight, extreme temperature and excessive dust.

TROUBLE SHOOTING

BEFORE CALLING FOR SERVICE

Before contacting professional service, review this list. It may save your expense and time. This list includes common occurrences that are not the result of a defect in workmanship or materials.

Problem	Possible Cause	Solution
The unit doesn't operate	No power supply	Connect to a functioning outlet and switch on
	Water Full Indication Flash	Drain water tank and reset your setting, or replace the water tank to right place
	Room temperature under 5 degree or above 35 degree	Self-Protection designed to protect the unit. Can not work under such temperature
	Timer function is active.	Deactivate Timer function.

The dehumidifying function doesn't work or the unit turn on / off frequently	Is the air filter clogged?	Clean the air filter as instructions
	Is the door/window opened?	Close the door / window
	Is the unit close any heat emanation?	Remove the unit to a cool place
	Is the intake duct or discharge duct obstructed?	Remove the obstruction from the discharge duct or intake duct.
Operation is noisy	Is the unit tilted or unsteady?	Place on an even, solid surface (less vibration).
	Is the air filter clogged?	Clean the air filter as instructions

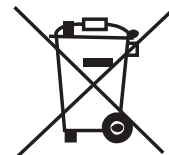
Auto Defrost, Low temperature work

5°C ≤ temperature ≤ 12°C, machine would defrost automatically for every 30 minutes

13°C ≤ temperature ≤ 20°C, machine would defrost automatically for every 45 minutes

Note: If the water full indication is often on, there may be some malfunction about the unit. Contact a service professional for help.

Cautions: Switch off the unit and unplug it immediately if anything abnormal happens. Then contact a qualified electrician.



Do not dispose of electrical appliances as unsorted municipal waste, use separate collection facilities.

Contact you local government for information regarding the collection systems available.

If you have any problem, please contact our customer service

Email address: sales14@eurgen.cn