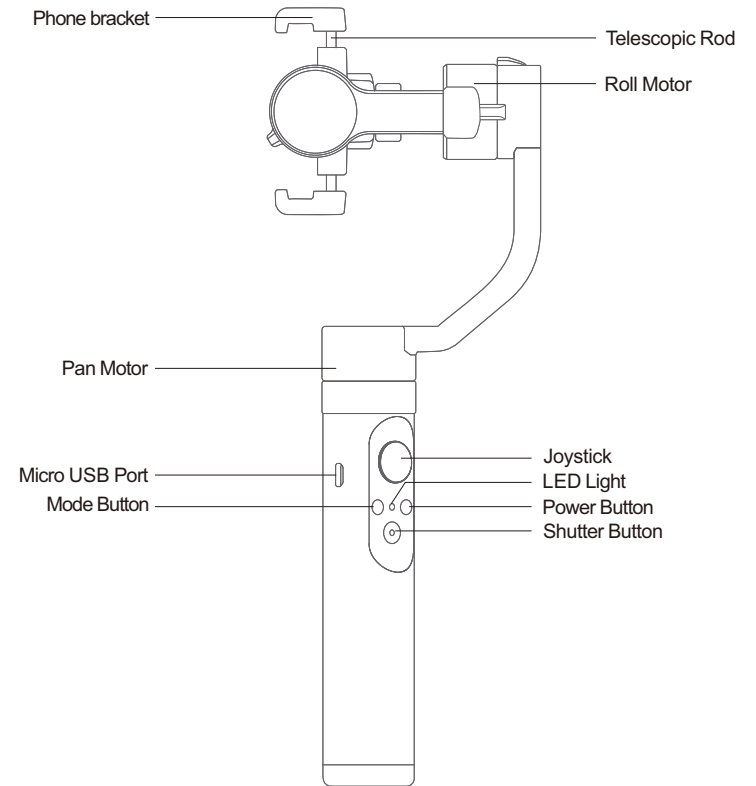
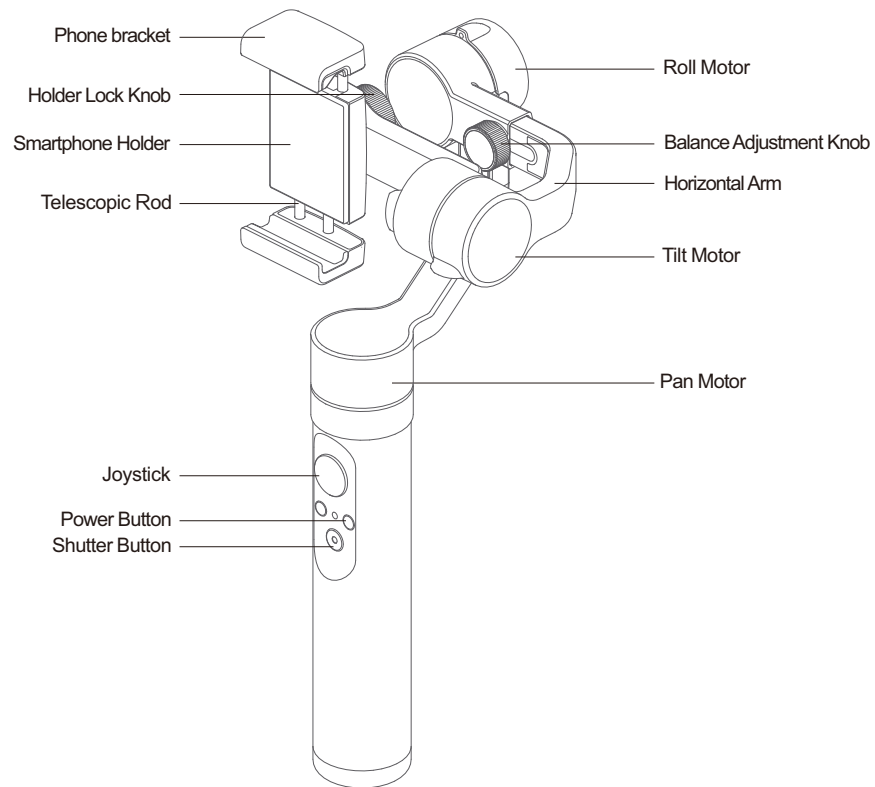




Thank you for choosing YI products

## 1. Getting to know the gimbal





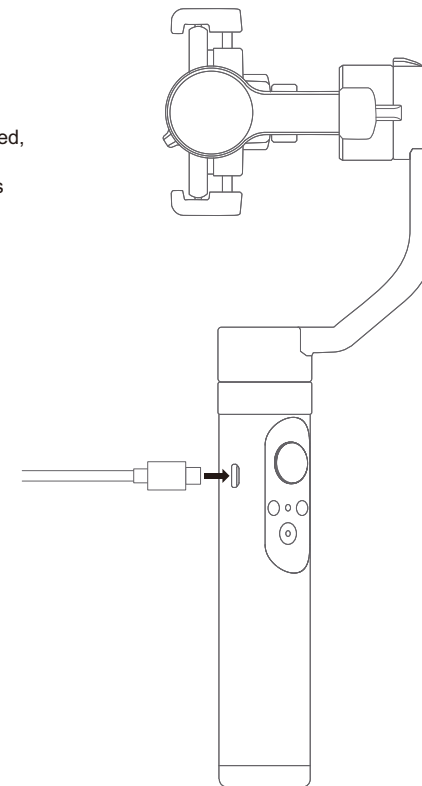
## 2. How to use the gimbal

### 1) Charging

You can charge YI Action Gimbal through the Micro USB port, the standard charger output should be 5V/2A.

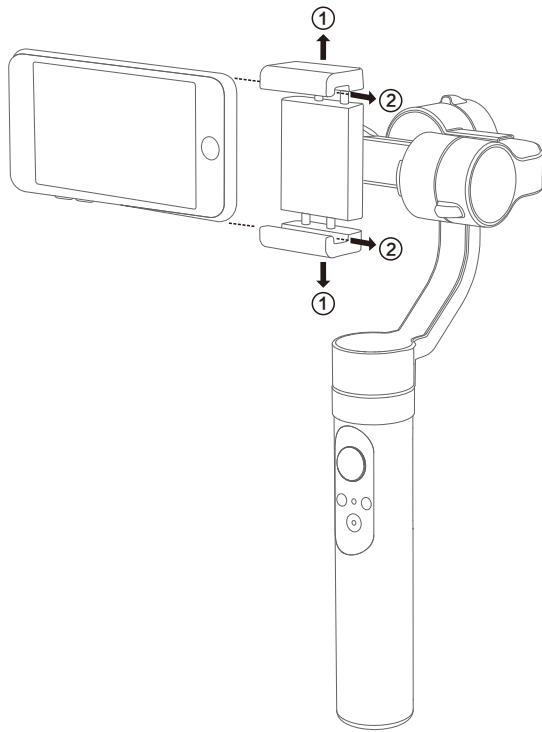
### 2) Indicator

1. When charging with gimbal ON, the LED will flash, when charging is complete, the LED will remain on.
2. When charging with gimbal OFF, the LED will flash red, when charging is complete, the LED will turn green.
3. We don't advise charging the gimbal through PC, it is too slow.
4. The gimbal has a built-in battery that should not be removed.



### 3) Placing the phone

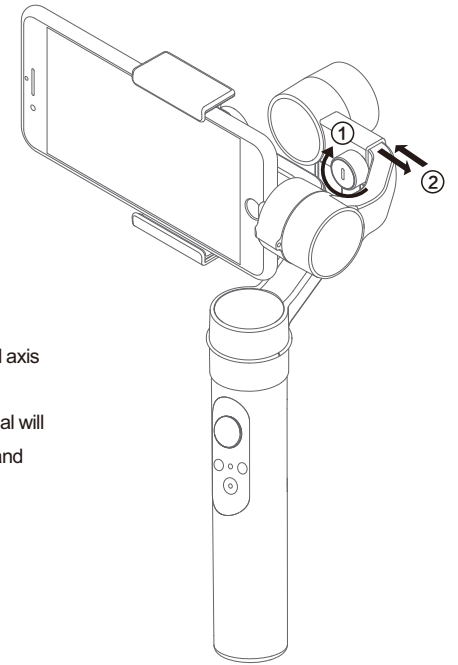
1. Place your phone inside the phone bracket and pulling the sides of the holder.
2. Release the sides of the holder so they hold phone in place.
3. Make sure your phone next to the tilt motor closely.



### 4) Adjust balance

Adjust roll axis balance by loosening the Balance Adjustment knob and sliding the Horizontal Arm.

The roll axis is balanced if the smart phone remains level when released.



#### Tips:

If the roll axis tilts to the left, pull out the arm until the roll axis remains level.

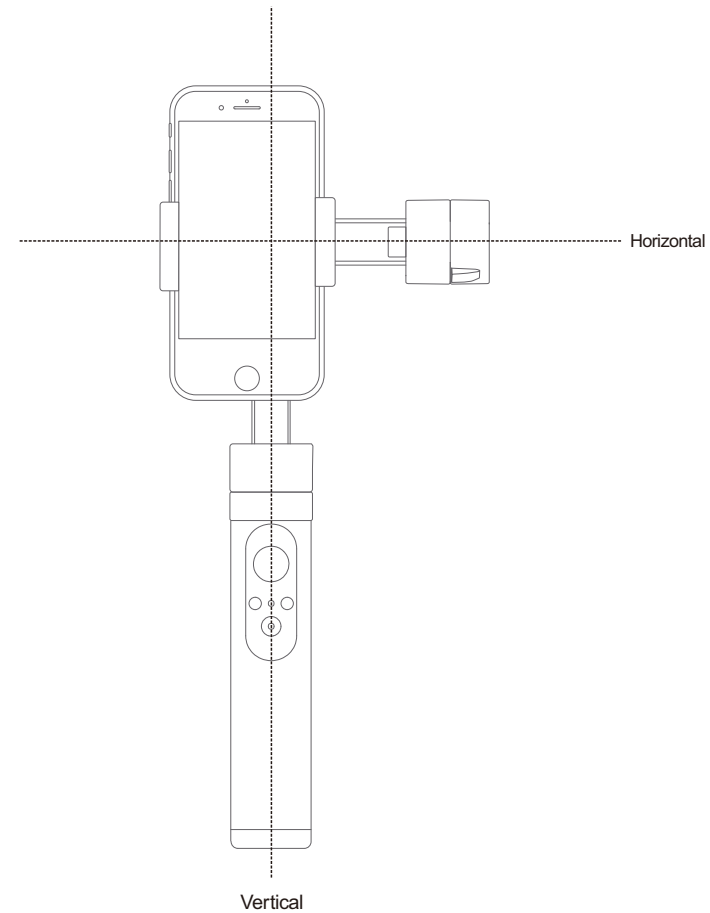
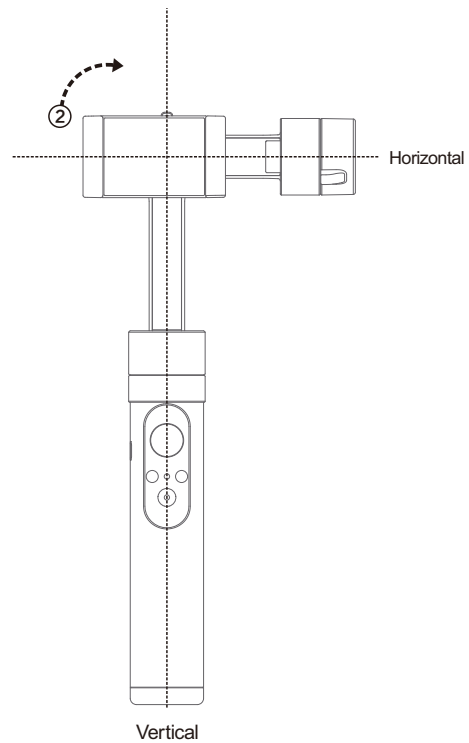
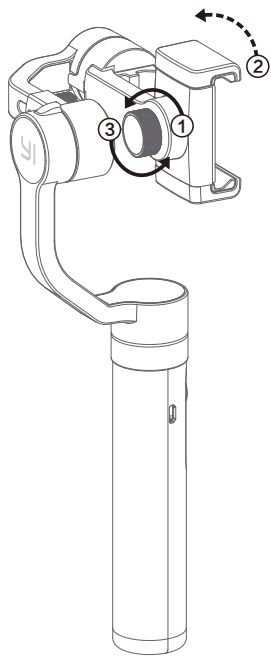
If the gravity center is not properly configured, the gimbal will enter self-protection mode and need to be readjusted and restarted.

### 5) Mount Smartphone vertically

1. Loosen the Holder Lock knob and rotate the Smartphone holder 90 degrees.
2. Place your phone inside the containing bracket and adjust the vertical position of the phone is centered.
3. Adjust roll axis balance by loosening the Balance Adjustment knob.

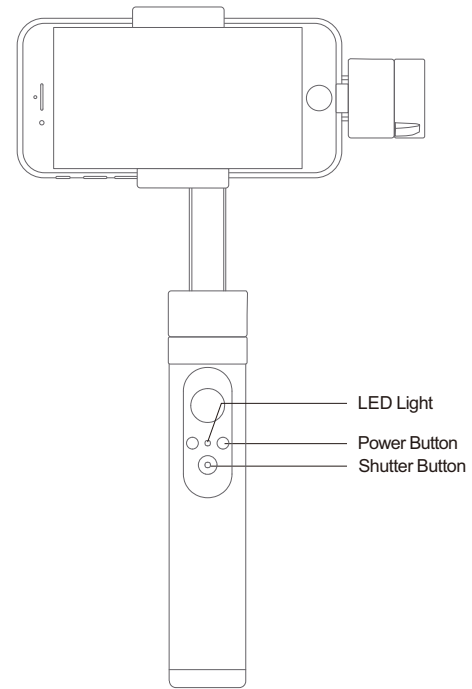
The roll axis is balanced if the smart phone remains level when released.

**Tips:** Please operate the above steps with Gimbal off.



### 6) Power on and off

Press and hold the power button for 3 seconds to turn on/off the gimbal.



### 7) Control the gimbal

Switch in between modes.

Green light	Pan Mode	Tilt and roll locked, pan axis follows the movement of the gimbal
Red light	Lock Mode	All axis are locked
Blue light	Pan and Tilt Mode	Roll axis locked, tilt and pan axis follow the movement of the gimbal

#### Switching modes:

Single press the Mode Button:

Pan Mode → Lock Mode → Pan and Tilt Mode → Pan Mode

#### Notes:

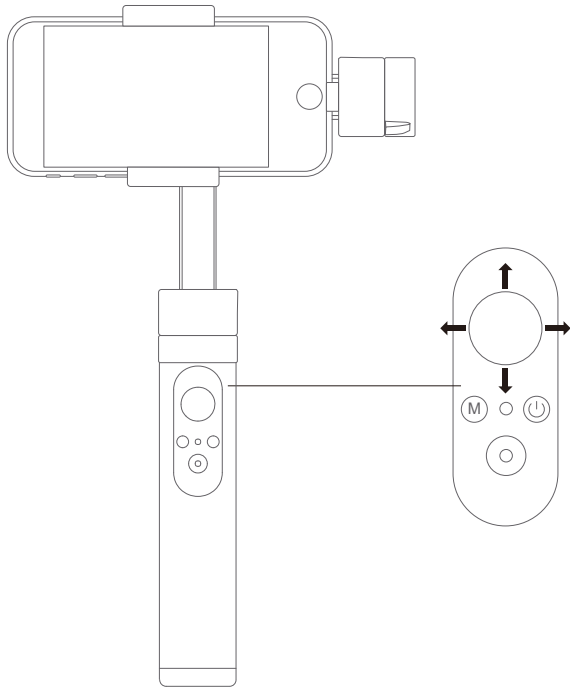
1. Pan mode is the default mode;
2. In Pan Mode and Lock Mode, long press the Mode Button to reset the angle;

Tips: To get the most smooth and stable video, hold the gimbal as stable as possible. Keep an even and smooth pace while walking and moving.

Spot Shooting: to shoot a fixed object, adjust the angle to the preferred position, then switch to Lock Mode to fix the gimbal's tilt and pan axis so that spot shooting can be done properly.

**Joystick:**

1. Pan and Tilt mode: Left/Right
2. Lock mode: ALL
3. Pan mode: Up/Down



**8) Indicator**

Indicator Status	Modes/Status
Slow flash	Low battery/charging
Fast flash	Battery is extremely low/Severe error
Constant on	Working
Blue and green light flash alternatively	Gimbal in calibration

### 9) Specifications:

Item	YI Action Gimbal	Remarks
Input voltage	6.0V~8.4V	Two 18350 batteries(built-in), each 850mAh
Boot time	3 seconds	
Tilt axis mechanical movement range	320°	
Roll axis mechanical movement range	320°	Vertical
Pan axis mechanical movement range	360°	Vertical
Tilt axis following rate	3°/s ~ 70°/s	
Pan axis following rate	5°/s ~ 120°/s	
Gimbal dimension	296mm*121mm*52mm	
Gimbal weight	420g	
Smartphone Width Range	54 ~ 86 mm	
Operating temperature	0 ~ 45°C	
Battery life	6 ~ 8 hours	Actual battery life is dependent on usage and battery capacity.

## 3. Connecting to the YI Gimbal APP

### 1) Download

Scan the following QR code to download YI Gimbal App and install to your smartphone. Or, you can find the App in the App Store® or Google Play by searching for 'Yi Gimbal'.



### 2) APP Connecting

Turn on the Gimbal and your smartphone's Bluetooth, open 'YI Gimbal' App, press 'device connection', choose the Bluetooth of your Gimbal after Bluetooth device No. pop-up on the Interface, start connection.

**Tips:** Please note that YI Smartphone Gimbal Bluetooth device No. starts with 'YI-SG'.

## 4. Calibration

Gimbal calibration may be required in the following circumstances:

1. The tilt and roll angle is horizontal.
2. Under the lock mode, the panning angle drifts.

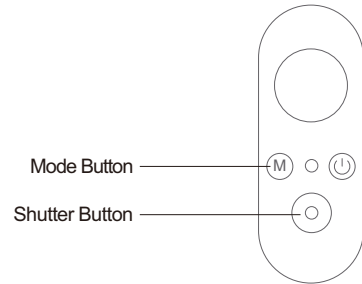
Do not connect with USB cable when calibrating.

### Offline Calibration

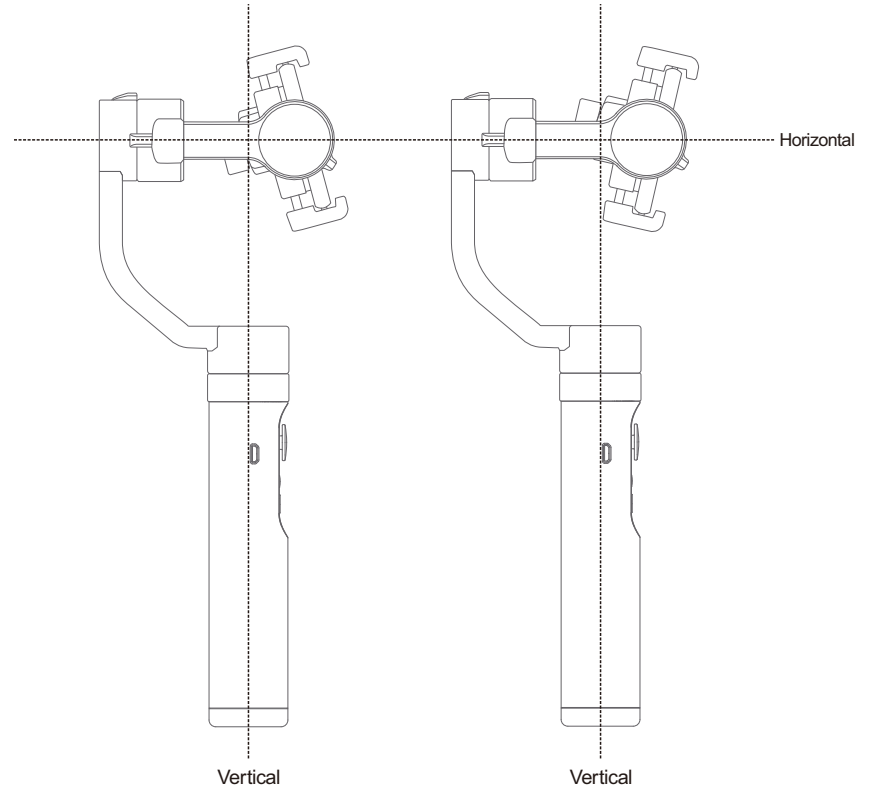
Turn on the gimbal, keep gimbal vertical and steady then press and hold Mode and Shutter Button at the same time, for 2 seconds to enter calibration mode, Or, Press "Settings" → "Calibration" in App. Then the gimbal will automatically complete calibration.

**Accelerator calibration:** the indicator will flash blue and green alternately, after it's complete, the blue indicator will remain on for 3 seconds.

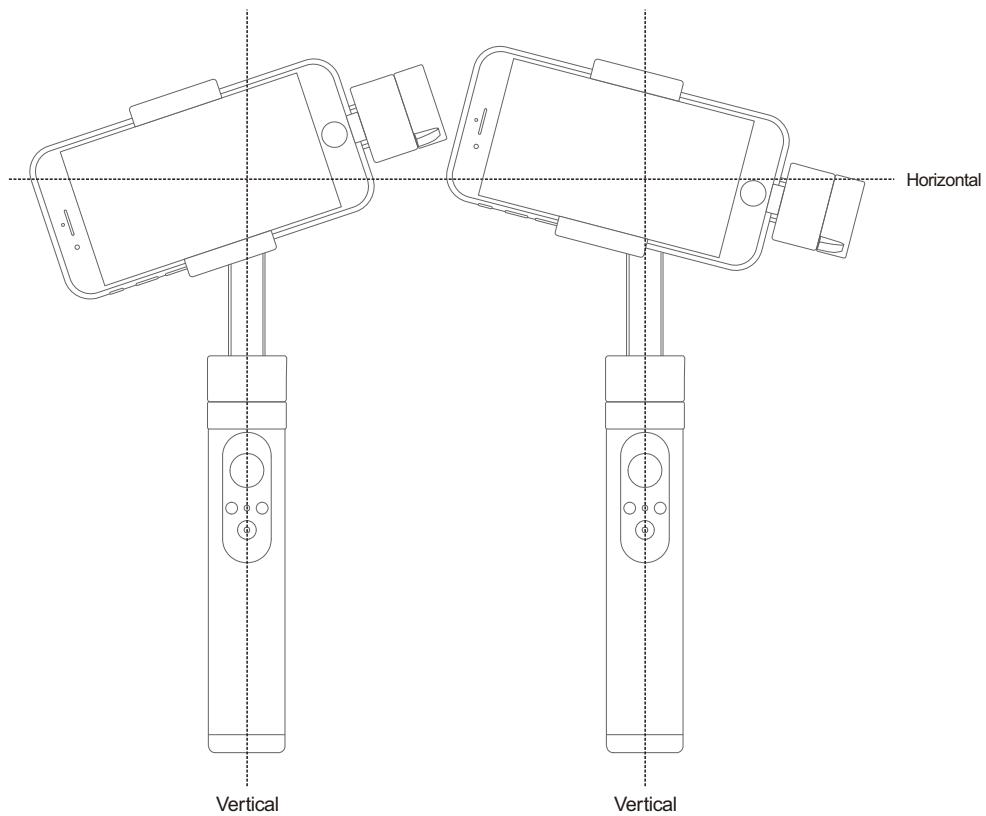
**Gyroscope calibration:** the indicator will flash blue and green alternately, after it's complete, the blue indicator will remain on for 5 seconds and enter Pan Mode.



### Offline Calibration



### Offline Calibration



## 5. Firmware update

The app will automatically detect and prompt you to upgrade if there is a latest version. Please upgrade firmware in time, to maintain a perfect user experience of your YI Smartphone Gimbal. Make sure your device is fully charged before upgrading the firmware.



## Warning and Disclaimer

1. Please follow the user manual for installation and usage.
2. Please install the phone securely before powering on the gimbal.
3. Please charge the battery with the provided battery charger.
4. Please keep the battery away from fire and heat.
5. Any illegal use of this product is forbidden. Users are responsible for using this product in accordance with the instructions provided in both online and manual. YI Technology is not responsible for any damage caused while using this product.
6. YI Technology reserves the right to refuse service for products obtained from unofficial channels or used for unknown purposes.
7. Please contact our technical service engineers should you encounter any issues. Please note YI Technology is not responsible for improper use of the products and not reasonable, subjective judgment made by users.
8. YI Technology reserves the rights to modify the product, specifications, and manual without prior notice.

"Xiaoyi" and "YI" logo are trademarks of Shanghai Xiaoyi Technology Co., Ltd.

**WARNING: No naked flame sources – such as candles – should be placed on the product.**

Please visit <https://help.yitechnology.com> to get technical support.



FCC ID: 2AFIB-YGS1817