



# Standard LED bulbs

## LEDBulb 9-60W E27 6500K W A19 3PK/4

Standard LED bulbs are compatible with existing fixtures with a E27 holder and are designed for retrofit replacement of incandescent, halogen and energy saving bulbs. They deliver huge energy savings and minimize maintenance costs. The Standard LED bulb is the perfect bulb for your basic lighting needs. It provides the beautiful light and performance you expect from the LED technology at an affordable price.

### Product data

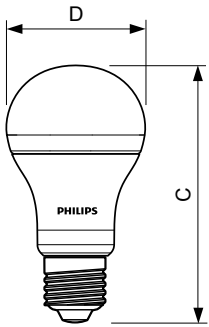
General Information	
Cap-Base	E27 [ E27]
Nominal Lifetime (Nom)	25000 h
Switching Cycle	50000X
Technical Type	9-60W
Light Technical	
Color Code	865 [ CCT of 6500K]
Beam Angle (Nom)	150 °
Luminous Flux (Nom)	806 lm
Luminous Flux (Rated) (Nom)	806 lm
Color Designation	Cool Daylight
Correlated Color Temperature (Nom)	6500 K
Luminous Efficacy (Rated) (Nom)	89.56 lm/W
Color Consistency	ANSI
Color Rendering Index (Nom)	80
LLMF At End Of Nominal Lifetime (Nom)	70 %
Operating and Electrical	
Input Frequency	50 to 60 Hz
Power (Rated) (Nom)	9 W
Lamp Current (Max)	95 mA

Lamp Current (Min)	40 mA
Wattage Equivalent	60 W
Starting Time (Nom)	0.5 s
Warm Up Time to 60% Light (Nom)	0.5 s
Power Factor (Nom)	0.92
Voltage (Nom)	100-240 V
Temperature	
T-Case Maximum (Nom)	80 °C
Controls and Dimming	
Dimmable	No
Mechanical and Housing	
Bulb Finish	Frosted
Product Data	
Full product code	871869665794200
Order product name	LEDBulb 9-60W E27 6500K W A19 3PK/4
EAN/UPC - Product	8718696657959
Order code	929001195499
Numerator - Quantity Per Pack	1

## Standard LED bulbs

Numerator - Packs per outer box	4
Material Nr. (12NC)	929001195499
Net Weight (Piece)	0.018 kg

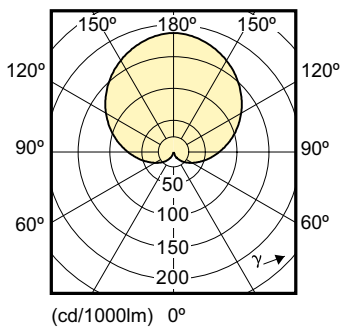
### Dimensional drawing



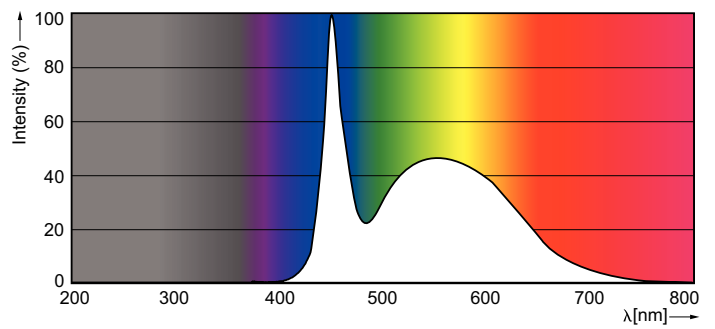
LED 9-60W E27 6500K 100-240V A60 ND

Product	D	C
LEDBulb 9-60W E27 6500K W A19 3PK/4	60 mm	110 mm

### Photometric data



A60/ A67 E27 FR



E27 A60, A67 /865

