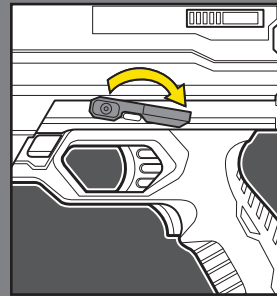
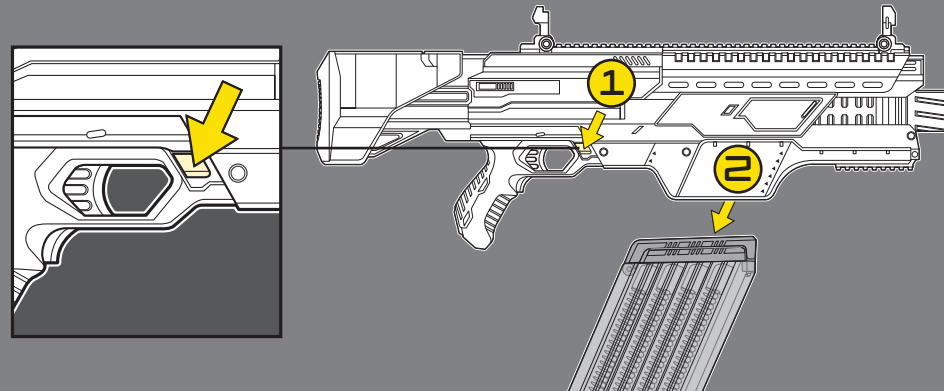


TRIGGER LOCK



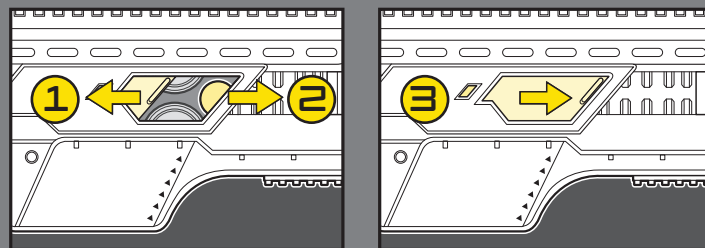
PRESS DOWN TRIGGER LOCK LEVER TO LOCK TRIGGER. ALWAYS PUT THE TRIGGER LOCK IN LOCKED POSITION WHEN BLASTER IS NOT IN USE AND WHEN STORING BLASTER.

TO REMOVE MAGAZINE



WHEN MAGAZINE IS EMPTY, PRESS RELEASE BUTTON AND PULL MAGAZINE OUT OF BLASTER.
NOTE: BLASTER WILL NOT FIRE IF THE MAGAZINE IS NOT LOADED INTO THE BLASTER.

CLEARING A JAM



MAKE SURE TRIGGER IS LOCKED. REMOVE THE MAGAZINE.
1. SLIDE THE DOOR OPEN.
2. REMOVE JAMMED ROUNDS.
3. CLOSE DOOR. DOOR IS FULLY CLOSED WHEN YOU SEE THE ORANGE INDICATOR.
NOTE: MOTOR WON'T FUNCTION AND BLASTER WON'T FIRE IF DOOR IS OPEN.

Product and colors may vary. Retain this information for future reference.
YouTube and the YouTube logo are trademarks of Google Inc.
© 2015 Hasbro, Pawtucket, RI 02861-1059 USA. All Rights Reserved.
TM & © denote U.S. Trademarks. EC Reg. Des. App.
US/CANADA TEL. 1-800-255-5516.

B3858 Asst. PN 7610340000

Visit us online at



and watch us on



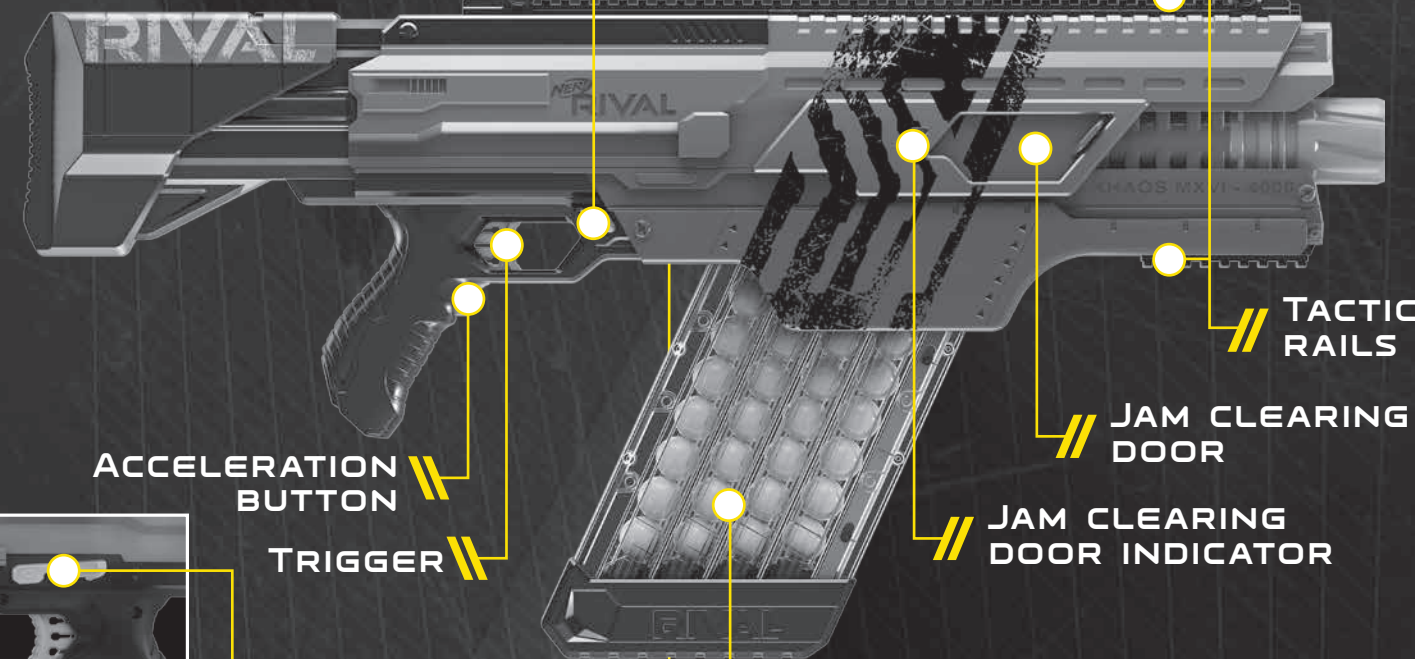
AGES 14+

NERF
RIVAL
PRECISION BATTLING

KHAOS MXVI-4000™

FLIP-UP SIGHTS //

AMBIDEXTROUS
MAGAZINE RELEASE //



TACTICAL
RAILS //

JAM CLEARING
DOOR //

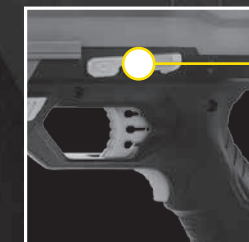
JAM CLEARING
DOOR INDICATOR //

ACCELERATION
BUTTON //

TRIGGER //

TRIGGER
LOCK //

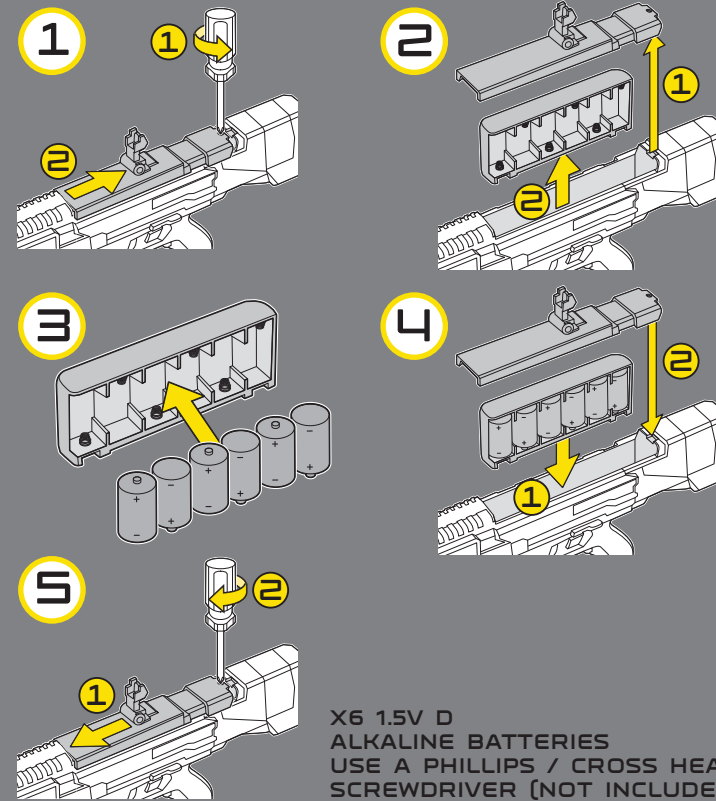
MAGAZINE
LOCK //



For use with Nerf Rival products only.



INSERT BATTERIES



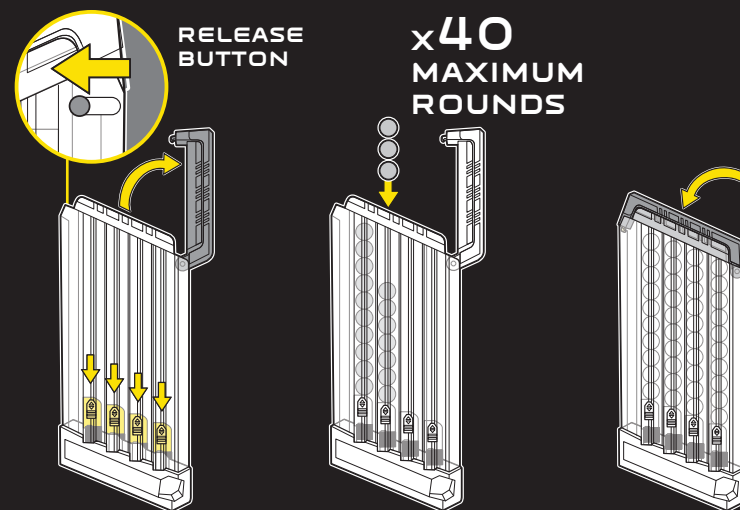
X6 1.5V D
ALKALINE BATTERIES
USE A PHILLIPS / CROSS HEAD
SCREWDRIVER (NOT INCLUDED).

IMPORTANT: BATTERY INFORMATION

⚠ CAUTION:

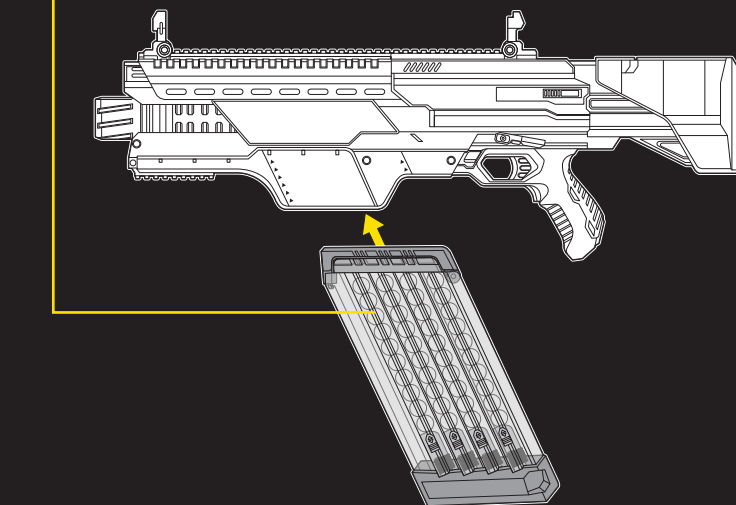
1. TO AVOID BATTERY LEAKAGE
 - a. Always follow the instructions carefully. Use only batteries specified and be sure to insert them correctly by matching the + and - polarity markings.
 - b. Do not mix old batteries and new batteries or standard (carbon-zinc) with alkaline batteries.
 - c. Remove exhausted or dead batteries from the product.
 - d. Remove batteries if product is not to be played with for a long time.
 - e. Do not short-circuit the supply terminals.
 - f. RECHARGEABLE BATTERIES: Do not mix these with any other types of batteries. Always remove from the product before recharging. Recharge batteries under adult supervision. DO NOT RECHARGE OTHER TYPES OF BATTERIES.
2. Should this product cause, or be affected by, local electrical interference, move it away from other electrical equipment. Reset (switching off and back on again or removing and re-inserting batteries) if necessary.

LOAD



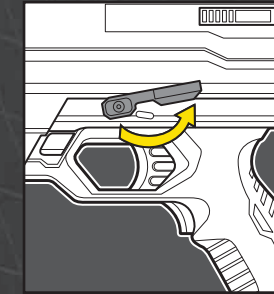
- 1 SLIDE LEVERS ALL THE WAY DOWN UNTIL THEY LOCK IN PLACE. SLIDE MAGAZINE RELEASE BUTTON TO OPEN COVER. LIFT COVER. INSERT ROUNDS. CLOSE COVER.

NOTE: TO LOAD MAGAZINE, START BY FULLY LOADING THE FRONT CHAMBER. THEN, WORK TOWARD THE REAR CHAMBER.

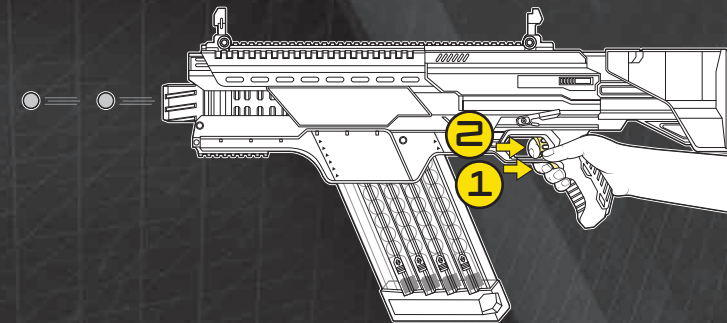


- 2 INSERT MAGAZINE INTO BLASTER.

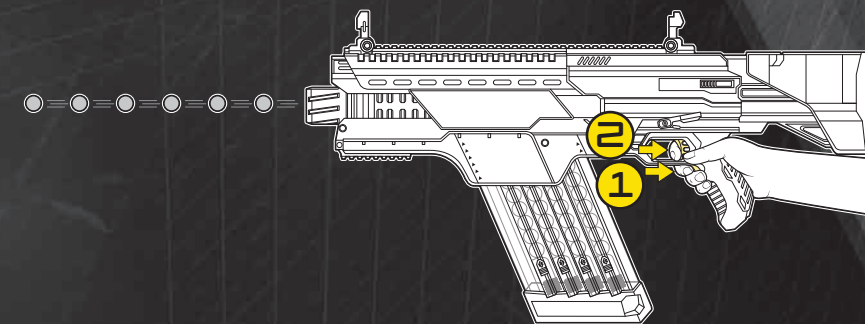
FIRE



- 1 PRESS UP TRIGGER LOCK LEVER TO UNLOCK TRIGGER.



- 2 BURST-FIRE:
HOLD ACCELERATION BUTTON AND PULL AND RELEASE TRIGGER TO BURST-FIRE SEVERAL ROUNDS PER PULL OF THE TRIGGER.



- 3 RAPID-FIRE:
HOLD ACCELERATION BUTTON AND TRIGGER DOWN TO FIRE ALL 40 ROUNDS RAPIDLY.
NOTE: ACCELERATION BUTTON MUST BE HELD DOWN TO FIRE THE BLASTER.