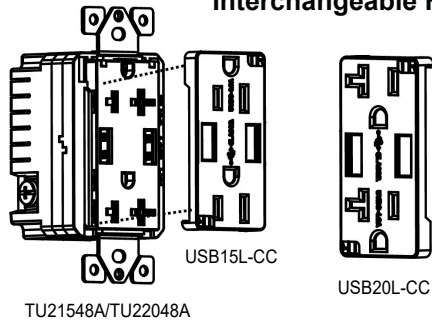


TU21548A/TU22048A

Ultra High Speed Dual USB Charger with 15/20A Duplex Tamper Resistant Receptacle Interchangeable Face Cover



SPECIFICATION

Receptacle Rating	15/20 Amps, 125VAC
USB Rating	Two USB ports with total 4.8 Amps, 5VDC
Wire Terminals	#14-#12AWG
Operating Temperature	-4° to 140°F (-20° to 60°C)
USB Compatibility	USB 1.1/2.0/3.0 devices, including Apple products
Strip Length	0.5 inch (Back Wiring), 1 inch (side wiring)
Receptacle Dimension3-3/4" x 2-1/4" x 3-3/16"

FEATURES

- Industry's first Dual USB High Speed Charger at 4.8 Amp, 5VDC
- Charge most compatible electronic device directly without an adapter
- Tamper-Resistant Shutters provide compliance with 2011 NEC Code
- Replace a standard duplex receptacle
- Back and side wire for easy installation
- Interchangeable Color Face Cover
- UL listed

DESCRIPTION

TOPGREENER TU21548A/TU22048A, is the Industry's first 4.8A, 5VDC, Our High Speed USB ports deliver the most advance charging needs of each device simultaneously and optimizes the current by a smart chip to reduce charging time. Our High Speed USB chargers give you the ability to charge virtually any device without the use of bulky adapters that can be lost or misplaced, while continuing to power traditional electronics, i.e. lamp or television in the same receptacle. interchangeable face dual USB charger with tamper resistant receptacle.

APPLICATION

- | | |
|----------------|----------------|
| ▪ Cafeteria | ▪ Labs |
| ▪ Office | ▪ Salon |
| ▪ Kitchen | ▪ Hotel |
| ▪ Bedroom | ▪ School |
| ▪ Restaurant | ▪ Library |
| ▪ Meeting Room | ▪ Work Station |
| ▪ Living Room | ▪ Airport |

SAFETY WARNING: Read and understand these instructions before installation. This device is intended for installation in accordance with the National Electrical Code and local regulations. It is recommended that a qualified electrician perform this installation. Make sure to turn off the circuit breaker or fuse(s) and test that the power is off before wiring the device.

Wiring Diagram:

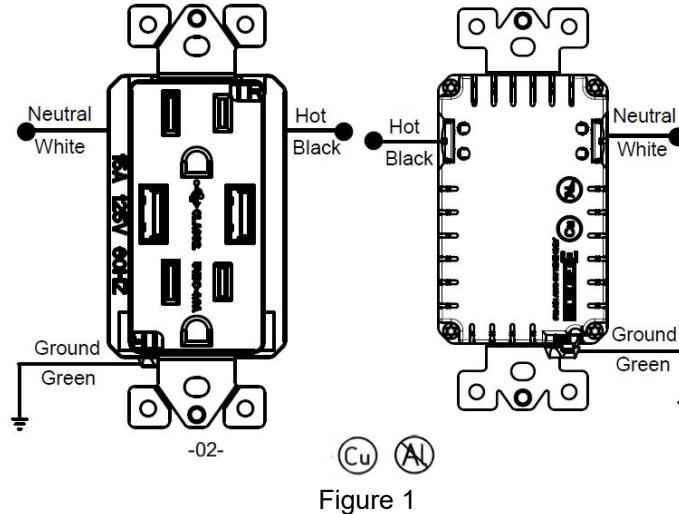


Figure 1

INSTALLATION

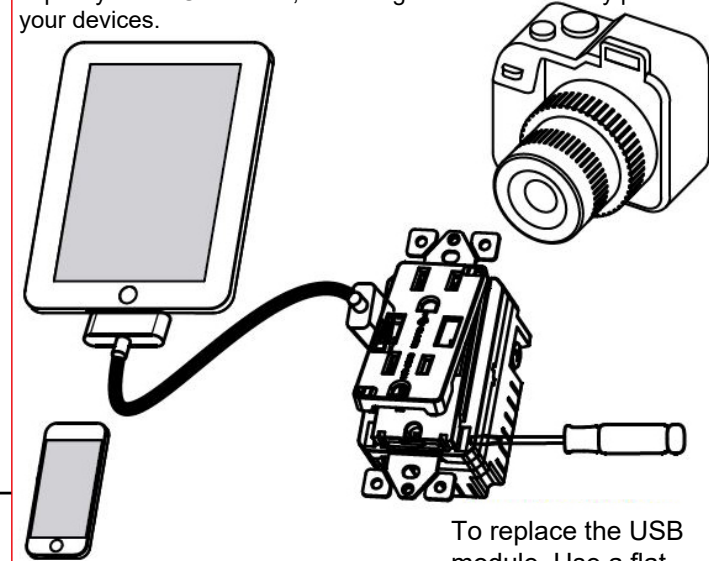
1. For retrofit applications, remove wall plate and mounting screws.
2. Carefully remove existing receptacle from the junction box.
3. Disconnect wires from the old receptacle.
4. Connect TU21548A/TU22048A per Wiring Diagram (Figure 1).
5. Insert straight wires to each appropriate terminal and tighten screws firmly. Neutral to silver screw and Hot to brass screw.
6. Mount the TU21548A/TU22048A in the junction box with screws provided and mount wall plate.
7. Restore power at circuit breaker.

COMPATIBILITY

The Ultra High Speed Dual USB Charger/Tamper-Resistant Receptacle compatible with a wide range of electronic devices including, but not limited to the following:

- | | |
|------------------------------|---------------------------------|
| ❖ iPad® | ❖ iPhone® |
| ❖ iPad® Mini | ❖ iPod® |
| ❖ Tablets | ❖ GPS |
| ❖ Mobile Phones | ❖ Galaxy Tab™ |
| ❖ Blackberry, Android Phones | ❖ Bluetooth™ Headsets |
| ❖ Windows Phone by HTC | ❖ Digital Cameras |
| ❖ Kindle™, Nook e-reader | ❖ Other USB compatible products |

If the devices combined power requirements exceed the power capacity of the USB Ports, the charger will automatically protect your devices.



Charge Most USB Powered Devices

To replace the USB module, Use a flat screwdriver to pry-off the interchangeable face cover

Figure 2

WARRANTY

TOPGREENER offers 2 years warranty on this product to be free of defects in material and workmanship. This warranty is void if this product is installed improperly or in an improper environment, overloaded, misused, or altered in any manner. TOPGREENER is not liable for consequential damages arising out of, or in connection with the use or performance of this product or other indirect damages with respect to loss of property, revenue or profit or cost of removal, installation or re-installation.