



Infrared Quartz Fireplace Heater User Guide

IVAIFFP1500



Thank you for purchasing the Ivation Infrared Quartz Fireplace Heater. This User Guide is intended to provide you with guidelines to ensure that operation of this product is safe and does not pose risk to the user. Any use that does not conform to the guidelines described in this User Guide may void the limited warranty.

Please read all the directions before using the product and retain this guide for reference. This product is intended for household use only.

This product is covered by a limited one year warranty. Coverage is subject to limits and exclusions. See warranty for details.

The Ivation Infrared Quartz Fireplace heater combines economical space heating with the cozy ambience of a real fireplace. Handsomely designed and easy to operate, the heater features a realistic flame effect, but without the fire, smoke, fuel, or cleanup.

Package Contents:

Infrared quartz fireplace heater

Remote control unit

User guide

IMPORTANT SAFETY INSTRUCTIONS



POTENTIAL ELECTRICAL HAZARD. When using electrical appliances like this heater basic precautions should always be followed in order to reduce the risk of fire, electrical shock, and injury. The precautions include:

- Heater must be plugged into a 120 volt, 15 amp (or more) outlet. Do not plug anything else into the same outlet. Consult a certified electrician to confirm if your home meets this specification prior to use. **Risk of fire, overheating, property damage, or even death may result if this precaution is not followed.**
- Connect heater to a properly grounded, three-prong outlet. Do not use extension cords, surge protectors, timers, direct breakers, or an outlet being used by another appliance. **Risk of fire, overheating, property damage, or even death may result if this precaution is not followed.**
- To avoid burns, do not let bare skin touch the heater's surface when in use.
- To properly move heater, when in use, use handles or wheels. Note: Not all models have handles.
- Keep combustible and flammable materials at least three feet from the front of the heater. Materials include: furniture, pillows, bedding, papers, clothes, and curtains. Keep items like these away from the sides and rear of the heater.
- Allow at least three feet of unobstructed space around the front and rear of the heater to allow for maximum heat, air, and ventilation flow.
- Extreme caution is necessary when heater is in use in the presence of children, pets, or handicapped individuals. This same caution should be used when the heater is left operating unattended.
- Always unplug heater when not it is not in use.
- Do not use the heater if the cord or plug is damaged in any manner, or if the heater malfunctions, has been dropped, or is damaged in any manner.
- To disconnect the heater, turn power button to the OFF position first, then remove the plug from the outlet.
- Make sure all ventilation and exhaust openings are free of foreign objects in order to prevent electrical shock, fire, or damage to the heater.
- Do not use heater in areas where gasoline, paint, or flammable liquids are stored or used.
- Do not use flammable or abrasive solvents to clean heater.
- Keep heater dry at all times.
- Use heater only as described in this manual. Any other use is not recommended by the manufacturer as it may cause fire, electrical shock, or personal injury.

Tip-Over Safety Feature

This heater is equipped with a tip-over safety feature. If the heater is tipped over, an internal switch will automatically shut the heater off. Once the heater is restored to an upright position, the heater will reset. To start the heater once it's reset, push the power button on the remote control or heater's control panel.

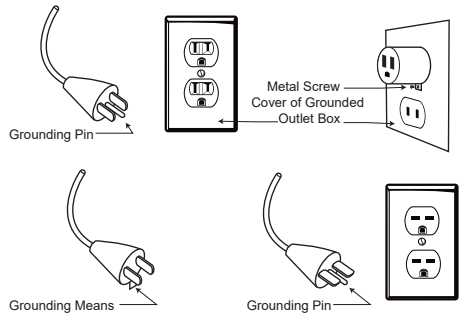
Overheat Safety Feature

This heater is equipped with an overheat safety feature. When the internal components of the heater reach a certain temperature that could potentially cause overheating or a possible fire, the heater will automatically shut off.

⚠ WARNING: This heater has a voltage rating of 120 volts. The cord has a three-prong grounded plug. An adapter is available for connecting three-prong grounded plugs to two-prong outlets. The grounded plug extending from the adapter must be connected to a properly grounded outlet. The adapter should not be used if a three-prong outlet is available.

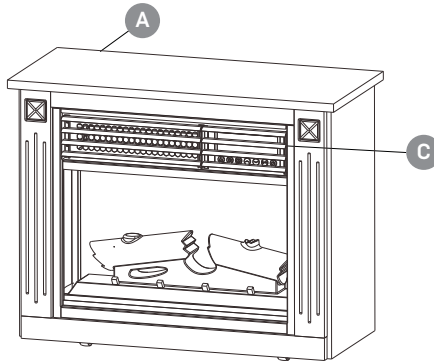
DO NOT DEFEAT THE SAFETY PURPOSE OF THE GROUNDED PLUG.

⚠ WARNING: It is normal for the power cord to feel warm to the touch. However, a loose fit between the outlet and the plug may cause the plug to overheat. If this occurs, try inserting the plug into a different outlet. Contact a qualified electrician to inspect the original outlet for damage.

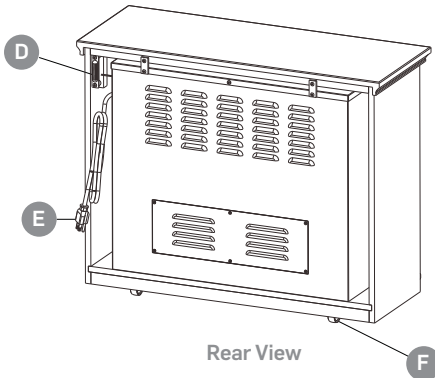


Parts

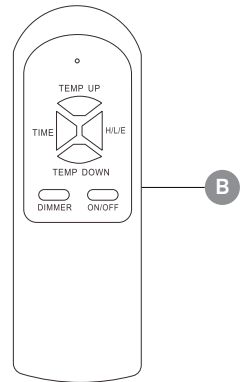
- A Infrared Heater
- B Remote Control
- C Control Panel
- D Temperature Sensor
- E 3-prong Power Cord
- F Casters (4)



Front View



Rear View



Preparation:

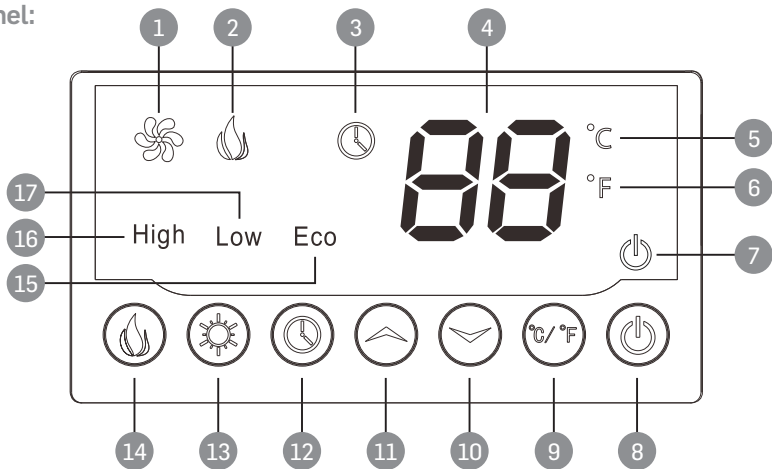
- Place the heater on a firm, level surface and plug into a grounded 120V, 60Hz power outlet.
- Only operate heater when it is in an upright position.
- Insert two AAA batteries into the remote control before using. Batteries are not included.

To add or replace the batteries, remove the battery cover from the remote. Do this by pushing down on the arrow on the top of the battery cover and sliding it away from the remote. Insert two AAA batteries (not included) and close the remote by sliding the battery covering back on to the remote.

Note: Do not mix old and new batteries. Do not mix alkaline, standard (carbon-zinc), or rechargeable (NiCad, Ni-MH, etc.) batteries.

Please note that infrared heaters do not heat or blow hot air like a traditional space heater. Infrared heaters are intended to supplement an already-heated, insulated room. Square footage specifications assume a single enclosed room, not an entire home. Infrared heaters do not heat through walls or floors, and are not intended to replace a main heat source. Infrared heat can take at least 24 hours to warm a room, but they operate more efficiently to maintain the desired temperature. Infrared heaters will not work well in uninsulated, unheated spaces like screened-in porches, RV's, garages, unheated basements, etc.

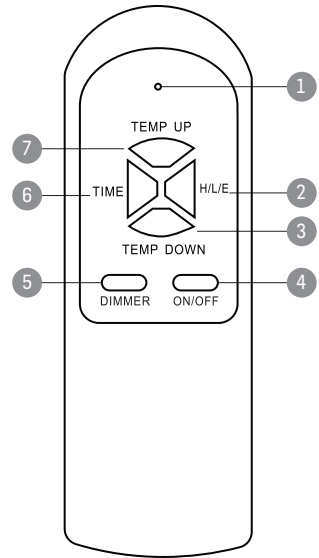
Control Panel:



- | | |
|--|---|
| 1 Fan Indicator Light
Indicates when the Fan is active | 10 Temp-Down Button
Decreases the set temperature |
| 2 Flame Effect Indicator Light
Indicates when the Flame effect is on | 11 Temp-Up Button
Increases the set temperature |
| 3 Timer Indicator
Indicates when the timer function is active | 12 Timer Button
Engages the on/off timer function |
| 4 Digital Display
Readout of the set room temperature or timer value | 13 Heater Mode Button
Toggles between Hi / Low / Eco Modes |
| 5 Celsius Indicator Light
Indicates that the temperature is being displayed in Celsius | 14 Flame Effect Button
Toggles the Flame Effect ON / OFF |
| 6 Fahrenheit Indicator Light
Indicates that the temperature is being displayed in Fahrenheit | 15 Energy Saver Indicator
Indicates when energy-saving mode is on |
| 7 Power Indicator Light
Indicates when the unit is receiving power from the wall outlet | 16 High Heat Indicator
Indicates when High Heat mode is on |
| 8 Power Switch Button
Powers the heater ON or OFF | 17 Low Heat Indicator
Indicates when Low Heat mode is on |
| 9 C/F Button
Toggles between celsius and fahrenheit | |

Remote Control:

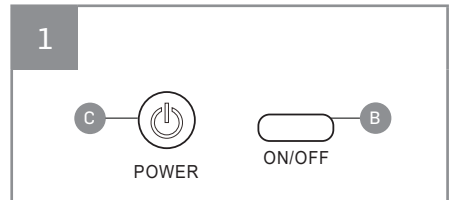
- 1 LED Indicator Light**
Illuminates when any button is pressed on the remote control
- 2 Heater Mode Button**
Toggles between the three heat modes available
- 3 Temp Down Button**
Decreases the set temperature value
- 4 ON/OFF Button**
Powers the heater ON/OFF
- 5 Dimmer Button**
Toggles between three available flame effect brightness modes
- 6 Time**
Engages the ON / OFF Timer
- 7 Temp Up Button**
Increases the set temperature value



Operating Instructions:

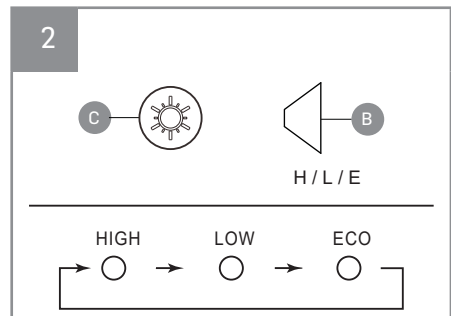
1. Turn the heater on or off by pressing the POWER button on the control panel (Figure C) or by pressing the ON/OFF button on the remote control (Figure B).

Note: Once the power is off, the internal heating elements will stop working first. The fan will continue working for up to 90 seconds to deliver residual heat from inside the heater. This is a normal function.



2. Select a heat setting by pressing the MODE button on either the control panel (Figure C) or the remote control (Figure B) to toggle between the three heat settings.

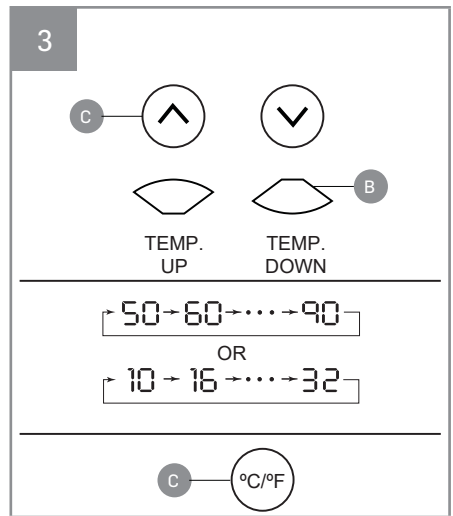
Power for HIGH mode is 1,500W while the power for LOW mode is 1000W. ECO mode is an Economic Energy Saving Function. When ECO mode is chosen, the heater will operate to maintain a constant temperature of 68° Fahrenheit.



3. Set the heater's thermostat by pressing the arrows on the control panel (Figure C) or the TEMP UP or TEMP DOWN buttons on the remote control (Figure B).

You can set the temperature anywhere between 50° F and 90° F (10° C and 32° C). Once you have chosen the desired temperature, the heater will remain on until the room temperature increases to the temperature on the heater's digital display. The heater will cycle on and off to maintain the desired room temperature.

Press the C°/F° button on the control panel (Figure C) to switch the digital display indicator on the heater between Fahrenheit and Celsius.

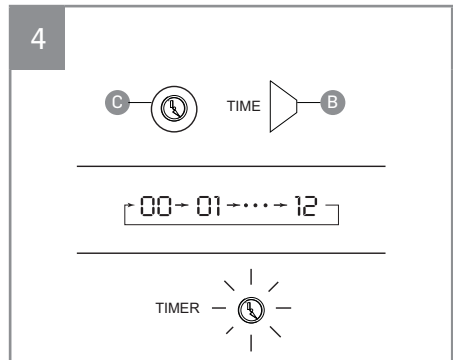


4. To set the timer-power-off-mode, start the unit and press the TIMER button on either the control panel (Figure C) or remote control (Figure B).

Note: The timer-power-off-mode can only be set when the heater is on.

The digital display on the control panel (Figure C) changes from the temperature to a time value for the timer. Press the TIMER button repeatedly to change the number value between 0 and 12 hours (in one hour intervals).

The Timer light turns on when the timer is set.

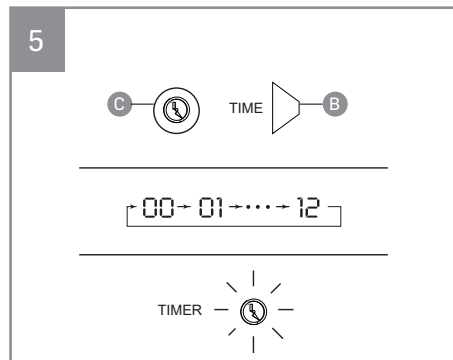


5. To set the timer-power-on-mode, while powering off the unit, press the TIMER button on the panel (Figure C).

Note: The timer-power-on mode can only be set when the heater's power is off.

The digital display on the control panel (Figure C) changes from the set temperature readout to a time value for the timer. Press the TIMER button repeatedly to change the number value between 0 and 12 hours (in one hour intervals).

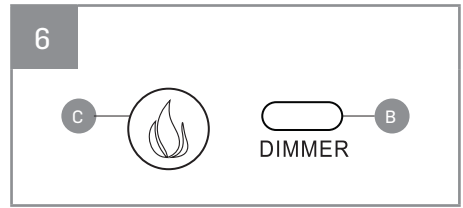
The Timer light turns on when the timer is set.



6. To turn on or adjust the flame effect brightness settings, press the FLAME EFFECT BUTTON on the control panel (Figure C) or the DIMMER Button on the remote control (Figure B).

Note: The flame effect function can be set when the heater is in either on or off mode.

The heater will cycle between "high," "medium," "low," and "off" brightness levels.



Care and Maintenance:

⚠ WARNING: Before performing any maintenance on the heater, unplug it from the outlet, and allow it to cool completely.

- Use a soft, damp cloth to clean the exterior of the heater. Use a mild detergent if necessary.
- After cleaning, dry the heater with a soft, dry cloth.

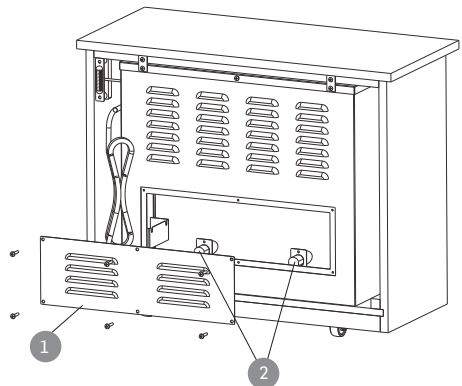
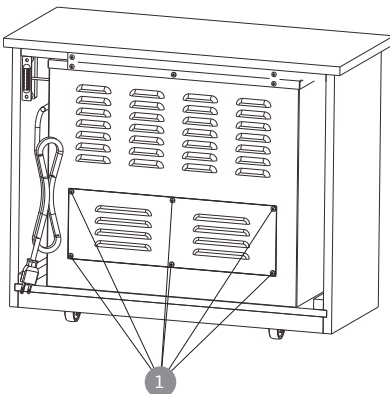
CAUTION: DO NOT LET LIQUID ENTER THE HEATER

- DO NOT use alcohol, gasoline, abrasive powders, furniture polish, any flammable liquids, or rough brushes to clean the heater.
- DO NOT immerse heater in water.
- Wait until the heater is completely dry before use.
- If you will not be using the heater for an extended period of time, take the batteries out of the remote control, and store for future use.
- Store the heater in a cool, dry location. To prevent dust and dirt build-up, use the original packaging to store the heater.

Replacing the Flame Effect Bulb

- Requirements: Two 40W E12 bulbs.
- To replace the flame effect bulbs (Figure 2) make sure the heater is unplugged.
- Take off the access panel (Figure 1) by removing the six screws holding the panel in place.
- Remove and replace the two light bulbs (Figure 2) by unscrewing each bulb slowly from its socket base.
- Reassemble and reinstall the access panel (Figure 1).

⚠ WARNING: Do not replace light bulbs during or immediately after use.



Frequently Asked Questions

Q. My heater emits a strange odor when I first open the box, and when I turn it on for the first time. Why is this happening?

- A. This is normal. The heater is treated with a special heat safe/resistant coating. This odor can be present when the box is opened. When the coating is exposed to heat during the first few hours of operation there will be an odor. This odor will dissipate after the break-in period. If you are sensitive to odors, you may want to first run the heater in a garage or other area of your home with the doors open, and away from flammable materials, until the initial odor goes away.

Q. If my heater runs on approximately 1,500 watts, how many BTUs is that? Is that a lot of heat?

- A. At 1,500 watts your heater will produce approximately 5,100 BTUs. The Ivation Infrared Quartz Fireplace Heater is intended to be used as a supplemental source of heat. It may take several minutes to several hours to heat the area in which you're using it, depending on various factors.

Q. Once I plug the heater in and turn it on, how long will it take to heat my room?

- A. The heating process begins immediately when the power is turned on, and the desired temperature is set above the room's current temperature. A noticeable change in room temperature will vary due to variables such as: the location of the heater in the room, the floor plan and size of the room, how well the room is insulated, how many doors/windows are in the room, how much bare concrete is there, the opening and closing of an exterior door, long hallways, high ceilings, etc. Smaller rooms experience quicker heat changes. Rooms with larger and open floor plans can take up to 24 hours to completely heat up.

Q. I do not have a grounded outlet. Can I use a two-prong power strip, or remove the ground prong from the cord?

- A. NO. If you do not have a grounded outlet, contact a certified electrician for advice. Removing or altering any part of the heater's original design (including the power cord) will void the warranty, and make you liable for any unexpected or hazardous results.

Q. The temperature on my heater does not match the temperature display on my thermostat. Why?

- A. This is completely normal. The heater's temperature sensor reads the temperature directly around the heater. With the heater near the cold floor, any readings on an elevated or external thermostat will differ from the reading on the heater. The best way to operate your heater is to set the unit on HIGH and dial up to a temperature that feels comfortable. Then, leave it at that temperature, regardless of whether it matches the temperature on your thermostat. The heater will cycle off when the set temperature is met or exceeded slightly.

Q. Can I use more than one heater at a time? Can I use the heater and another appliance at the same time?

- A. Yes, but make sure they are not plugged into the same outlet. Each heater requires its own 15-amp outlet. No other items can be plugged into that outlet. This is because heaters are considered appliances, and draw high amperage. If you are unsure whether your outlet meets these requirements, please consult a qualified electrician.

 **WARNING:**Risk of fire, damage to property, or injury may result if requirements are not met.

Q. Why does my heater's fan continue to run after the set temperature is reached or the power has been turned off?

- A. This is normal. The fan will continue to run even after the heater automatically cycles down. The fan continues to run so that every last bit of heat is blown out of the heater chamber, while allowing the heater to continue to filter your air. Once the internal box/components cool completely, the fan will shut off on its own. In this case, allow a few minutes after the heat cycles off (with the power on). The fan will shut off faster when the power is turned off.

Q. My heater's display shows my room temperature to be in the 20s when I know it is warmer than that. Why?

- A. You probably have the setting to read your temperature in Celsius rather than Fahrenheit. Press the C°/F° button on the control panel to switch to Fahrenheit.

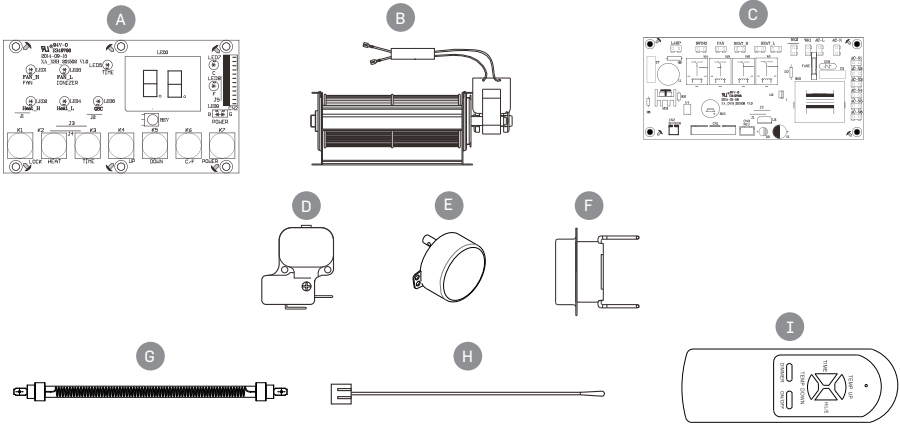
Q. My heater's power cord gets warm. My cord is showing signs of heat or melting at the outlet. Is this normal?

- A. A warm power cord is normal. These power cords are rated for up to 221°F/105°C by the UL, CSA or ETL. The exception is if you detect heat, smoke, or signs of melting at the contact point on the wall outlet. If any of these conditions occur, please stop using the heater immediately. Contact a qualified electrician to replace the wall outlet as soon as possible.

TROUBLESHOOTING:

Problem	Possible cause	Corrective action
The heater does not turn on.	<ol style="list-style-type: none">1. The power cord is not plugged in.2. The electricity at the main fuse box is not working.3. The battery in the remote control is dead.4. The thermostat on the heater is set lower than the room temperature.5. Power switch in back is not in the ON position.	<ol style="list-style-type: none">1. Plug the power cord into an electrical outlet.2. Check the electricity at the main fuse box.3. Replace the batteries in the remote control.4. Increase the thermostat temperature on the heater for a higher heat setting.
The heater displays an error code "E1"	<ol style="list-style-type: none">1. The heater has overheated.2. Insufficient power to the unit3. Insufficient air flow to the heater.	<ol style="list-style-type: none">1. Unplug the heater from the wall, wait a few seconds then plug the power cord back in.2. Make sure the unit is plugged into a dedicated 3-prong outlet, with no extension cords or surge protectors.3. Move the unit at least 3ft from the wall.
The heater displays an error code "E2"	<ol style="list-style-type: none">1. Temperature sensor not functioning properly.	<ol style="list-style-type: none">1. Please contact technical support.

Replacement Parts List



Part	Description	Part #
A	Control panel	COPA-F2015
B	Fan	FAN6048
C	Power board	POBO-F2015
D	Tip-over switch	TIPSW
E	Spindle Motor S	MOTOR
F	Manual Thermostat	LIMITSW
G	Infrared tube	QUAR-R3
H	Thermostat Wire	SENSOR
I	Remote control	REMO-F

Specifications:

Heater: 3-element infrared quartz

Heat settings: High / Low / ECO (maintains a constant 68°)

Voltage: 120V, 60Hz

Power consumption: 1000W / 1500W

BTU rating: 5,100 (Max.)

Thermostat setting: Variable 50°F – 90°F (10°C – 32°C)

Timer: Up to 12 hrs. in 1 hr. increments

Brightness adjustment: 3 levels

Remote control power source: 2 AAA batteries, not included

Safety device: Tip-over and overheat protection automatic shutoff

Dimensions: 23.6" x 10.6" x 19.2"

Weight: 36.3 lbs.

Customer Service

info@myivation.com

866-849-3049

info@myivation.com

Made in China
Ivation is a trademark of
C&A IP Holdings, LLC
©2016 All rights reserved

Distributed by
C&A Marketing
114 Tived Lane East
Edison, NJ 08837 USA

Europe: C&A Marketing UK LTD
167 Hermitage Road
Crusader Industrial Estate
London N4 1LZ
United Kingdom