



Digital & Instant Combo Camera



User Guide

Introduction	1
When you purchase your camera.....	1
Camera overview	2
Loading Batteries	4
Taking photos.....	4
Installing the software.....	5
Minimum system requirements	5
Transferring photos to your computer	6
Troubleshooting.....	8
FCC Notice	9
Camera Precautions	10
Battery Handling	11
Contacting Polaroid	11
Internet support	12
Limited warranty information.....	12
Introducción	13
Al adquirir la cámara	13
Componentes de la cámara	14
Instalación de las pilas.....	16
Toma de fotos	16
Instalación del software	18
Requisitos mínimos del sistema	18
Cómo transferir las fotos a la computadora	18
Aviso FCC	22
Precauciones con la cámara	23
Manejo de las pilas.....	24
Cómo contactar a Polaroid.....	24
Soporte por Internet	25
Información de garantía	25

Introduction	27
À l'achat de l'appareil.....	27
Aperçu de l'appareil.....	28
Chargement des piles.....	30
Prise de photos	30
Installation du logiciel.....	32
Exigences minimales du système	32
Transfert des photos à l'ordinateur	32
Avis du FCC	36
Précautions relatives à l'appareil photo	37
Manipulation des piles	38
Communication avec Polaroid.....	39
Soutien Internet.....	39
Renseignements sur la garantie.....	39



Introduction

Now you can have twice as much fun with your new Polaroid I-Zone Digital & Instant Combo Camera. With this two-in-one camera you can:

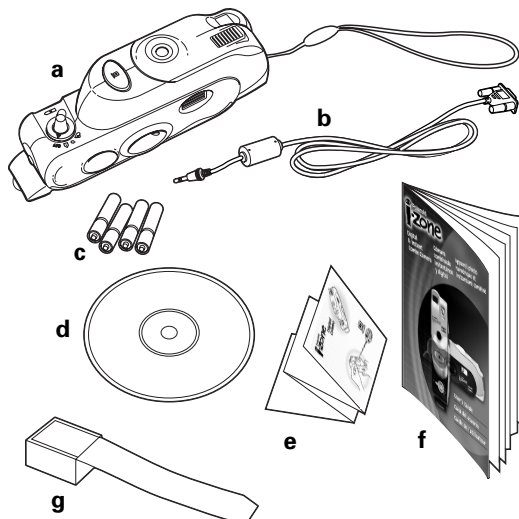
- Take digital photos that are stored in the camera until you download to a computer.
- Take instant mini photos that you can share.

This guide covers camera features, software installation, and how to take photos and transfer them to your computer.

When you purchase your camera

Your camera comes with everything you see here:

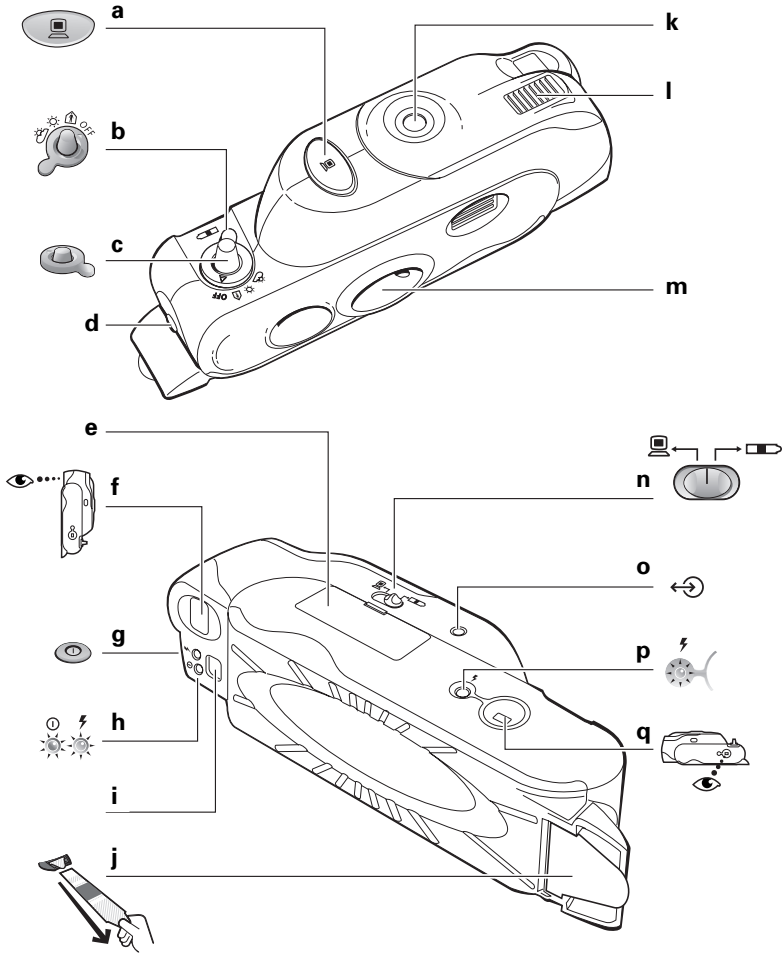
- a** Polaroid I-Zone Digital & Instant Combo Camera
- b** Serial cable
- c** 4 AAA batteries
- d** Arcsoft PhotoImpression software CD-ROM
- e** Quickstart card
- f** User's Guide
- g** Polaroid I-Zone film



Camera overview

The Polaroid I-Zone Digital & Instant Combo Camera has separate digital and instant components.

- a** Digital shutter button
- b** Instant exposure setting
- c** Instant shutter button
- d** Film door button
- e** Battery door
- f** Digital viewfinder
- g** Digital power button
- h** Digital indicator lights
- i.** Digital counter
- j** Film tab
- k** Digital lens
- l** Digital flash
- m** Instant lens
- n** Mode switch
- o** Serial cable port
- p** Instant flash ready light
- q** Instant viewfinder

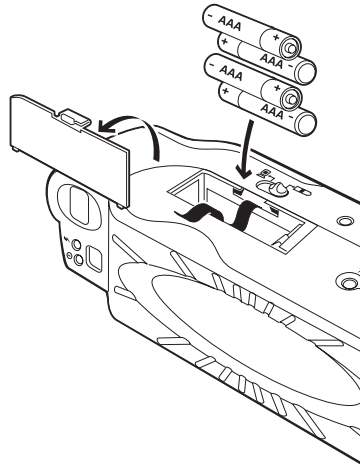


Loading Batteries

Four AAA batteries power the camera. In digital mode, when the camera battery power is low, the LCD displays **bl** and the camera flash will not charge.

Lay the battery ribbon in the battery container before inserting batteries.

Use only AAA alkaline batteries with the camera. Never mix old batteries with new batteries, or use different types of batteries together.



Taking photos

With this camera you can take digital or instant photos. The mode switch provides power to the appropriate mode.

To take digital photos



1 Slide the **Mode** switch to the digital setting.



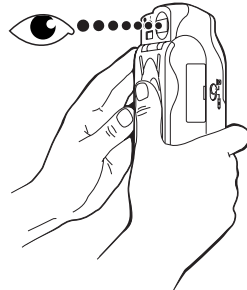
2 Press the digital power switch.



3 The green power light is on. The amber light indicates that the flash is charged and you can take a photo.



When you press the digital shutter button, hold the camera steady until you hear the beep indicating the photo has been taken.



When the camera memory is full, the LCD displays **FL**. Using the software that comes with the camera you can transfer the photos to your computer and clear the camera memory.

Taking instant photos

To take instant photos:

Note: For instructions on loading film, see the Quick Reference Card.

Caution: This film uses a caustic paste. Avoid contact with skin, eyes and mouth with the paste. **If skin, eyes, or mouth contact occurs with the paste, wipe it immediately, wash with water to avoid an alkali burn and consult a physician.** Do not cut or take apart pictures or battery. Do not burn battery or allow metal to touch its terminals. Keep discarded materials, and paste away from children, animals, clothing, or furniture.



1 Slide the **Mode** switch to the instant setting.



2 Turn the Instant selector switch to turn the camera power on and to set the camera exposure to one of the following:

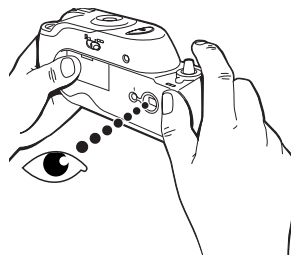
Select setting	In these conditions
	Indoors, 2 to 8 feet (60 cm to 2.4 m) from subject.
	Outdoors, sunny, 2 feet (60 cm) or farther from subject.
	Outdoors, cloudy, 2 feet (60 cm) or farther from subject.



3 Wait for the flash ready light.



4 Press the shutter button to take the picture.



Installing the software

Minimum system requirements

- PC with Pentium class processor

- Microsoft Windows 95, Windows 98
- 16 MB RAM
- 70 MB available hard drive space
- CD-ROM drive
- Serial port
- 16-bit or 24-bit display
- Mouse

To install the software:

- Insert the software CD in your CD-ROM drive. The Windows automatic installation procedure should start. Follow the instructions on the screen.

Note: If the installation does not start, from the Windows Start menu, select **Run**,

Type **D:\Setup.exe** at the prompt (**D:** is the letter of your CD-ROM drive). Click **OK** and follow the instructions on the screen.

Online help

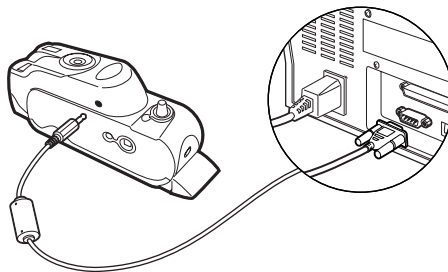
When the software is installed, see the online help for help using the product.

Transferring photos to your computer

Once you have installed the Arcsoft PhotoImpression software, you can transfer photos to your computer.

To connect the camera to the computer:

- 1 Connect the serial cable to the camera and to the serial port on your computer.



- 2 Turn on the digital camera.



- 3 Start the software: Click the **Start** menu, select **Programs** then open the **Polaroid I-Zone** folder, select Arcsoft PhotoImpression.

PhotoImpression starts.



- 4 Click **Get Photo**.

- 5 Select **Camera/Scanner** and select Polaroid I-Zone at the bottom of the screen (a).



- 6 Click **Acquire**.



The Polaroid I-Zone Camera dialog box is displayed. The image numbers are displayed.

Note: If a “Camera not found” message displays, turn off the computer and the camera and make sure the serial cable is firmly connected. Then turn on the camera and turn on the computer.



7 To view thumbnail images of the photos in the camera, press the **Refresh Thumbnails** button.

8 To select all the photos in the camera, click **Click Select All** or click on an individual photo to select it.



9 Click **Get Photos** to download the selected photos.

Caution: Clicking **Delete All Photos** will delete all photos in the camera.

Troubleshooting

Problem	Possible solutions
Computer does not see the camera. (Digital mode)	<ul style="list-style-type: none">• Ensure that the Mode switch is set to digital and the camera power is turned on.• Make sure the serial cable is firmly connected to the camera and to the computer.• Turn off the computer and all peripherals and connect the camera. Turn on the camera. Turn on the computer.• Your serial port may have a conflict. Another software application or hardware device may be using your COMM port settings. Turn off these other software and hardware devices when the digital camera is connected to your computer.• Your computer may have an internal BIOS conflict. See the documentation that came with your computer.

Problem	Possible solutions
Camera has no power.	<ul style="list-style-type: none"> • In digital mode, press the digital power button. The digital camera may have automatically turned off to save battery power. • Make sure that the battery terminals are correctly oriented in the battery compartment. • Replace all four AAA batteries. Do not mix old batteries with new batteries, or use different manufacturer's batteries together.
Cannot take a photo. (Digital mode)	<ul style="list-style-type: none"> • The flash is charging. Wait until the flash indicator is lighted and then take photo. • The digital camera is processing an image. Wait until both the green and amber indicators are lighted before taking another photo. • The camera's internal memory is full. Transfer the photos to your computer and delete the photos from the camera memory.
Cannot take a photo. (Instant mode)	<ul style="list-style-type: none"> • Make sure the exposure is set. • Wait until the flash indicator is lighted.
The flash doesn't work or takes a long time to charge.	<ul style="list-style-type: none"> • Replace all four AAA batteries. Do not mix old batteries with new batteries, or use different manufacturer's batteries together.
My photo looks blurry.	<ul style="list-style-type: none"> • The subject of your photo moved while the photo was being taken. Remember to have your subjects remain still while a photo is being taken.

FCC Notice

WARNING: Changes or modifications to this unit not expressly approved by the party responsible for compliance

could void the user's authority to operate the equipment.

Note: This equipment has been tested and found to comply with the limits for a Class B digital device, pursuant to Part 15 of the FCC rules. These limits are designed to provide reasonable protection against harmful interference when the equipment is operated in a residential installation. This equipment generates, uses, and can radiate radio frequency energy and, if not installed and used in accordance with the instruction manual, may cause harmful interference to radio communications. However, there is no guarantee that interference will not occur in a particular installation. If this equipment does cause harmful interference to radio of television reception, which can be determined by turning the equipment off and on, the user is encouraged to try to correct the interference by one or more of the following measures:

- Reorient or relocate the receiving antenna.
- Increase the separation between the equipment and receiver.
- Connect the equipment into an outlet on a circuit different from that to which the receiver is connected.

Consult the dealer or an experienced radio TV technician for help.

Camera Precautions

Observe the following precautions when you use this Polaroid camera:

- Do not open the camera case or attempt your own repairs. High-voltage internal components create the risk of electrical shock when exposed. Return your camera to an authorized Polaroid service provider for all maintenance and repairs.
- Keep the camera away from water and other liquids. Moisture creates the danger of fire and electrical shock. Do not use the camera in the rain, at the seashore, or any location where there is the possibility of exposure to liquids.
- Turn the camera power off and remove the batteries immediately if camera is exposed to water or other liquids.

Using the camera under these conditions creates the danger of electrical shock or fire.

- Do not open the battery compartment while the digital camera is processing an image. In this situation, the new image cannot be stored and may cause corruption of other stored photos.
- For ages 15 and above.

Warning: Use under adult supervision. Not intended for children under 3 years of age.

Battery Handling

Follow these guidelines:

- Use only AAA alkaline batteries with the camera. Never mix old batteries with new batteries, or use different types of batteries together.
- Do not expose batteries to direct heat or dispose of them by burning. Dispose of batteries according to local laws and regulations.
- Remove batteries from the camera if you are not going to use the camera for an extended period of time.
- Remove dead batteries from the camera. Dead batteries are susceptible to leakage, and may cause significant damage to your camera.

Caution: Camera damage caused by misuse of batteries is not covered under the terms of the 6 month Limited Warranty.

Contacting Polaroid

You can call Polaroid toll-free within the U.S.A. at 1-800-343-5000, 7 days a week, 8 A.M. to 8 P.M. Eastern Standard Time. When calling with a technical question, ask for an Electronic Imaging or a Digital Imaging Specialist.

Please identify the Polaroid product and its serial number (if applicable). If possible, have your system running the software when you call.

We offer a variety of Customer Support Services. Call us for details and applicable fees.

Outside the U.S.A., contact the Polaroid office nearest you.

Internet support

Technical support is available via the Internet. Visit our Web site at: izone.polaroid.com

Limited warranty information

In the U.S. and Canada: 6 month limited warranty

In Mexico: 1 year limited warranty

Polaroid will, at our option, repair or replace any camera unit found defective in manufacture within the warranty period. The warranty period is determined by the date of purchase. Keep the receipt as proof of purchase. Otherwise, the warranty period is determined by the date of manufacture. **This warranty does not apply to damage caused by accident, misuse or tampering, and excludes all consequential damages except in jurisdictions not allowing such exclusions or limitations.**

For warranty service information: To obtain warranty service, please call Polaroid at our toll-free number (1-800-343-5000 in the USA, 01-800-70727-77 in México or 1-800-268-6970 Canada).

Caution

This camera unit is battery operated. Supervise children when camera is operated by them or used in their presence. To avoid electrical shock, do not expose to or immerse in water or other fluids, disassemble, or operate if dropped or damaged. Contact a Polaroid Service Center for repair information.

©2000 Polaroid Corporation, Cambridge, MA 02139, U.S.A., owner of the trademarks "Polaroid" and "Polaroid I-Zone (and Design)". All other product names may be the property of their respective owners. All rights reserved.