

INSTRUCTION MANUAL

LED Night Light
With 8 Colors Changeable

KALMIRIS

Instruction Manual

1. How does the Nightlight work?

Plug the Nightlight in the power socket.
Switch the button ① to the Left or Right.
The headlight will turn on in the darkness.

2. How do I set up the lighting color between Warm White/Carousel Color Mode?

There is a switch on the bottom ②.
Put the switch on the Left position.
The lighting color is Warm White.
Switch it on the Right. The lighting color will be in Carousel Color Mode.

3. How do I fix the color?

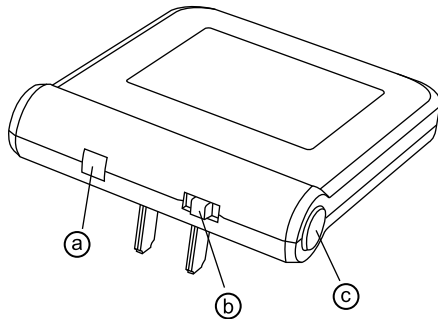
When the Nightlight is in a Carousel Color Mode press and release the side button ③ to fix the color.

4. How does it turn off?

When the Nightlight plugged in it will turn off automatically at sunrise. Or you can put the bottom switch ② to the Middle Position. It will turn off manually.

Smart calibration function

Each time you plug in your Kalmiris LED Night Light into the socket it automatically starts calibration test: you will see changing colors between Red, Green, Blue and Warm White in a sequence. This test checks working condition of your Kalmiris LED Night Light and ensures it's unproblematic performance.



① – light sensor

② – Warm White Mode – Left position

OFF – Middle position

Carousel Color Mode – Right position

③ – fixing color button

