



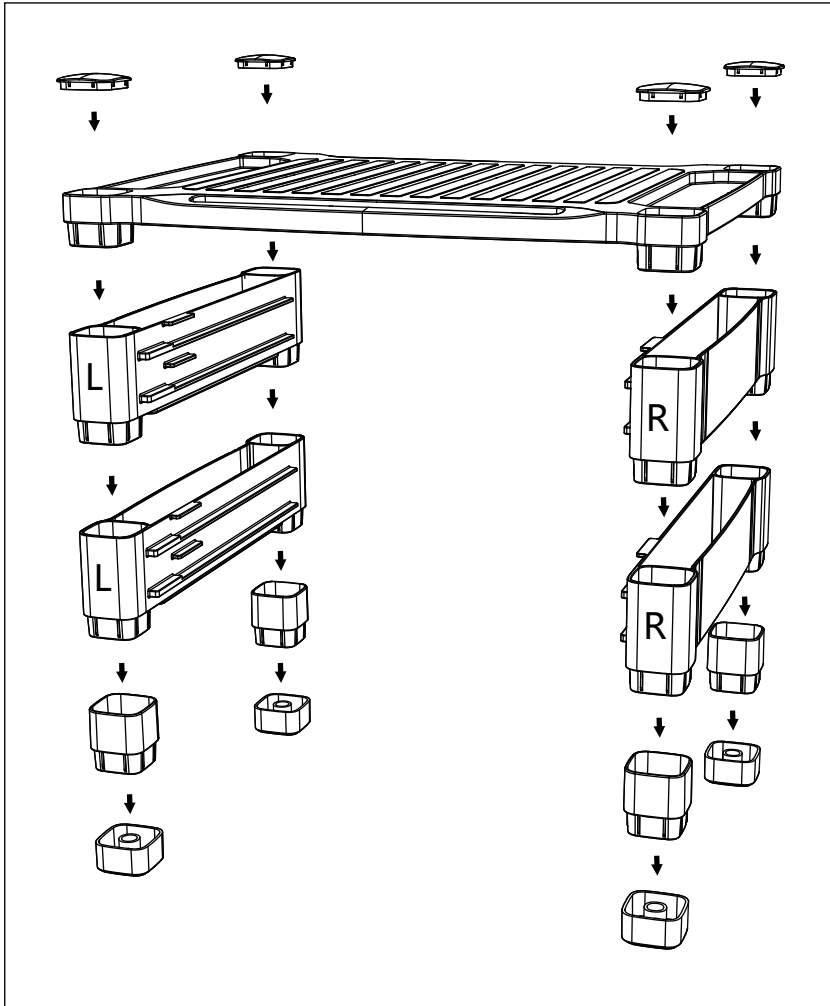
HUANUO

V1.0

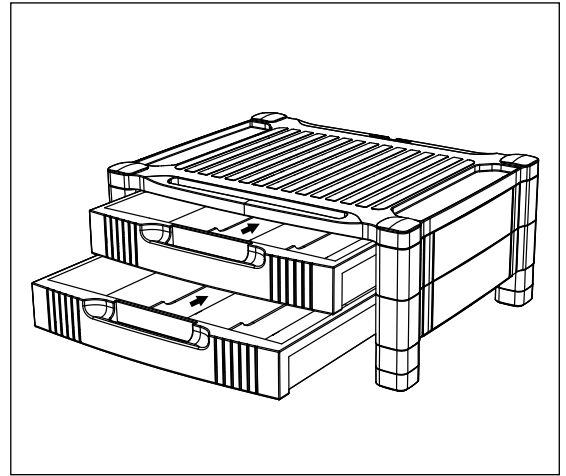
INSTRUCTIONS

MODEL:HNLA3

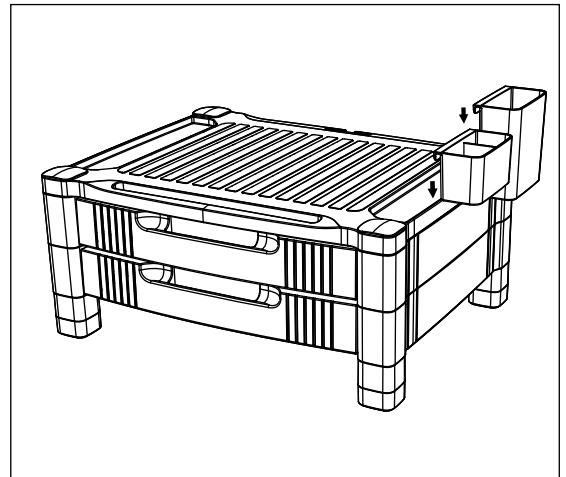
STEP1



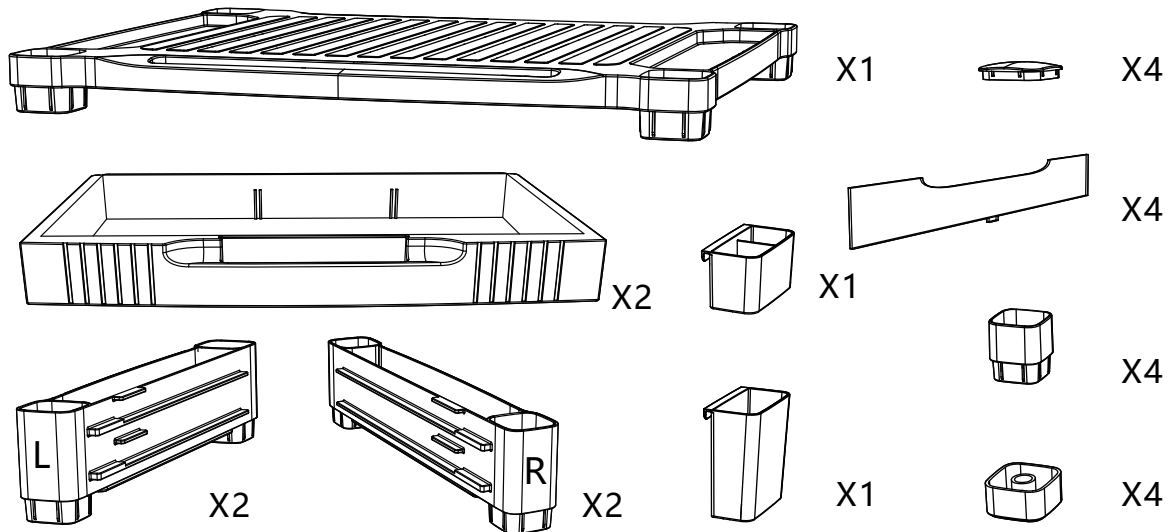
STEP2



STEP3



ACCESSORIES LIST



Thank you for choosing our product! We strive to provide the best quality and services for our customers. Would you kindly share your experience on Amazon if you are satisfied? Should you have any issues, please don't hesitate to contact us.

Telephone: 800-556-0533 Mon-Fri 10am - 6pm (PST) (USA) (CAN)

Email: support@huanuoav.com (US/CA/DE/UK/FR/IT/ES/JP/AU)