

# MC4 Assembly Tool Manual



**RENOGY**

2775 E. Philadelphia St., Ontario CA 91761  
1-800-330-8678

## Table of Contents

<b>Important Safety Instructions</b> .....	3
<b>General Information</b> .....	3
<b>Identification of Parts</b> .....	4
<b>Operation</b> .....	4
Unplugging MC4 Connections.....	4
Assembling/Disassembling MC4 Connectors .....	5
<b>Technical Specifications</b> .....	8

## Important Safety Instructions

Please save these instructions.

This manual contains important safety, installation, and operating instructions for the unit. The following symbols are used throughout the manual to indicate potentially dangerous conditions or important safety information.

**⚠ WARNING:** Indicates a potentially dangerous condition. Use extreme caution when performing this task.

**CAUTION:** Indicates a critical procedure for safe and proper operation of the controller

**NOTE:** Indicates a procedure or function that is important to the safe and proper operation of the controller.

### **General Safety Information**

- Read all instructions and cautions in the manual before using the tool.
- Do NOT attempt to disassemble MC4 connections with alternative tools. Doing so may damage the connections and/or the connectors.
- If using MC4 connectors not supplied by Renogy, this tool may not work for those connectors.

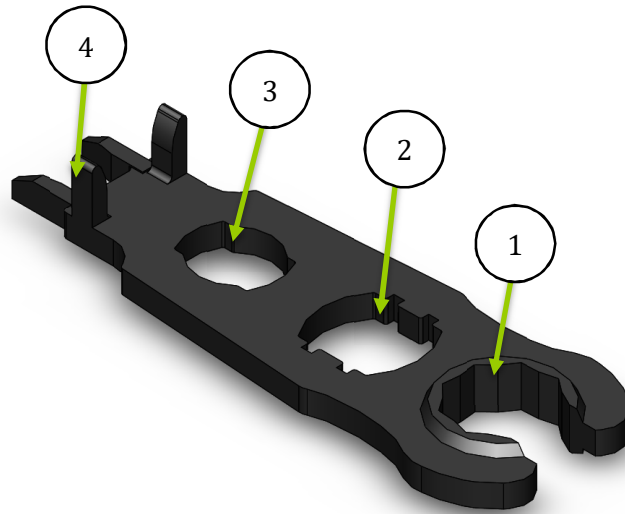
## General Information

The Renogy MC4 Assembly Tool is designed to make the assembly and disassembly of MC4 connections quick and easy. This tool can assist in the connections/disconnection of the MC4 connectors from one another or assist in the addition/removal of another MC4 connectors from a bare wire. This unit is made of a hard plastic material that is strong enough to provide sufficient leverage for operation, while simultaneously preventing fracture or marring of MC4 connector and its surfaces.

### **Key Features**

- Hard plastic
- Easy assembly and disassembly of MC4 connectors
- Quick disconnect for existing MC4 connections

## Identification of Parts



### Key Parts

---

1. Gripping Base of MC4
2. Insert for larger MC4 connectors
3. Insert for MC4 connector nose
4. Pins to Unplug MC4 Connections

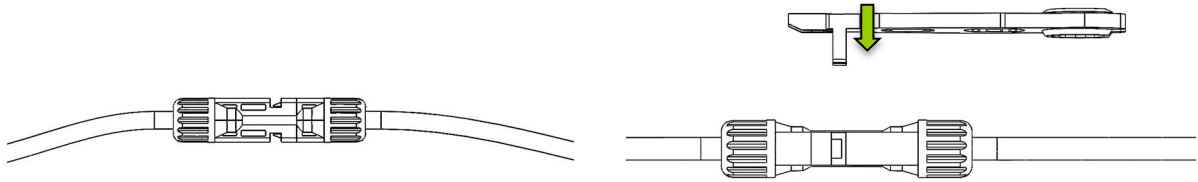
## Operation

**NOTE:** If the user needs to unplug MC4 cables, then only **ONE** MC4 assembly tool is needed. Otherwise, **TWO** MC4 tools are required for assembly/disassembly of connectors.

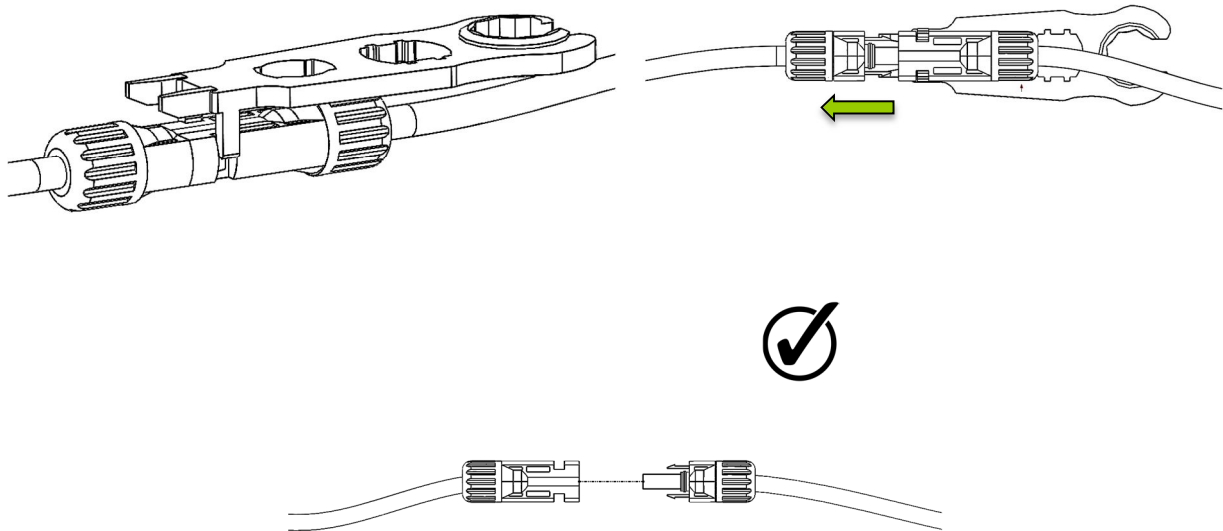
### **Unplugging MC4 Connections**

MC4 connections will consist of a male and female MC4 connector latched onto one another. Breaking these connections, whether it be for panel expansion or insertion of MC4 branch connectors, could be troublesome if the user is not using the MC4 Assembly Tool. In order to disconnect wires, simply:

**1. Align MC4 tool with MC4 connections along the middle**



**2. Press down and pull the MC4 connections away from each other**

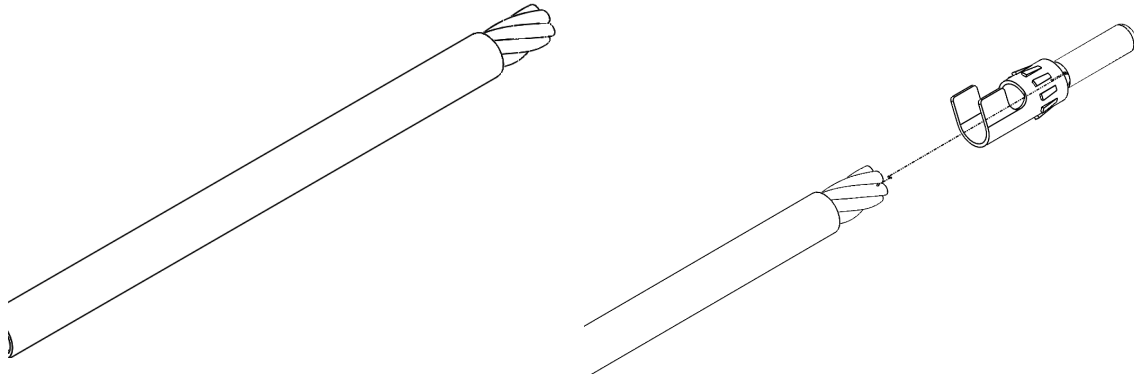


**Assembling/Disassembling MC4 Connectors**

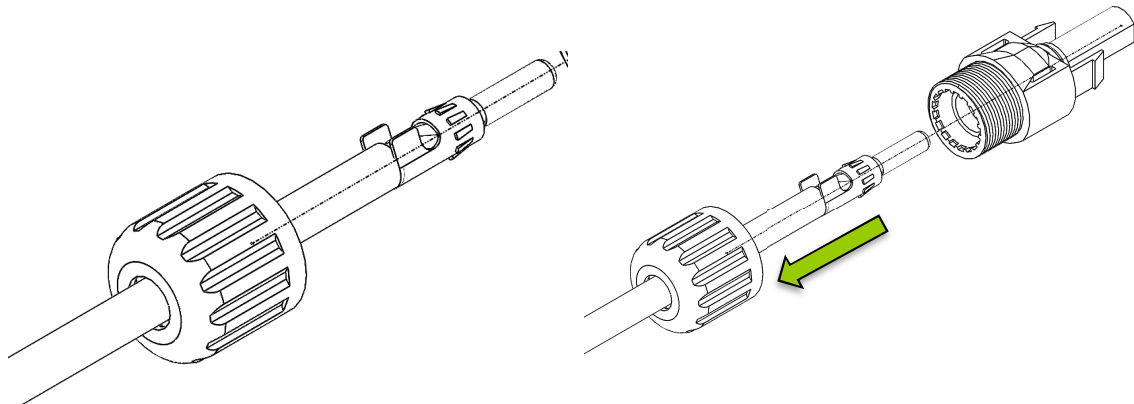
In order to assemble MC4 connectors, it is highly recommended that users have these tools:

- 2 x MC4 Tools
- Wire Crimper and/or Wire Stripper
- MC4 connector

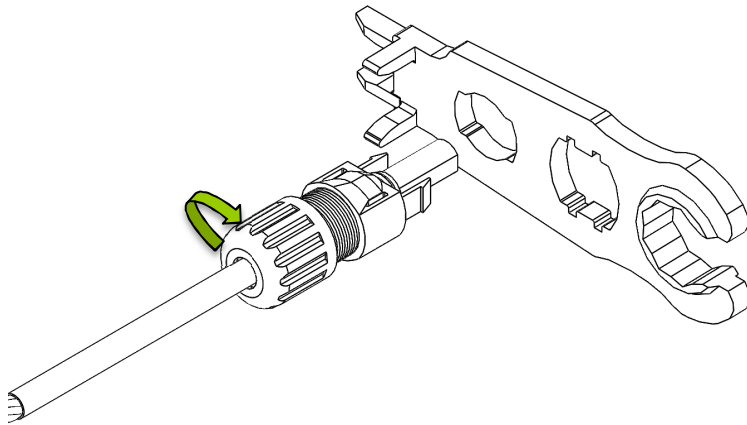
- 1. Strip wire, insert silver plated copper piece into exposed wire and crimp**



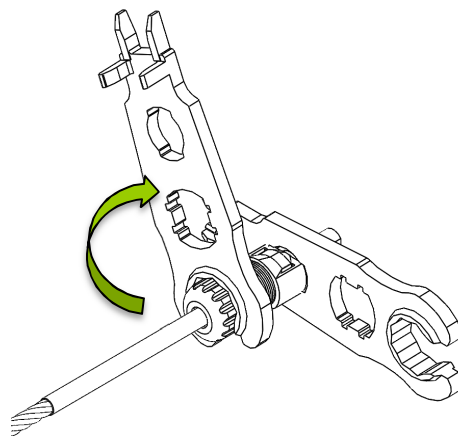
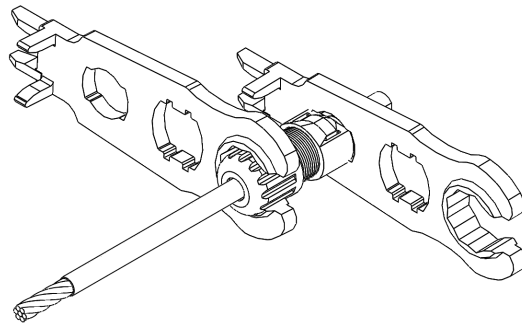
- 2. Insert base of MC4 connector through wire then tighten with head of MC4**



- 3. After initial tightening, insert the nose of the MC4 connector head through the third hole of the MC4 tool**



- 4. Use the second MC4 tool to grip the base of the MC4 connector. Rotate one of the tools while keeping the other still to finish tightening the MC4 connector**



## Technical Specifications

<b>MC4 Assembly Tool</b>	
Dimensions	5.5 x 2 x 1in / 139.7 x 50.8 x 25.4mm
Weight	0.3oz
Material	Hard Plastic
<b>MC4 Connector</b>	
Rated Current	30A
Maximum Voltage	1000 VDC
Wiring Size Range	#AWG 12—10
Contact Material	Silver Plated Copper
Insulation Material	PA/PC
Contact Resistance	0.5mΩ
Temperature	-40°F to 194°F / -40°C to 90°C
Protection Class	IP67