

Ceiling Garage Heater



OWNERS MANUAL

Read and save these instructions.



A Name You Can Trust

Trust has to be earned and we will earn yours. Customer happiness is the focus of our business.

From the factory to the warehouse, from the sales floor to your home, the whole NewAir family promises to provide you with innovative products, exceptional service, and support when you need it the most.

Count on NewAir.

As a proud NewAir owner, welcome to our family. There are no robots here, real people shipped your product and real people are here to help you.

Thank you for your purchase and remember NewAir, A Name You Can Trust.

Call us today at 855-963-9247

Or email support@newair.com

For future reference, we recommend you attach a copy of your sales receipt here and record the following information. You will need this information if it becomes necessary to contact the manufacturer for service inquiries.

Date of Purchase: _____

Serial Number: _____

Model Number: _____



Connect with us online.

<http://www.NewAir.com>

READ AND SAVE THESE INSTRUCTIONS.

TABLE OF CONTENTS

Specifications	3
Before First Use.....	3
Safety Information & Warnings	4
Parts List.....	7
Heater Installation	8
Before Installation:	8
Installation Instructions:	9
Operation.....	10
Cleaning & Storage.....	11
Troubleshooting.....	12
Limited Manufacturer's Warranty	14

SPECIFICATIONS

MODEL NO.	G80
VOLTAGE:	240 Volts
POWER CONSUMPTION:	5000W

BEFORE FIRST USE

PLEASE READ ALL INSTRUCTIONS BEFORE USING THIS HEATER

Note: There may be a trace of smoke or odor when this unit is first operated. Don't be alarmed. This indicates that a drop of oil fell on the heating coil during the manufacturing process. It will quickly evaporate and should not re-occur

Make sure that the room in which the appliance is located is well ventilated during its operation. It is normal for the appliance to emit small cracking sounds when you turn it on for the first time. Do not be alarmed.



**WARNING – RISK OF FIRE
DO NOT USE AS A RESIDENTIAL
OR HOUSEHOLD HEATER**

CAUTION: This appliance is not intended for use by persons (including children) with reduced physical, sensory, or mental capabilities, or lack of experience and knowledge, unless they have been given supervision or instruction concerning use of the appliance by a person responsible for their safety.

- Read and follow all the instructions below even if you feel you are familiar with the appliance.
- Remove the packing and make sure that the appliance is intact. If in doubt, do not use the appliance and contact the place of purchase.
- Do not leave packaging materials such as bags and staples within reach of children.
- Dispose of packaging carefully and with consideration for the environment.
- It is ideal to retain the appliance carton for seasonal storage.
- For your convenience, record the date you received the appliance on the warranty page of these instructions and attach your proof of purchase. Retain this information in the event that warranty service is required.

SAFETY INFORMATION & WARNINGS



When using any electrical appliance, basic safety precautions must be followed in order to reduce the risk of fire, electrical shock and/or injury to persons or property. Be sure to read all instructions before using this appliance and observe the following safety tips:

<http://www.NewAir.com>

Location and Grill Safety:

- This heater is hot when in use. To avoid burns, do not let bare skin touch the hot surface. Always use the handle when moving this heater. The trim around the air outlet grille becomes hot during heater operation. Keep combustible materials such as furniture, pillows, bedding, papers, clothes, and curtains at least 3 feet (0.9 m) from the front of the heater.
- Do not install less than 8 feet (2.4 m) from the floor or closer than 3 feet (.9m) to any vertical surfaces or walls.
- Do not insert or allow foreign objects to enter any ventilation or exhaust opening as this may cause an electric shock or fire, or damage to the heater.
- To prevent a possible fire, do not block air intakes or exhaust in any manner. Do not use on soft surfaces, like a bed, where openings may become blocked.
- All electrical heaters have hot, arcing, or sparking parts inside. Do not use in areas where gasoline, paint, or flammable liquids are used or stored or where the unit will be exposed to flammable vapors.

Installation and Electrical Safety:

- Connect to properly grounded outlets only. Check heater voltage and amperage on the back of the heater to make sure it agrees with the electric service supplied.
- Always use a certified electrician should new circuits or outlets be required.
- Do not modify the heater. Use it only as described in this manual. Any other use not recommended by the manufacturer may cause fire, electric shock, or injury to persons.
- Disconnect all power supply before performing any cleaning, maintenance, or relocation of the unit.
- Use this heater only as described in this manual. Any other use not recommended by the manufacturer may cause fire, electric shock or injury to persons.
- For supply cables, use 10 AWG (5.3 mm²) copper wires or 8 AWG (8.4 mm²) aluminum wires suitable for at least 60°C (167°F).

Operation:

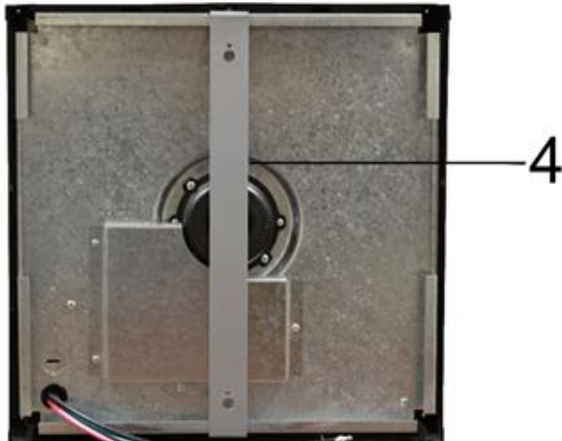
- Do not operate the heater if the supplied wire is damaged, the heater malfunctions, or the heater has been dropped or damaged in any manner. Return heater to authorized service facility for examination, electrical or mechanical adjustment, or repair.
- Do not use the heater outdoors.
- This heater is not intended for use in bathrooms, laundry areas and similar humid indoor locations. Never put a heater where it may fall into a bathtub or other water container.
- Do not run in locations when the heater will be left unattended for long periods of time.

Other Tips:

- Extreme caution is necessary when any heater is used by or near children or invalids, and whenever the heater is left operating and unattended.
- When transporting or storing the unit, keep in a dry place, free from excessive vibration, and store so as to avoid damage.
- Make sure that no pieces of polystyrene or other packaging material have been left between one element of the appliance and another. It may be necessary to clean the appliance with a vacuum cleaner.
- Do not use attachments or filters. They are not recommended.

SAVE THESE INSTRUCTIONS

PARTS LIST



1. **Housing**
2. **Safety grille**
3. **Select switch: Fan Only or Fan and Heater**
4. **Mounting Bracket**

A Name You Can Trust

HEATER INSTALLATION



NOTE: To prevent personal injury always use a licensed electrician to install new outlets or circuits.

BEFORE INSTALLATION:

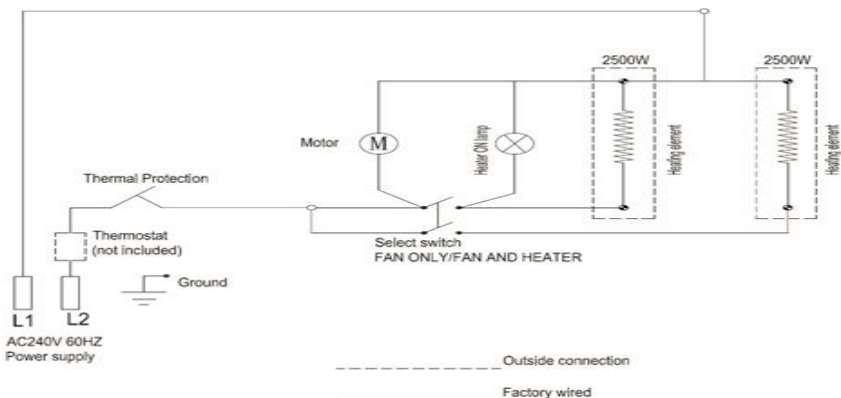
- Disconnect the main power supply connection.
- Supply cables should be 10 AWG (5.3 mm²) copper wires or 8 AWG (8.4 mm²) aluminum wires suitable for at least 60°C (140°F).
- The heater must be connected to an individual circuit protected by a 30 Amp circuit breaker.
- Supply cables must be equipped with a dual pole circuit breaker rating of at least 240V/30A.



CAUTION: High temperature, risk of fire, keep electrical cords, drapery, furnishings, and other combustibles at least 3 feet (0.9 m) from the front of the heater and away from the side and rear.

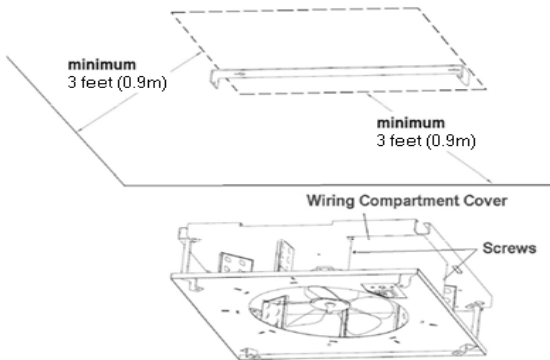


WARNING: To reduce the risk of fire, do not store or use gasoline or other flammable vapors and liquids in the vicinity of the heater.



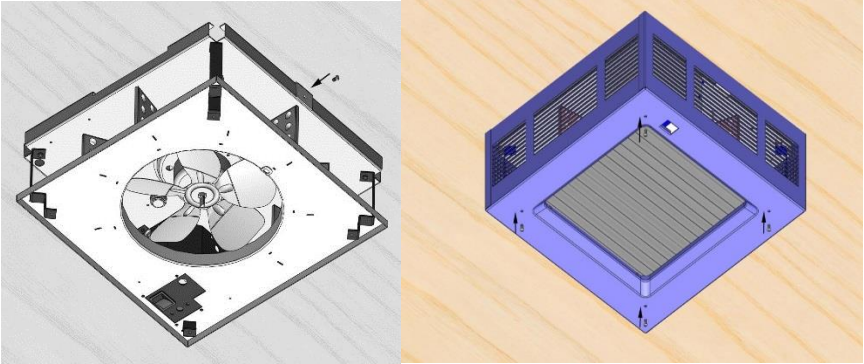
INSTALLATION INSTRUCTIONS:

1. Loosen the 4 screws to remove the housing of the unit.
2. Keep the unit at least 8 feet (2.4m) away from the floor. This minimum distance must be maintained.
3. Do not install closer than 3 feet (0.9 m) to a vertical surface.
4. Mark the drill-hole positions in the ceiling for the mounting bracket.
5. Drill the required holes sized to fit the anchor provided for positioning the mounting bracket.
6. Insert the anchors.
7. Attach the mounting bracket to the ceiling and secure with mounting screws.



A Name You Can Trust

8. Hook the unit to the mounting bracket and let the unit hang from the mounting bracket.
9. Loosen 2 screws to remove the wiring compartment cover.
10. Run the electrical power supply cable and connect to the wiring compartment via the knock-out at back side of the unit.
11. Make the correct electrical connections to the G80 and after making the connections, arrange the pigtail leads of the unit and power supply wires in the wiring compartment.
12. Replace the wiring compartment cover and lock in place with 2 screws.
13. Secure the unit to the bracket with screws.
14. Replace the housing and secure with screws.



OPERATION

The Select switch on the heater is for function selection only. Use the circuit breaker as your power switch. The circuit breaker should be installed by a certified electrician and be located in line of sight of the heater location or should be capable of being locked in the open position. Follow the operating instructions to reduce the risk of fire, electric shock, injury or death.

1. Switch on the circuit breaker to turn on the heater.
2. When the Select switch on the heater is at the FAN ONLY position, only the fan is on.

3. Press the switch to FAN and HEATER position and the heater will run at 5000W and the light will turn on.
4. To turn off the heater, switch off the circuit breaker. **The circuit breaker serves as the power switch.**

CLEANING & STORAGE

REGULAR CLEANING:

Before any cleaning:

- Make sure the heater is turned off.
- Disconnect power supply at source by switching off the circuit breaker.



CAUTION: Allow at least 60 minutes for the heater to cool before attempting any maintenance or cleaning.

1. Do not spray cleaning liquid or other chemicals onto the unit.
2. Interior dust can often be removed by using a vacuum cleaner with a crevice tool attachment.
3. To clean enclosure, use a clean, soft and lightly damp cloth to gently wipe all the dirt from the surface of the unit. Be sure not to wet the heating element and the switches. Allow the unit to dry completely before using it.



CAUTION: Do not allow water to run into the interior of the heater as this could create a fire or electric shock hazard, damaging the unit.

STORAGE:

1. Perform the cleaning procedures described above.
2. Wipe all parts dry.
3. Pack the heater in a plastic bag and store it in a cool, dry place.

TROUBLESHOOTING

Problem	Possible Causes	Solution
Unit is not heating.	Overheat protection has temporarily deactivated the heater.	Turn the heater off; disconnect the power and allow it to cool. Inspect and remove any objects on or adjacent to the heater. Wait 30 minutes before restoring power.
	Heater is not wired correctly.	Follow the included hardwiring directions. Contacting a licensed electrician is recommended.
	Breaker/Fuse has been tripped.	Check your electrical box to confirm the breaker has not been tripped. This may occur if the receptacle is shared by other high consumption appliances.
The heater is producing a burning smell.	A drop of oil fell on the heating coil during the manufacturing process. It will quickly evaporate and should not occur again.	Ensure room in which heater is situated is well ventilated.

Problem	Possible Causes	Solution
	Check and ensure there are no combustible materials within 3 feet (.9 meters) surrounding the heater.	Remove any combustible items from the heater.
	Ensure a minimum clearance of 5.5 inches (14 cm) from both sides and rear of heater to adjacent walls.	Reposition the heater so there is enough space around the heater to the adjacent walls.

**Please do not attempt to open or repair the heater yourself.
Doing so could cause damage or personal injury.**

LIMITED MANUFACTURER'S WARRANTY

This appliance is covered by a limited manufacturer's warranty. For one year from the original date of purchase, the manufacturer will repair or replace any parts of this appliance that prove to be defective in materials and workmanship, provided the appliance has been used under normal operating conditions as intended by the manufacturer.

Warranty Terms:

During the first year, any components of this appliance found to be defective due to materials or workmanship will be repaired or replaced, at the manufacturer's discretion, at no charge to the original purchaser. The purchaser will be responsible for any removal or transportation costs.

Warranty Exclusions:

The warranty will not apply if damage is caused by any of the following:

- Power failure
- Damage in transit or when moving the appliance
- Improper power supply such as low voltage, defective household wiring or inadequate fuses
- Accident, alteration, misuse or abuse of the appliance such as using non-approved accessories, inadequate air circulation in the room or abnormal operating conditions (extreme temperatures)
- Use in commercial or industrial applications
- Fire, water damage, theft, war, riot, hostility or acts of God such as hurricanes, floods, etc.
- Use of force or damage caused by external influences
- Partially or completely dismantled appliances
- Excess wear and tear by the user

Obtaining Service:

When making a warranty claim, please have the original bill of purchase with purchase date available. Once confirmed that your appliance is eligible for warranty service, all repairs will be performed by a NewAir™ authorized repair facility. The purchaser will be responsible for any removal or transportation costs. Replacement parts and/or units will be new, re-manufactured or refurbished and is subject to the manufacturer's discretion. For technical support and warranty service, please email support@newairusa.com.