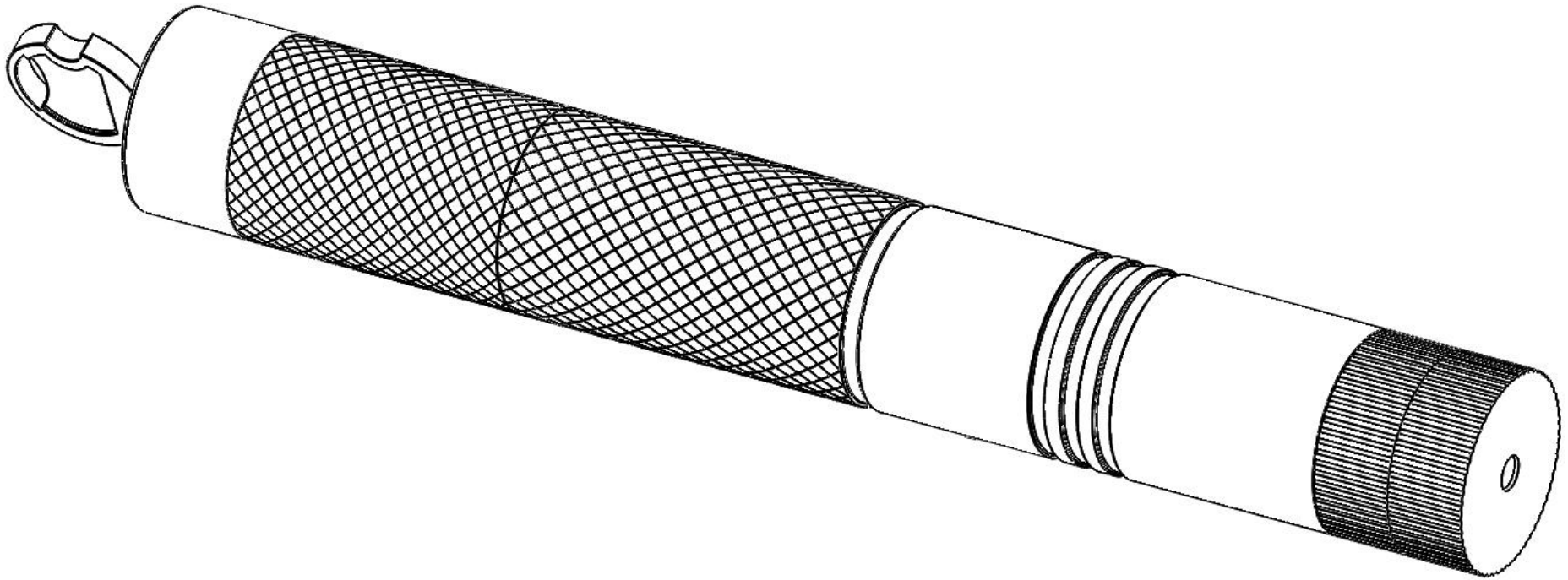


Laser 303 Instruction Manual



Product model:Laser 303



Catalog

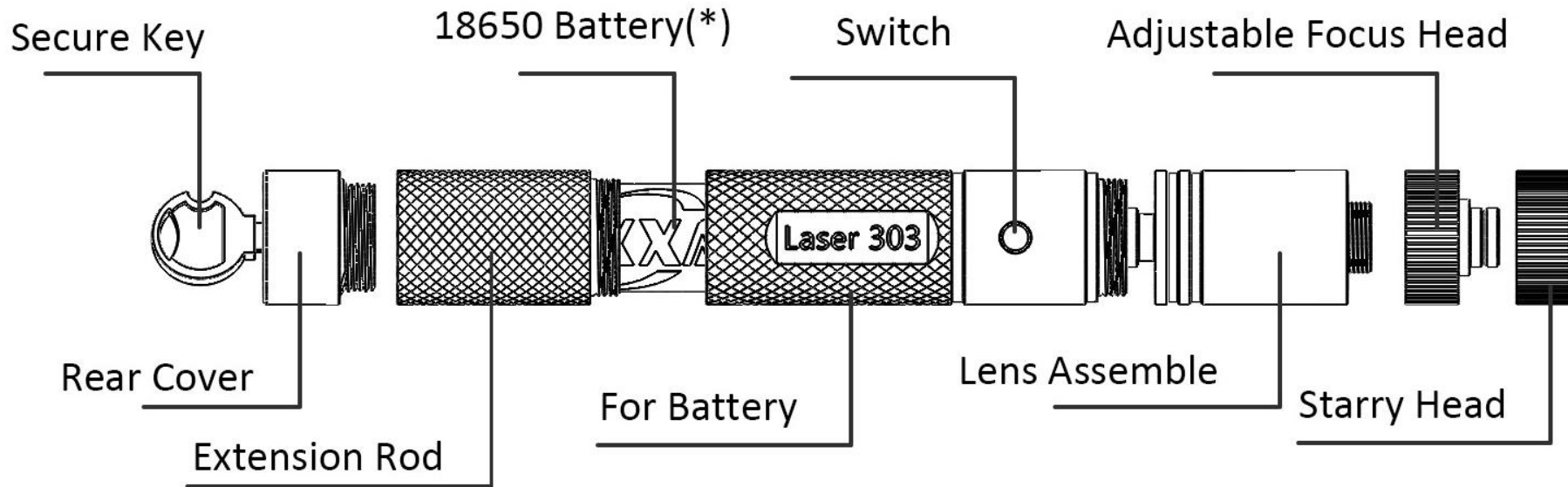
Catalog.....	1
Product Parameters.....	1
Product Structure.....	2
About Using.....	4
1.Battery Installation.....	4
2.Use Guide.....	5
3.Focus Function Operation.....	6
About Product.....	7
1.Features.....	7
2.Use Range.....	7
NOTE.....	10
1.Precautions For Use.....	10
2.Reminder.....	11

Product Parameters

Model	Laser-303	Size(DXL)	22mmX160mm
Material	Hard aluminum	Power Supply	1*18650 battery
Output Power	5mw	Working Voltage	DC3.7V (with key protection)
Wavelength	532 nm	Start-up Time	≤0.001s
Switching Mode	push switch	Optimum Temperature Range	5°C - 45°C
Surface Treatment	anodized black	Lighting Range*	5000 meters *

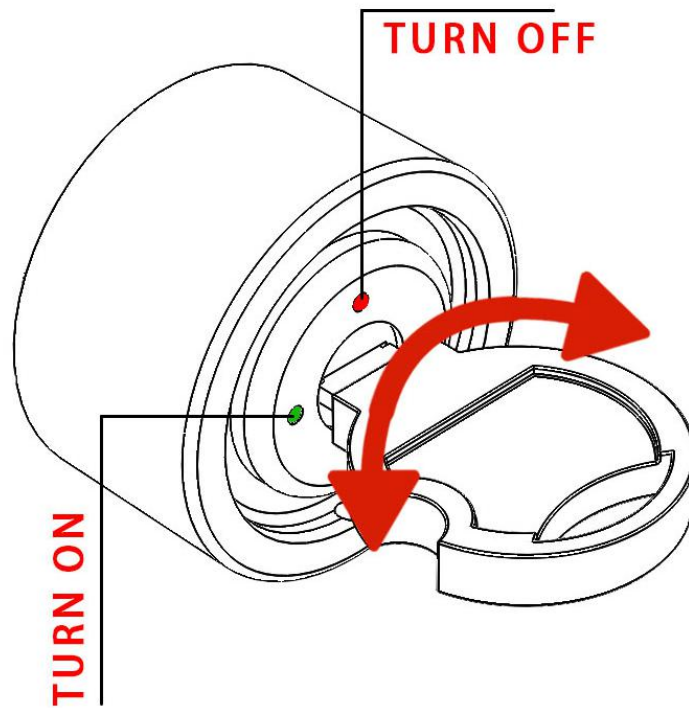
*The farthest distance visible to the human eye at night.

Product Structure



*Can also be powered by 16340 battery, please remove the extension rod first.

Figure 1.Product structure



Red : Lock

Green: Unlock

Figure 2. Child lock

About Using

1. Battery Installation

- 1.1 Unscrew the laser indicator back cover;
- 1.2 Take out the battery and prepare to place it;
- 1.3 Place the negative pole of one 18650 battery inward align the spring inside, **as shown in Figure 3**, and then screw the back cover;
- 1.4 Open the tail switch lock with the key, the green point is open, and the red point is off.

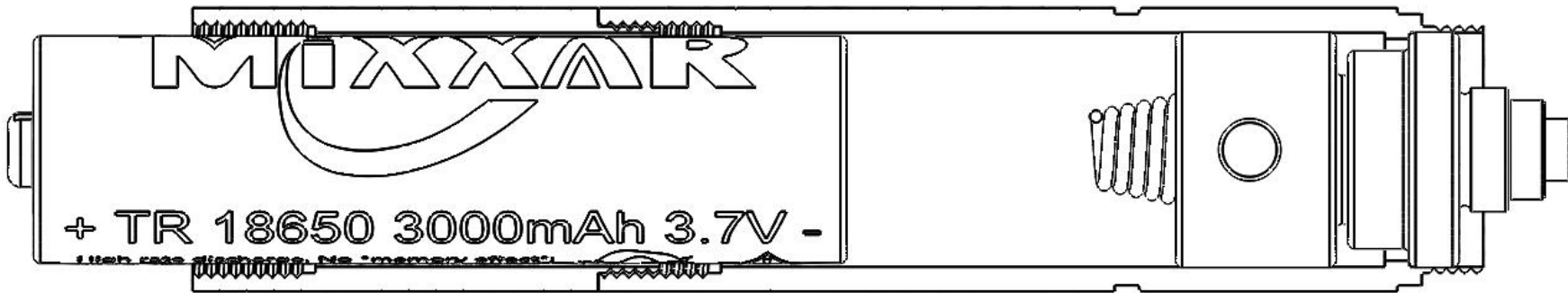
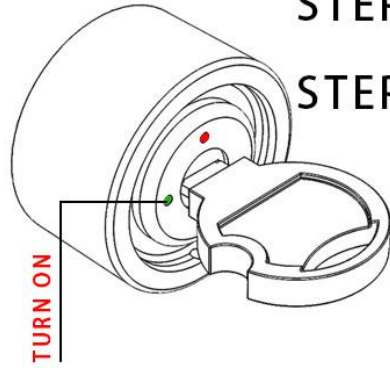


Figure 3

2.Use Guide

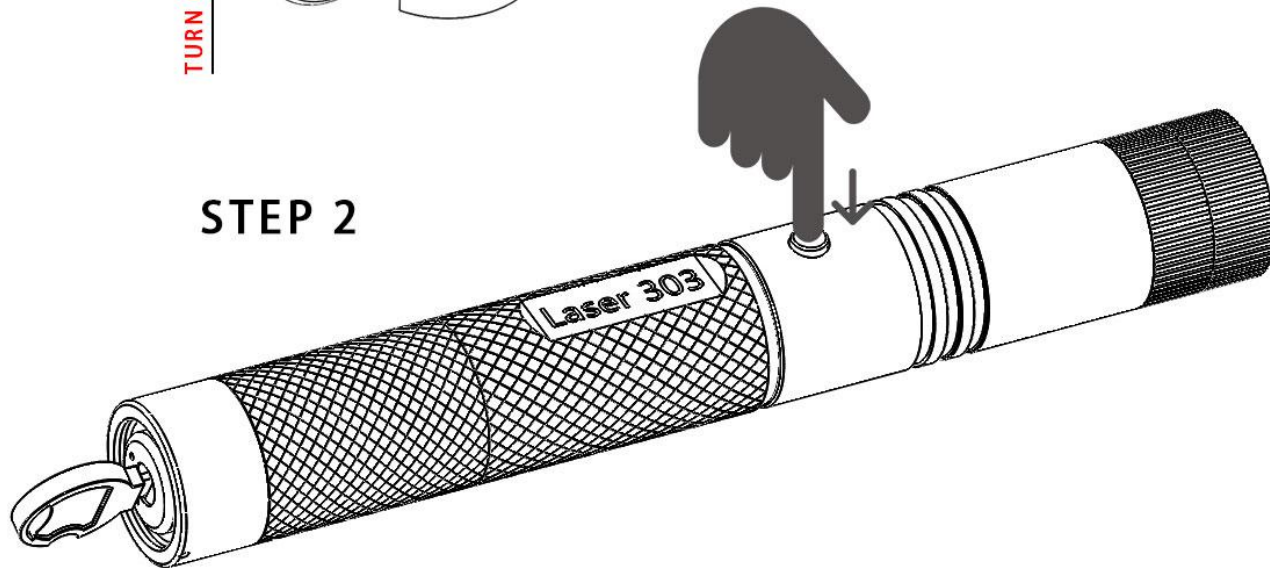
STEP 1



STEP 1 : PLEASE TURN ON THE CHILD LOCK

STEP 2 : TURN ON THE SWITCH

STEP 2



***When not in use for a long time, the child lock should be closed.**

Product model:Laser 303

5

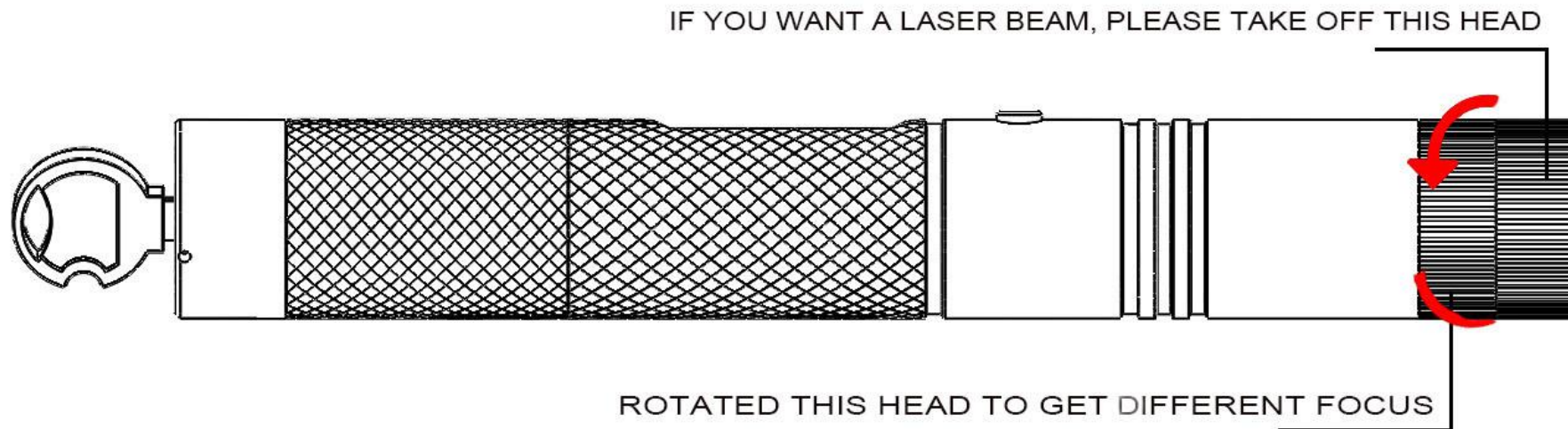
MiXXAR

3.Focus Function Operation

3.1 After the laser pointer is turned on, the focusing head rotates to the right, the spot gradually becomes larger, and the focus is closer; when it is rotated to the left, the spot becomes smaller and the focus is farther.

3.2 focus recognition method: rotate the focusing head to the right to make the spot larger

3.3 if you want a laser beam, please take off the starry head !



About Product

1.Features

1. Aviation aluminum alloy manufacturing, durable
2. With child safety lock, when not in use, turn the switch key to the red dot and pull it out to disconnect the power supply
3. External focusing, convenient to adjust the thickness of the light column, the spot size
4. 18650 battery, large capacity, long battery life
5. Front switch, press power on, release power off and convenient to use
6. Import LD and accessories, increase the service life, more than 500,000 hours
7. Built-in laser module to improve heat dissipation, circuit board acquisition and protection design (for the improvement of domestic laser circuit board defects)
8. Stability: Green light is greatly affected by the climate. It is used in colder environments and needs to be preheated.

2.Use Range

◆ Teachers, professors ◆

It is used for classroom teaching, so that you can easily "point the blackboard" in a hundred meters away. It is a powerful assistant for

Product model:Laser 303

teachers!

◆ Business people ◆

For product presentations and presentations, the green laser gives a refreshing sense of spirit, and you can be "cool" in front of customers!

◆ Conference speaker, museum / exhibition hall / sight commentator ◆

In the face of the big, high and long goals of "reaching the tentacles", the green light pen can be used to easily and accurately indicate the target, which is convenient and fashionable!

◆ Wild travelers, explorers ◆

Used for field lighting, indicating distant targets and sending for help. It is waterproof, moisture-proof, sweat-absorbent, absorbent and wear-resistant. It is especially suitable for field use.

◆ Starry Sky Observer ◆

Used to refer to the stars, the laser that is shot will draw a beautiful "green light" in the night sky, reaching the target airspace, which is very spectacular.

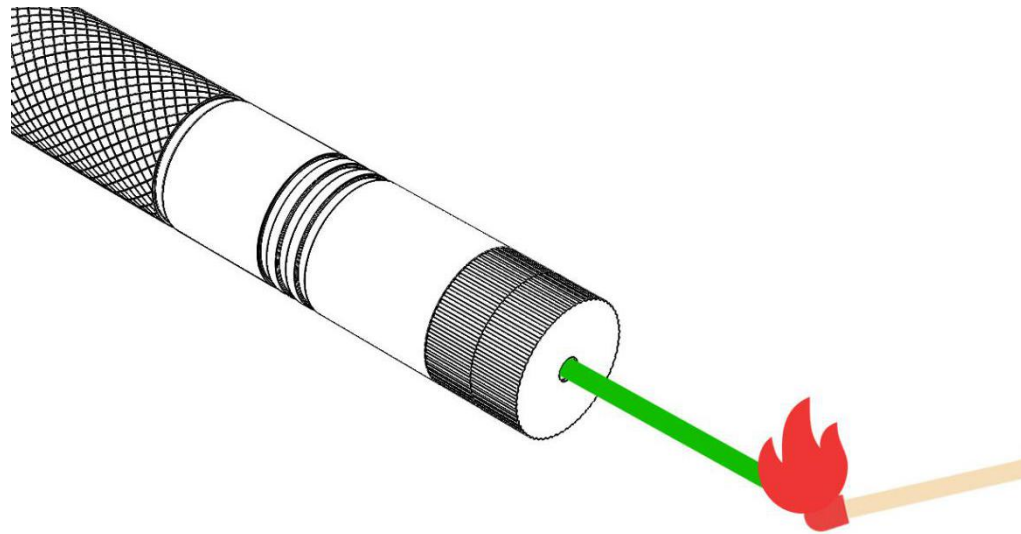
◆ Mining site, construction site related personnel ◆

Used to accurately indicate the target of a building or mine at a distance, avoiding access to hazardous areas. There are also lines and crosses.

◆ Can also be used for leisure and entertainment ◆

Product model: Laser 303

Such as fishing, DISCO, and advertising, because we can make different light types, astigmatism, large angle spots, very small super bright, and ultra-micro laser (less than 5mw), as well as billboards according to the needs of different customers. Graphic production, (If you want a lot of products you can contact us)

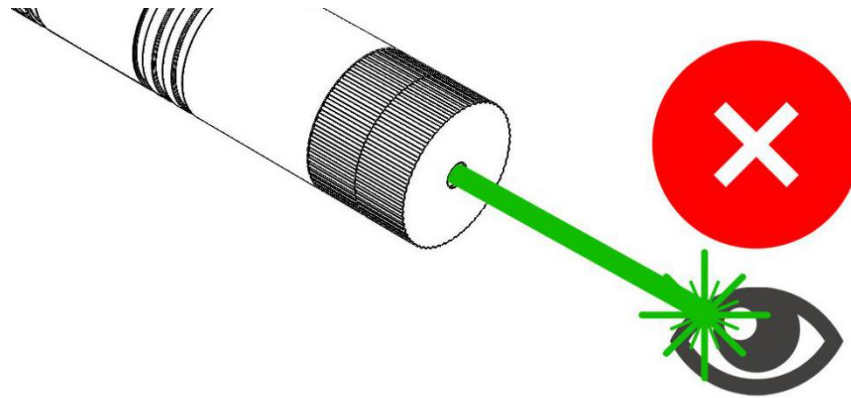


IT CAN LIGHT A MATCH

NOTE

1.Precautions For Use

1. The laser power is large, please do not keep the laser for more than 20 seconds, otherwise it will be easy to burn from the inside.
2. Do not illuminate the eyes directly to avoid eye damage!
3. Remove the battery when not in use, put it in a position that is not easy for the child to find, and open the child lock!
4. If you find that the brightness of the laser beam is seriously reduced, please pay attention to charge the battery or replace the battery.
5. Do not use over voltage, the voltage should not exceed 4.2V, please do not reverse the battery, otherwise it will burn the circuit board
6. Please look for the positive and negative poles of the charger when charging. Do not overcharge or over discharge the battery. This will damage the battery life. (The indicator light of the charger is red, there is no power, the indicator light of the charger is green and full. Electric)



2.Reminder

1. Our products are all made by employees one by one. We guarantee that we will do our best to ensure the quality of our products. This is our commitment to you.

2. the products are taken under natural light, as far as possible to let the product show its own color, but it will inevitably be affected by many factors such as weather, light, display color difference, etc., there will be a certain color difference, this situation is not regarded as a quality problem . Please be sure to ask the customers who have this concern before buying.

3. Each product will be inspected before shipment! However, due to the courier and logistics transportation, it will inevitably occur that the product will still have a bad situation when it comes to the customer. If you have any questions, please feel free to contact us. Please don't give a bad review immediately. We promise to refund or change the product.



Shenzhen Mikesi Dianzi Keji Youxian Zeren Gongsi

Email : mixxarceo@163.com

We sincerely serve you, you can contact us if you have any questions.