

# Quick Guide



Thank you for choosing

## Asante Garage Door Opener with Camera Kit

For first time installation, please make sure that the Asante products and your router are within close proximity to each other. Once configured, they can be moved to desired locations.



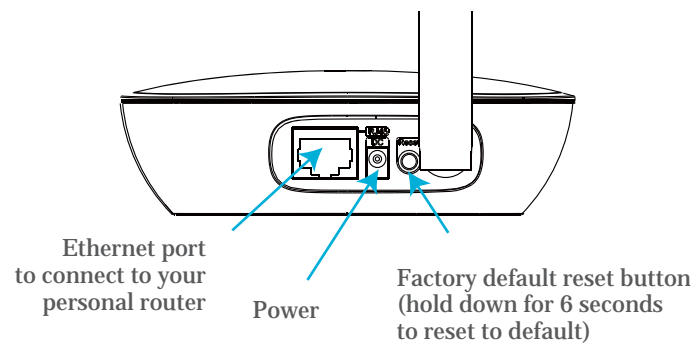
### Asante Home Extender ports and lights



Power Wireless Pairing Light Cloud Light



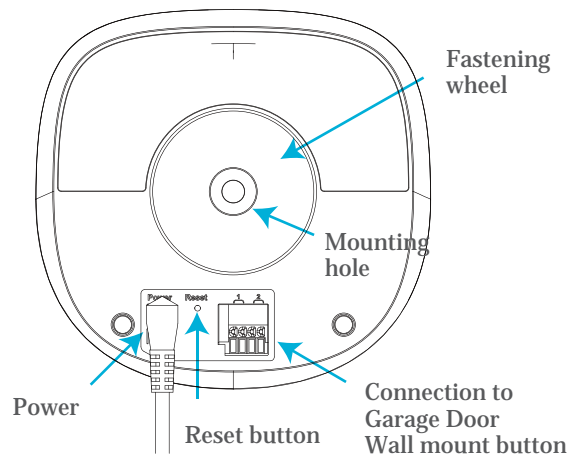
Wifi Wireless Connectivity Light Signal Strength Light for Wireless



### Asante Garage Door Opener with Camera ports and lights

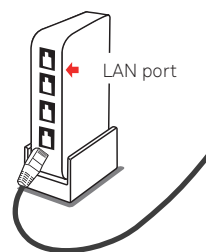


Wifi Wireless Connectivity Light Signal Strength Light for Wireless Power



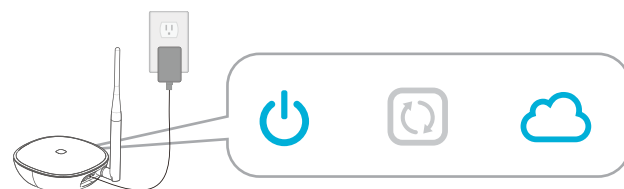
### Step 1 Connection to the router

Using the RJ45 Ethernet cable provided, connect the Asante Home Extender to a LAN port on your router.



### Step 2 Power

1. Connect the power to Asante Home Extender and make sure power light comes on.
2. Cloud light comes on usually after 1 to 3 minutes depending on the Internet connection.



### Step 3 Download app and device discovery

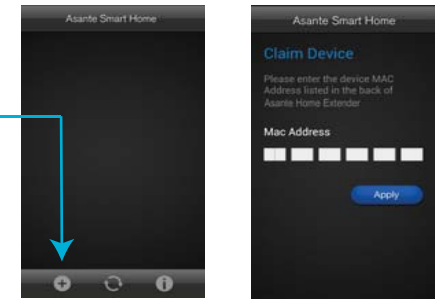
\* Connect Smartphone to same WiFi router that Asante Home Extender is connected to.

1. Download free app from Apple Store or Google Play  
Simply search for **Asante Smart Home**
2. Create an account and sign in
3. Claim your first Asante Home Extender when prompted



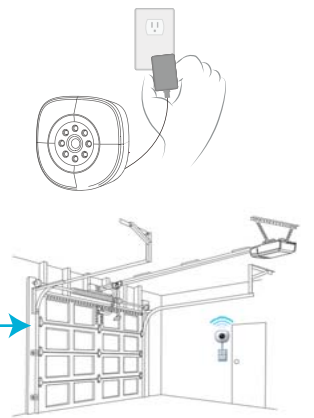
\* If your Smartphone can not connect to same WiFi router, use the procedure below to manually add the device.

1. Login to app and click the + sign as shown
2. Enter the MAC address that appears on the back of Asante Home Extender in the fields provided and click on apply.



### Step 4 Setup of Garage Door Opener with Camera

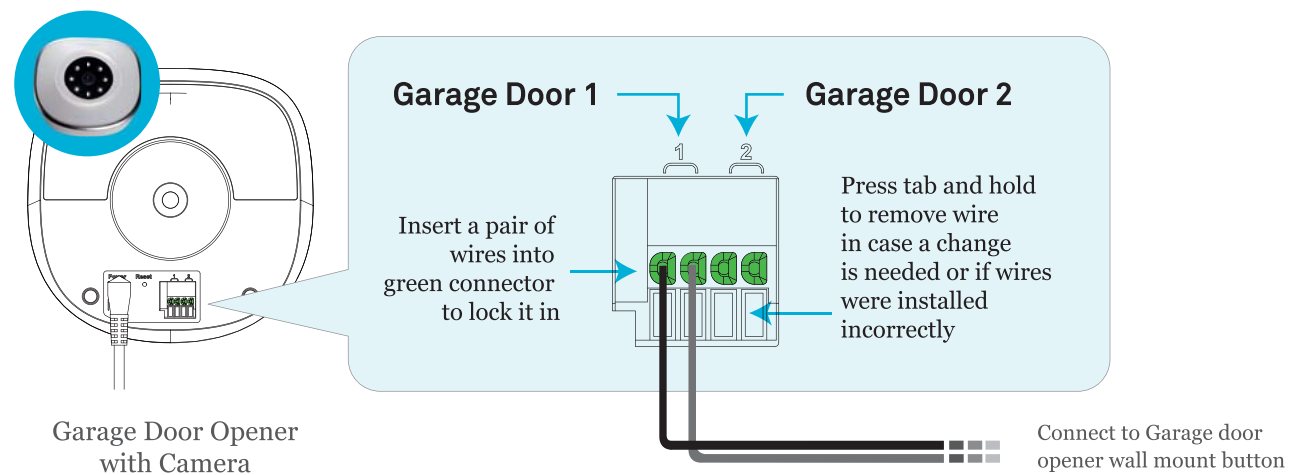
1. Connect the power to your new Asante Garage Door Opener with Camera.
2. LED lights on Asante Garage Door Opener with Camera will start to blink indicating WiFi pairing with Asante Home Extender.
3. Asante Home Extender pairing light will blink until the wireless connection has been established.
4. Claim your first Garage Door Opener with Camera when prompted in the app.
5. Disconnect the power and move it to your desired location to prepare for installation



### Step 5 Attaching Garage Door Opener with Camera to your current garage door wall mount button

**!** We recommend to unplug your garage door electric motor from the AC power during the installation.

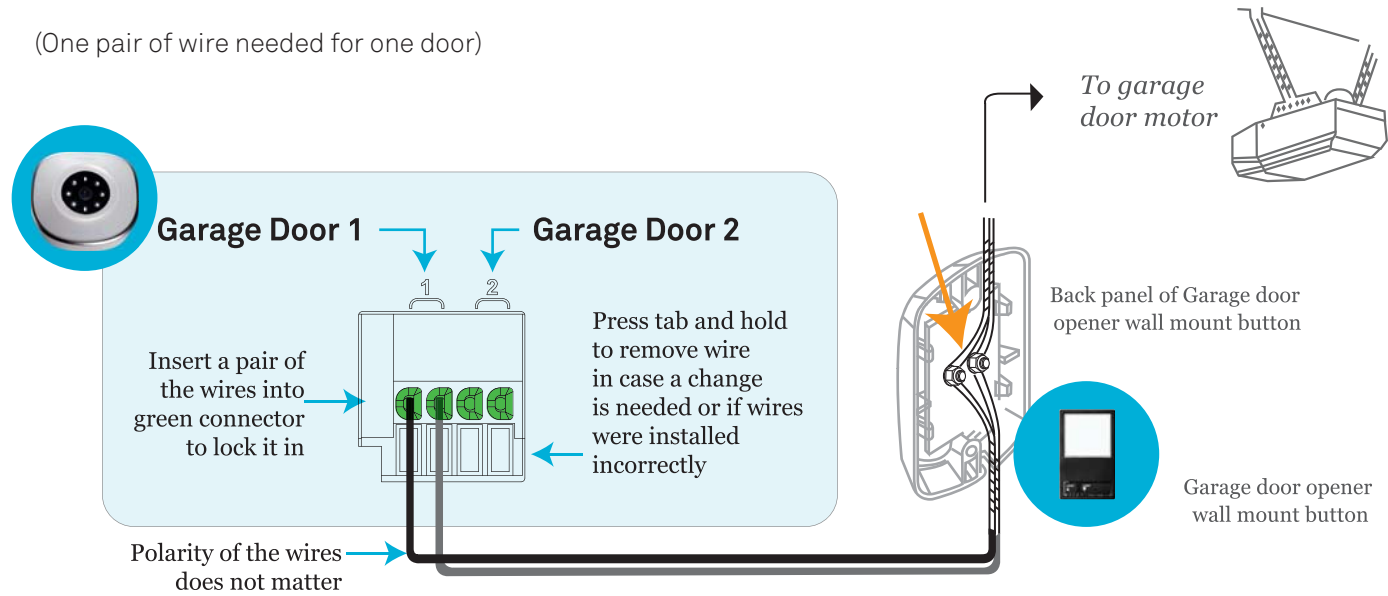
- Each Garage Door Opener with Camera can control up to two garage doors.
1. Using one set of wires (provided), insert tips into the green connector.



2. Connect the other side of wires to garage door opener's wall mount button (see orange arrow below). Note that the wires from Garage Door Opener with Camera need to co-exist with previous wires that were attached to the garage door motor.

For wiring instruction of wall mount button please see **"Wall Mount Buttons Reference Guide"**

(One pair of wire needed for one door)



3. Reconnect the power to your garage door motor and to Asante Garage Door Opener with Camera.
4. Wait until the WiFi lights on Garage Door Opener with Camera are established.
5. **Before mounting the Garage Door Opener with Camera at desired location, login to app and make sure you can see the video.** Also press the button to see if the garage door can be closed or opened.

This concludes the installation of Garage Door Opener with Camera.



## Step 6 Mounting instruction for Garage Door Opener with Camera

1. Hold the mounting base against the wall and mark the screw holes using a pen. Pay close attention to make sure the camera's location can cover your garage doors. Using the screws provided attach the base to the wall (Fig 1).
2. With wires connected to the Garage Door Opener with Camera, attach the camera to the base. To fasten, you need to turn the screw knob clockwise.(Fig 2)
3. To pan or tilt the the camera, hold the camera, pull gently and move it (excessive pull and twisting will damage the mounting unit).

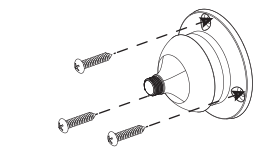


Fig 1

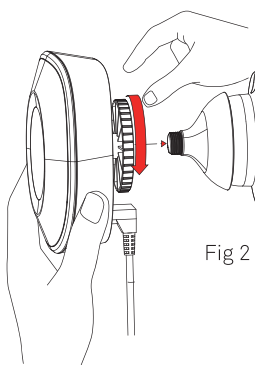
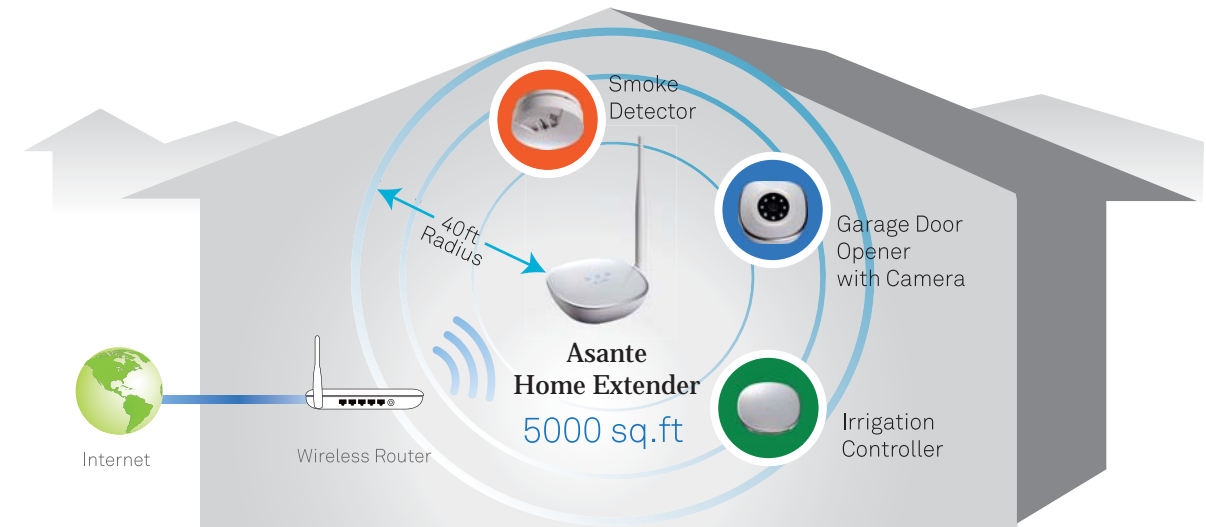


Fig 2

## Step 7 WiFi setup for Asante Home Extender (Optional)

Asante Home Extender wireless bridge mode can extend your wireless coverage in a large size property. For areas larger than 5000 sq.ft, consider placing the Asante Home Extender in a central location to bridge Asante devices into your home router. Otherwise we strongly recommend using the Ethernet wired mode. If you still want to use the wireless option, please follow the procedure below.



Use wireless connection to maximize the WiFi coverage. Asante Home Extender can cover up to 5000 sq.ft

1. Login to app and select the settings button as shown below
2. Select Wi Fi manager
3. Select your home router from the list
4. Enter your personal wireless password that has been setup on your router when prompted

Once connected, you can disconnect the Ethernet cable between the Asante Home Extender and router and move the Asante Home Extender to appropriate location. The lights on the Asante Home Extender will indicate a wireless signal.

