



Airfree®



Airfree® P1000 / P2000 / Onix 3000 / Iris 3000

Index

Important Safety Instructions	4
Installing and Connecting	4
What Airfree® Destroys	5
Airfree® and Mold.....	5
Technical Characteristics	6
How does Airfree® Work?.....	7
Airfree® Description	7
Frequently Asked Questions	8
Warranty	10

Copyright 2017 Airfree® Productos Electrónicos S.A. All Rights Reserved.

No part of this publication may be reproduced, photocopied, transmitted, transcribed, stored in a retrieval system, or translated into any language in any form or by any means without the express prior written consent of Airfree® Productos Electrónicos S.A.



Read operator's manual before usage.



For indoor use only.



Double insulated electrical appliance.



When discarding this product, it must be sent to separate collection facilities for recovery and recycling. By separating this product from other household-type waste, the volume of waste sent to incinerators or land-fills will be reduced and natural resources will thus be conserved.

Índice

Importante Instrucciones de Seguridad.....	11
Instalación y Conexión	11
Lo que Airfree® Destruye	12
Airfree® y Moho	12
Características Técnicas.....	13
¿Cómo Funciona Airfree®?.....	14
Descripción de Airfree®	14
Preguntas Frecuentes	15
Garantía.....	17

Derechos de autor 2017 Airfree® Productos Electrónicos S.A. Todos los derechos reservados. Ninguna parte de esta publicación puede ser reproducida, fotocopiada, transmitida, transcrita, almacenada en un sistema de recuperación ni traducida a cualquier idioma de cualquier forma o por cualquier medio sin el consentimiento previo expreso por escrito de Airfree® Productos Electrónicos SA



Lea el manual del operador antes de su uso.



Solo para uso en interiores.



Aparato eléctrico con doble aislamiento.



Al desechar este producto, debe enviarse a instalaciones de recogida selectiva de residuos para su recuperación y reciclaje. Mediante la separación de este producto de otros residuos de tipo doméstico, se reducirá el volumen de residuos enviados a incineradores o vertederos y, por tanto, se conservan los recursos naturales.

Index

Important Consignes de Sécurité.....	18
Installation et Branchement.....	18
Ce que Airfree® Détruit	19
Airfree® et Moisissure.....	19
Caractéristiques Techniques.....	20
Comment Airfree® Fonctionne-t-il ?.....	21
Description de Airfree®	21
Foire aux Questions.....	22
Garantie.....	24

Copyright 2017 Airfree® Productos Electrónicos S.A. Tous droits réservés.

Aucune partie de cette publication ne peut être reproduite, photocopiée, transmise, transcrite, stockée dans un système de récupération ou traduite dans n'importe quelle langue, sous quelque forme ou par quelque moyen que ce soit, sans l'autorisation expresse préalable d'Airfree® Productos Electrónicos S.A.



Lisez le manuel de l'opérateur avant utilisation.



Utilisation en intérieur uniquement.



Appareil électrique à double isolation.



Si vous devez jeter ce produit, il doit être envoyé aux installations de collecte pour la récupération et le recyclage. En séparant ce produit des autres déchets de type domestique, le volume de déchets envoyés aux incinérateurs ou décharges sera réduit et les ressources naturelles seront ainsi conservées.

IMPORTANT SAFETY INSTRUCTIONS

When installing and using this electrical equipment, basic safety precautions should always be followed, including the following:

READ AND FOLLOW ALL INSTRUCTIONS.



Airfree® is not intended for use by persons with reduced physical, sensory or mental capabilities, or lack of experience or knowledge. Children should be supervised to ensure that they do not play with the appliance.



Do not place your Airfree® in direct contact with water or liquids as it can cause an electric and harmful shock hazard and damage to the unit itself.



Do not obstruct Airfree® air outlets with items such as towels, clothing, curtains, as it will increase heating inside the ceramic core causing the device to shut off. If such condition persists a general cut-off system will cut power supply requiring replacement of the circuit board by an authorised dealer. This incident is not covered by the Airfree® warranty.



Do not attempt to open Airfree® or touch its internal components. Do not insert any objects as it may cause electric shock. Any attempt to open or tamper Airfree® will void the warranty.



To clean Airfree®, unplug it from the electric outlet and use a dry cloth to wipe off its surface. Do not attempt to open Airfree® to clean it inside which is not necessary.



Always keep Airfree® in its vertical position as shown in the picture, otherwise the unit will be shut off until it goes back to the vertical position. In models with Night Light option, the illumination top leds will become intermittent and the On/Off led will shut off.*



If the supply cord is damaged, it must be replaced by the manufacturer, its service agent or similarly qualified persons or any authorised warranty service shop to avoid potential hazard events. When returning your Airfree® for repair please make sure it is well protected preferably inside its original box, to avoid additional damages.



Airfree® shall not be placed near flammable and toxic products.

(*) Please read carefully the “Technical Characteristics“ in order to check which models incorporate the Night Light or multi-color Night Light features.

SAVE THESE INSTRUCTIONS

Installing and Connecting



Plug the power cord into the nearest outlet. Make sure the surface is dry (never place Airfree® on wet floor or immerse it in water). Make sure the On/Off led is on. Adjust the Night Light intensity with the touch sensor. After 30 minutes the top lid should be warm.*



Place Airfree® on a flat surface preferably not exceedingm 3' from the floor, not under furniture, shelves, or behind curtains as it will interfere with air flow and Airfree® efficiency in destroying microorganisms.



Check if the area is compatible with the unit capacity to achieve best unit performance. Using Airfree® in rooms larger than its capacity will greatly reduce its purifying capacity.



Airfree® must be continuously on in the same room, 24 hours a day. Nevertheless, temporarily removing it from the room will allow new microorganism contamination to grow but it will be destroyed when Airfree® is plugged in again. The longer the period without Airfree® the higher the new contamination in the room.



Airfree® is to be used preferably in rooms larger than 43 ft² or 353 ft³.



Rooms with air condition or ventilation will not affect the air sterilization efficiency of your Airfree®. Same for Heating systems.



Airfree® can be placed in corridors but the air sterilization effects will barely have any effect in connecting rooms.



Avoid place the unit near open doors or windows to prevent some of the sterilized air to exit the room.

Please check if your Airfree® incorporates blue Night Light or multi-color Night Light.* If it does please confirm the correct location of the color control / light intensity touch sensor.**



ON TOP SINGLE LIGHT MODELS (dim or turn off)

To dim lights simply touch up to 8 times the touch sensor till off.

MULTI-COLOR LIGHT (dim, turn off and change colors)

Continuously press the touch sensor until the right luminosity is achieved or simply turned off. To change colors simply touch same sensors described above. Each touch will switch color. For the random mode stop at the pink and let it be.

(*) Please read carefully the “Technical Characteristics“ in order to check which models incorporate the Night Light or multi-color Night Light features. () Please read carefully the “Airfree® Description“ to confirm the correct location of the color control / light intensity touch sensor.**

What Airfree® Destroys



Mold and Mildew



Dust Mites Allergens



Organic Odors



Ozone (O₃)



Viruses



Pet Dander Allergens



Bacteria

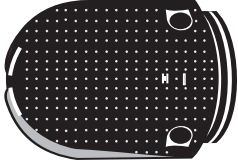
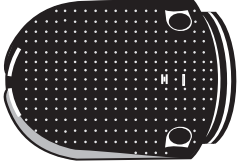
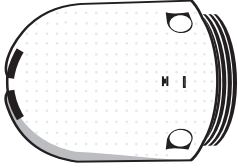
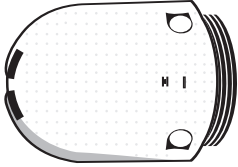


Pollens

Airfree® and Mold

It is important to stress that Airfree® will not destroy or remove mold from an infected item or surface. Those surfaces must be cleaned manually since they are a continuous source of new spores. Airfree® will destroy airborne molds, spores and prevents them from contaminating other areas, inhibiting the growth of existing and new colonies.

Technical Characteristics

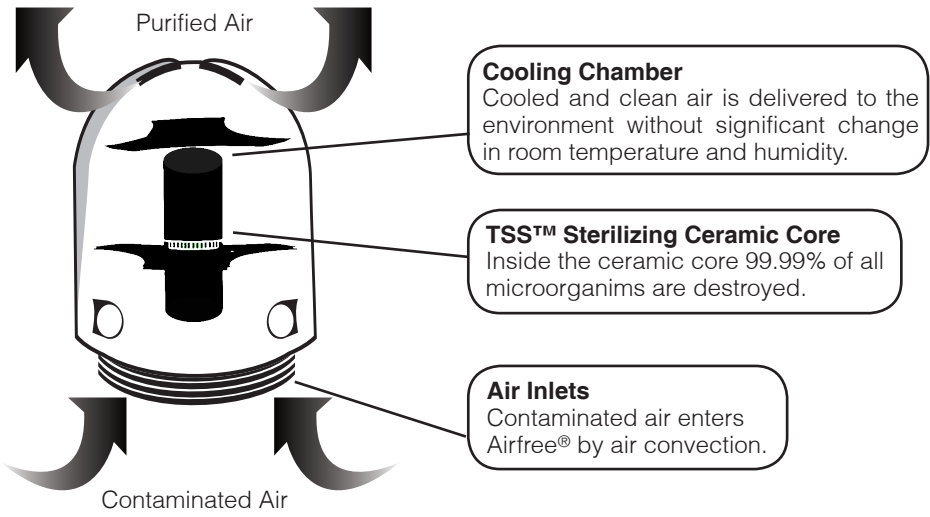


Model	P1000	P2000	Onix 3000	Iris 3000
Capacity	450 ft ²	550 ft ²	650 ft ²	
Electric Consumption	43 W	48 W	51 W	52 W
Voltage	120 V	120 V	120 V	
Noise	Totally Silent	Totally Silent	Totally Silent	
Weight	3.5 lb	3.5 lb	3.5 lb	
Dimensions	Height: 10.4 in Ø: 8.4 in	Height: 10.4 in Ø: 8.4 in	Height: 10.4 in Ø: 8.4 in	
Color	White	White	Black	

Night Light available in the Airfree® P1000 / P2000 / Onix 3000
Multi-color Night Light available in the Airfree® Iris 3000

Light intensity touch sensor / color control touch sensor available in the Airfree® P1000 / P2000 / Onix 3000

How does Airfree® Work?



Cooling Chamber
Cooled and clean air is delivered to the environment without significant change in room temperature and humidity.

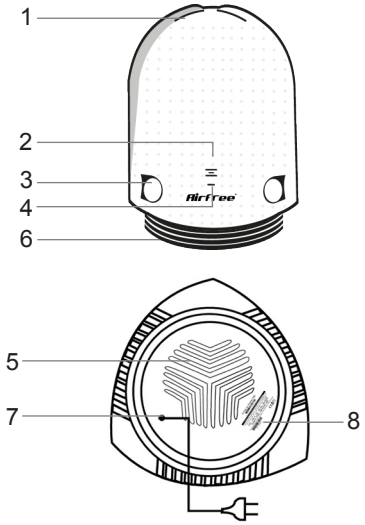
TSS™ Sterilizing Ceramic Core
Inside the ceramic core 99.99% of all microorganisms are destroyed.

Air Inlets
Contaminated air enters Airfree® by air convection.

Regardless of how hazardous a virus, fungus or bacteria might be they are fully destroyed by the powerful heat inside the TSS™ ceramic core mini ducts. The heat inside the ceramic core forces sterilized air up to the heat exchanger causing air convection, which generates negative pressure underneath the ceramic core, so contaminated air is “sucked” in at Airfree® bottom air inlets in a continuous, silent, and efficient air flow.

Airfree® Description

- | |
|--|
| 1- Top lid with air outlets and blue Night Light / multi-colors Night Light* |
| 2- Light intensity touch sensor / color control touch sensor |
| 3- Side shells |
| 4- On/Off led |
| 5- Base |
| 6- Air inlets |
| 7- Power cord |
| 8- Serial number |



The top Night Light does not interfere with the TSS™ air sterilization process of your Airfree®.
(*) Please read carefully the “Technical Characteristics” in order to check which models incorporate the Night Light or multi-color Night Light features.

Frequently Asked Questions

1. Are there any side effects?

No. Airfree's new technology uses heat to purify the air with meaningless heat contribution to the room. No side effects, no emissions, NO IONS, nor new particles are generated. Airfree® can be used in homes and offices, quietly, constantly, and efficiently purifying the air.

2. How do I shut the Night Light or the multi-color Night Light off?***

To dim or shut them off, please check "Installing and Connecting" of this manual.

3. The top lights are blinking. What does that mean?*

On models with top lights it indicates that Airfree® is not correctly placed. Please make sure the device is in its vertical position.

4. Can I install Airfree® in my walking closet ?

Yes if larger than 2x2 meters (43 ft² or 353 ft³). Otherwise it might warm up the closet.

5. Can I use Airfree® in air conditioned rooms?

Yes.

6. How do I know if Airfree® is no longer working?

Check the top lid, if cold the sterilization system is not working. Please connect it to another outlet and make sure the unit is in its vertical position for at least 1 minute.

7. Can I place Airfree® at the corridor to reach adjacent rooms?

No. Airfree® will just reduce air pollution in the corridor's area.

8. Can I place Airfree® in a closed room?

Yes. Please remember such a room must have at least 43 ft² (353 ft³).

9. Should I turn off Airfree® when I leave house?

To achieve best performance we recommend to keep Airfree® always on. Turning the unit off will stop the sterilization process allowing the room contamination to grow.

10. Can I change Airfree® from one room to another?

Airfree® must always be plugged in the same room 24 hours a day. Airfree's patented technology works gradually so, when removing it to another room the contamination in the original room will start to increase.

11. Does CADR measure the effectiveness of the Airfree®?

Not at all. CADR is not designed to test the Airfree® technology. The AHAM seal (usually found on the back of an air cleaner's box) lists three Clean Air Delivery Rate (CADR) numbers: one for tobacco smoke, one for pollen and one for dust. The CADR indicates volume of filtered air delivered by an air cleaner. The reason why CADR is not designed for Airfree® is because Airfree® does not filter but destroys microorganisms instead, such reduction of bacteria, molds, viruses and other microorganisms can only be measured after air sample incubation in a microbiology lab. Airfree® destroys (not trap or attract to other surface) any microorganism regardless of how small they might be. 99.99% of all microorganisms are fully destroyed when passing through the Airfree® patented ceramic core.

12. What happens if Airfree® is disconnected or there was a black out?

Airfree® will take approximately the same time to recover the previous reduced contamination level.

13. Does Airfree® eliminate bacteria and viruses?

Yes. Unlike the air filters in the market Airfree® is more efficient with the smallest microorganisms as they are easily carried by Airfree's airflow into the sterilizing TSS™ ceramic core. Please check the independent bacteria and virus tests at our website.

14. How does Airfree® destroy dust mites?

Mold reduction in the environment causes reduction in the mold dependant dust mite population. Airfree® also destroys the harmful toxins and fungus freed into the air by dust mite feces and skeletons that trigger respiratory allergies and asthma.

15. How does Airfree® eliminate fungi and molds?

As mentioned before, Airfree® eliminates airborne microorganisms there included moulds, fungi and spores. By eliminating spores new mold colonies are unlikely to develop, representing less future airborne spores. Please check the independent mold tests at our website.

16. Does Airfree® reduce tobacco smell?

Slightly.

17. How does Airfree® destroy viruses?

Those microscopic microorganisms are easily eliminated inside Airfree's ceramic core capillaries. Contrary to other technologies the smallest the microorganisms the easiest they are destroyed inside the TSS™ ceramic core capillaries. Please check the independent virus test at our website.

18. Does Airfree® make any humidity level change in the room?

No.

19. Does Airfree® release any gas or chemical product?

No. Airfree's sterilization process is natural. Please check our website for conclusive tests regarding particles and ozone.

20. Does Airfree® heat up a room?

Airfree® does not make any noticeable increase in the room temperature. Just for comparison two Airfree® devices plugged in the same room will contribute as much heat as one 155 lb adult.

21. Does Airfree® need filter replacement?

No.

22. Does Airfree® Night Light interfere with Airfree® sterilizing function?*

No. The Night Light has an aesthetic effect and may simply be used as a Night Light in children or newborn bedrooms.

23. Where do the microorganisms go after they are destroyed?

All living microorganisms are basically composed by carbon, oxygen and nitrogen. Since Airfree® reaches nearly 400 °F, all the components decompose into carbone dioxide (the same product released by our respiration) and water. Some carbon (or microscopic ashes) may remain inside the device or over the top lid during the process. It should be noted that all happens in a microscopic level, so all those residues are a very small fraction of the microorganisms original microscopic size, in other words meaningless.

24. How does the multi-color Night Light work?*

This function offers 10 adjustable light colors, which are Red, Rose, Violet, Blue, Light Blue, Green, Yellow Orange, Brown and Grey. Choose your favorite Night Light color and its intensity or simply choose for the random mode and let the colors change softly.

(*) Please read carefully the “Technical Characteristics“ in order to check which models incorporate the Night Light or multi-color Night Light features. () Please read carefully the “Airfree® Description“ to confirm the correct location of the color control / light intensity touch sensor.**

Warranty

This product is warranted by AIRFREE® PRODUCTS, to the original purchaser to be free from defects in material and workmanship under proper use for a period of two years from date of purchase. During this period, and upon presentation of purchase invoice, this product will be repaired or replaced with same or similar model without charges for parts or labor at distributor address. To be eligible for the warranty, please keep your purchase receipt. We advise you to register your device warranty at www.airfree.com. To obtain warranty service, please send the device with sales receipt or invoice to the distributor. This warranty does not apply to a product that has been misused, abused, or altered without limiting the afore mentioned, bending or dropping the unit, defects in the house electrical installation or fluctuating power levels that are considered to be defects resulting from misuse or abuse. AIRFREE® PRODUCTS and its affiliates or wholesalers do not make any specific claim as to medicinal uses of this product nor does the manufacturer warrants that the equipment prevents diseases.

NEITHER THIS WARRANTY NOR ANY WARRANTY, EXPRESSED OR IMPLIED, INCLUDING IMPLIED WARRANTIES OR MERCHANTABILITY, SHALL EXTEND BEYOND THE WARRANTY PERIOD. NO RESPONSIBILITY IS ASSUMED FOR ANY INCIDENTAL OR CONSEQUENTIAL DAMAGES, SOME STATES DO NOT ALLOW LIMITATION ON HOW LONG AN IMPLIED WARRANTY LASTS; SOME STATES DO NOT ALLOW THE EXCLUSION OR LIMITATION OF INCIDENTAL OR CONSEQUENTIAL DAMAGES, SO THE ABOVE LIMITATIONS OR EXCLUSIONS MAY NOT APPLY TO YOU. AIRFREE® PRODUCTS HEREBY SPECIFICALLY DISCLAIMS ALL EXPRESSED WARRANTIES NOT OTHERWISE SET FORTH HEREIN AND ANY IMPLIED WARRANTIES OR MERCHANTABILITY OR IMPLIED WARRANTIES FOR FITNESS FOR A PARTICULAR PURPOSE. THERE ARE NO WARRANTIES WHICH EXTEND BEYOND THE DESCRIPTION OF THE FACE HEREOF. This warranty gives you specific legal rights; you may have other rights, which vary from state to state, and country to country.

*AIRFREE® PRODUCTS, Julieta Ferrão 10, 9th Floor, 1600 -131 Lisbon, Portugal

Phone: 351 - 213 156 222

Fax: 351 - 213 516 228

Web: www.airfree.com

E-mail: info@airfree.com

The following models are CARB certified air cleaners:

P1000 (851866310006)

P2000 (851866320005)

P3000 (851866330004)

IRIS 3000 (851866400066)

IMPORTANTES INSTRUCCIONES DE SEGURIDAD

Al instalar y usar este equipo eléctrico, siempre se deben seguir las precauciones básicas de seguridad, incluyendo las siguientes:

LEA Y SIGA TODAS LAS INSTRUCCIONES.



Airfree® no está destinado para su uso por personas con discapacidad física reducida, sensorial o mental, o con falta de experiencia o conocimiento. Los niños deberían ser supervisados para asegurarse de que no jueguen con el aparato.



No coloque su Airfree® en contacto directo con agua o líquidos, ya que puede provocar un riesgo de descarga eléctrica perjudicial que puede dañar a la propia unidad.



No obstruya las salidas de aire de Airfree® con objetos como toallas, prendas de vestir o cortinas, ya que aumentará la temperatura en el interior del núcleo de cerámica, y hará que el dispositivo se apague. Si dicho estado persiste, un sistema general de corte interrumpirá la fuente de alimentación, lo que requerirá la sustitución de la placa de circuito por un distribuidor autorizado. Este incidente no está cubierto por la garantía de Airfree®.



No intente abrir Airfree® ni tocar sus componentes internos. No introduzca ningún objeto, ya que puede causar una descarga eléctrica. Cualquier intento de abrir o alterar Airfree® anulará la garantía.



Para limpiar Airfree®, desenchufelo de la toma eléctrica y utilice un paño seco para limpiar su superficie. No intente abrir Airfree® para limpiar el interior, no es necesario.



Siempre mantenga Airfree® en su posición vertical tal como se muestra en la imagen, de lo contrario la unidad se apagará hasta que vuelva a su posición vertical. En los modelos con la opción luz nocturna, los led de iluminación superiores se encenderán intermitentemente y el led On/Off se apagará.*



Si el cable de alimentación está dañado, debe ser sustituido por el fabricante, por el servicio de reparaciones autorizado o por una persona debidamente cualificada o cualquier taller autorizado de servicio de garantía para así evitar riesgos. Al devolver su Airfree® para su reparación, por favor asegúrese de que esté bien protegido, preferentemente dentro de su caja original, para evitar daños adicionales.



Airfree® no debe colocarse cerca de productos inflamables y tóxicos.

(*) Por favor, lea atentamente las “Características Técnicas” para comprobar qué modelos incorporan las características de luz nocturna o luz nocturna multicolor.

GUARDA ESTAS INSTRUCCIONES

Instalación y Conexión



Conecte el cable de alimentación a la toma de electricidad más cercana. Asegúrese de que la superficie adónde va a colocar el Airfree® seha plana y sin agua. (En ningún momento coloque el Airfree® en superficies mojadas ni lo submerja en agua). Asegúrese de que el On/Off led esté encendido. Haga el ajuste de la intensidad de la luz nocturna con el sensor táctil. Pasados 30 minutos, la tapa superior se debe calentar un poco.”



Coloque Airfree® sobre una superficie plana, preferiblemente no superior a 75 cm del suelo, no debajo de los muebles, estantes ni detrás de cortinas, ya que interferirá con el flujo de aire y con la eficacia de Airfree® en la reducción y destrucción de microorganismos.



Compruebe si el área es compatible con la capacidad de la unidad para lograr el mejor rendimiento de la unidad. Si usa Airfree® en habitaciones de tamaño superior a su capacidad, se reducirá en gran medida su capacidad de depuración.



Airfree® debe estar continuamente en la misma habitación, 24 horas al día. Su retirada temporal de la habitación permitirá crecer a nueva contaminación de microorganismos. Sin embargo, se destruirá cuando Airfree® esté enchufado de nuevo. Cuanto más largo sea el período sin Airfree®, mayor será la nueva contaminación en la habitación.



Airfree® debe usarse preferiblemente en habitaciones de tamaño superior a 4 m² o 10 m³.



Las habitaciones con aire acondicionado o ventilación no afectarán a la eficacia de la esterilización del aire de su Airfree®. Lo mismo aplica para los sistemas de calefacción.



Airfree® puede colocarse en los pasillos, pero los efectos de esterilización de aire casi no tendrán ningún efecto en habitaciones contiguas.



Evite colocar la unidad cerca de puertas o ventanas abiertas para evitar que una parte del aire esterilizado salga de la habitación.

Compruebe si su Airfree® incorpora una luz nocturna azul o una luz nocturna multicolor.* De ser así, por favor, confirme la ubicación correcta del sensor táctil de control de color y de intensidad de luz.**

EN MODELOS SUPERIORES DE UNA ÚNICA LUZ (atenuar o apagar)

Para atenuar las luces, simplemente toque hasta 8 veces el sensor táctil hasta que se apague.

LUZ MULTICOLOR (atenuar, apagar y cambiar los colores)

Presione continuamente el sensor táctil hasta que alcance la luminosidad correcta o se apague. Para cambiar los colores, simplemente toque los mismos sensores descritos anteriormente. Cada toque cambiará el color. Para el modo aleatorio, pare en el color rosa y deje que siga funcionando.



(*) Por favor, lea atentamente las “Características Técnicas” para comprobar qué modelos incorporan las características de luz nocturna o luz nocturna multicolor. () Por favor, lea detenidamente la “Descripción de Airfree®” para confirmar la ubicación correcta del sensor táctil de control de color y de intensidad de luz.**

Lo que Airfree® Destruye



Moho y hongos



Alérgenos de los ácaros del polvo



Olores orgánicos



Ozono (O₃)



Virus



Alérgenos de la caspa de mascotas



Bacterias

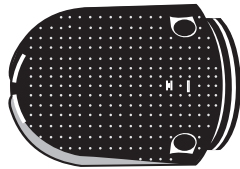
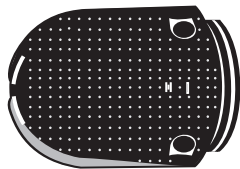
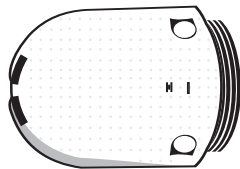
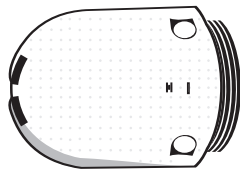


Pólenes

Airfree® y Moho

Es importante hacer hincapié en que Airfree® no destruirá ni eliminará el moho de un objeto o una superficie infectada. Esas superficies deben limpiarse manualmente, ya que son una fuente continua de nuevas esporas. Airfree® destruirá las esporas de moho del aire y evita que se contaminen otras áreas, lo que inhibe el crecimiento de las colonias existentes y nuevas.

Características Técnicas



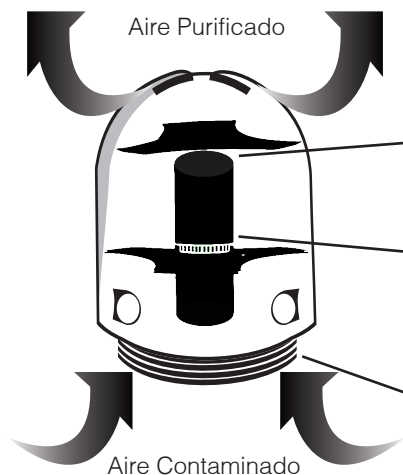
Modelo	P1000	P2000	Onix 3000	Iris 3000
Capacidad	42 m ²	51 m ²	60 m ²	
Consumo Eléctrico	43 W	48 W	51 W	52 W
Voltaje	120 V	120 V	120 V	
Ruido	Totalmente silencioso			
Peso	1,6 kg			
Dimensiones	Altura: 26,5 cm Ø: 21,5 cm			
Color	Blanco	Blanco	Negro	

Luz nocturna disponible en el Airfree® P1000/P2000/Onix3000

Luz nocturna **multicolor** disponible en el Airfree® Iris 3000

Sensor táctil de intensidad de luz / sensor táctil de control de color disponible en el Airfree® P1000/P2000/Onix3000/Iris 3000

¿Cómo Funciona Airfree®?



Cámara de enfriamiento

Suministra aire enfriado y limpio al medio ambiente sin un cambio significativo en la temperatura y humedad de la habitación.

Núcleo de cerámica de esterilización TSS™

En el interior del núcleo de cerámica, el 99,99 % de todos los microorganismos se destruye.

Entradas de aire

El aire contaminado entra en Airfree® por convección del aire.

Independientemente de lo peligroso que sea un virus, hongo o bacteria, este se destruye completamente por el potente calor dentro de los miniconductos del núcleo de cerámica de TSS™. El calor dentro del núcleo de cerámica fuerza y conduce el aire esterilizado hacia el intercambiador de calor, lo que causa una convección de aire y genera una presión negativa por debajo del núcleo de cerámica, por lo que el aire contaminado se «aspira» dentro de las entradas de aire inferiores de Airfree® en un flujo de aire continuo, silencioso y eficiente.

Descripción de Airfree®

1- Tapa superior con salidas de aire y luz nocturna azul / luz nocturna multicolor*

2- Sensor táctil de intensidad de luz / sensor táctil de control de color

3- Carcasas laterales

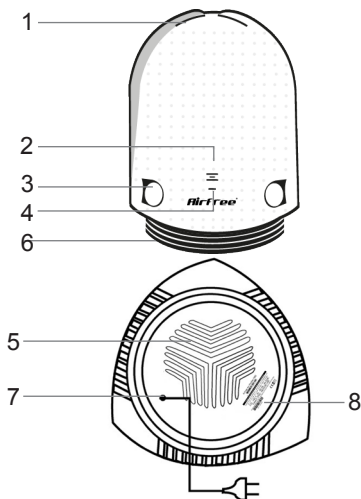
4- Led On/Off

5- Base

6- Entradas de aire

7- Cable de alimentación

8- Número de serie



El luz nocturna superior no interfiere con el proceso de esterilización de aire de TSS™ de su Airfree®. (*) **Por favor, lea atentamente las “Características Técnicas” para comprobar qué modelos incorporan las características de luz nocturna o luz nocturna multicolor.**

Preguntas Frecuentes

1. ¿Hay algunos efectos secundarios ?

No. La nueva tecnología de Airfree® utiliza calor para purificar el aire con un aporte de calor insignificante a la habitación. No hay efectos secundarios, no hay emisiones, no hay iones ni se generan nuevas partículas. Airfree® puede utilizarse en hogares y oficinas para purificar el aire en silencio de manera constante y eficiente.

2. ¿Cómo apago el luz nocturna o el luz nocturna multicolor?*

Con respecto a las luces por favor haga la consulta en “Instalación y Conexión” de este manual.

3. Las luces superiores están parpadeando. ¿Qué significa eso?*

En los modelos con luces superiores, indica que Airfree® no está colocado correctamente. Por favor, asegúrese de que el dispositivo está en su posición vertical.

4. ¿Puedo instalar Airfree® en mi vestidor?

Sí si es más grande que 2x2 metros (4 m² o 10 m³). De lo contrario podría calentar el vestidor.

5. ¿Puedo utilizar Airfree® en habitaciones con aire acondicionado?

Sí.

6. ¿Cómo sé si Airfree® ya no está funcionando?

Compruebe la tapa superior; si está fría, el sistema de esterilización no está funcionando. Por favor, conéctelo a otra toma de corriente y asegúrese de que la unidad está en su posición vertical durante al menos 1 minuto.

7. ¿Puedo colocar Airfree® en el pasillo para que llegue a las habitaciones adyacentes?

No. Airfree® solo reducirá la contaminación del aire en el área del pasillo.

8. ¿Puedo colocar Airfree® en una habitación cerrada?

Sí. Por favor, recuerde que una habitación así debe ser de al menos 4 metros cuadrados (10 m³).

9. ¿Debo apagar Airfree® cuando salga de casa?

Para lograr el mejor rendimiento, se recomienda mantener Airfree® siempre encendido. Si apaga la unidad, se detendrá el proceso de esterilización, lo que permitirá que la contaminación de la habitación crezca.

10. ¿Puedo cambiar Airfree® de una habitación a otra?

Airfree® debe estar siempre enchufada en la misma habitación las 24 horas del día. La tecnología patentada de Airfree® funciona de manera gradual, por lo que, si lo retira a otra habitación, la contaminación en la habitación original comenzará a aumentar.

11. ¿El CADR mide la efectividad de Airfree®?

Para nada. El CADR no está diseñado para probar la tecnología de Airfree®. El sello AHAM (normalmente se encuentra en la parte posterior de la caja del purificador de aire) enumera tres números de la Tasa de Suministro de Aire Limpio (CADR): uno para el humo de tabaco, uno para el polen y uno para el polvo. El CADR indica el volumen de aire filtrado suministrado por un purificador de aire. La razón por la que CADR no está diseñado para Airfree® es porque Airfree® no filtra, sino que destruye los microorganismos en su lugar; tal reducción de bacterias, moho, virus y otros microorganismos solo puede medirse después de una incubación de una muestra de aire en un laboratorio de microbiología. Airfree® destruye (no atrapa ni atrae a otra superficie) cualquier microorganismo independientemente de lo pequeño que sea. El 99,99 % de todos los microorganismos se destruye completamente al pasar a través del núcleo de cerámica patentado de Airfree®.

12. ¿Qué pasa si Airfree® se desconecta o hay un apagón?

Airfree® tomará aproximadamente el mismo tiempo para recuperar el nivel de contaminación reducida anterior.

13. ¿Airfree® elimina las bacterias y los virus?

Sí. A diferencia de los filtros de aire en el mercado, Airfree® es más eficiente con los microorganismos más pequeños, ya que se transportan fácilmente por el flujo de aire de Airfree® hacia el núcleo de cerámica del TSS™. Por favor, compruebe las pruebas de bacterias y virus independientes en nuestro sitio web.

14. ¿Cómo destruye Airfree® los ácaros del polvo?

La reducción de moho en el ambiente causa una reducción en la población de ácaros del polvo que dependen del moho. Airfree® también destruye las toxinas dañinas y los hongos liberados en el aire por las heces y los esqueletos de ácaros del polvo que desencadenan las alergias respiratorias y el asma.

15. ¿Cómo elimina Airfree® los hongos y el moho?

Como se ha señalado antes, Airfree® elimina los microorganismos transportados por el aire, incluido el moho, los hongos y las esporas. Con la eliminación de las esporas, es poco probable que surjan nuevas colonias de moho, lo que se traduce en menos futuras esporas de moho en el aire. Por favor, compruebe las pruebas de moho independientes en nuestro sitio web.

16. ¿Airfree® reduce el olor a tabaco?

Ligeramente.

17. ¿De qué manera Airfree® destruye los virus?

Esos microorganismos microscópicos se eliminan fácilmente dentro de los capilares del núcleo de cerámica de Airfree®. A diferencia de otras tecnologías, cuanto más pequeño el microorganismo, más fácil se destruye dentro de los capilares del núcleo de cerámica de TSS™. Por favor, compruebe la prueba de virus independiente en nuestro sitio web.

18. ¿Airfree® cambia el nivel de humedad en la habitación?

No.

19. ¿Airfree® libera cualquier gas o producto químico?

No. El proceso de esterilización de Airfree® es natural. Por favor, visite nuestro sitio web para pruebas concluyentes con respecto a las partículas y al ozono.

20. ¿Puede Airfree® calentar una habitación?

Airfree® no produce ningún aumento notable en la temperatura de la habitación. Para hacer una comparación, dos dispositivos de Airfree® enchufados en la misma habitación contribuirán en el calor tanto como un adulto de 70 kg.

21. ¿Airfree® necesita sustitución de filtros?

No.

22. ¿El luz nocturna de Airfree® interfiere con la función de esterilización de Airfree®?*

No. El luz nocturna tiene un efecto estético y puede usarse simplemente como una luz nocturna para habitaciones de niños o recién nacidos.

23. ¿A dónde van los microorganismos después de ser destruidos?

Todos los microorganismos vivos están básicamente compuestos de carbono, oxígeno y nitrógeno. Dado que Airfree® alcanza casi los 200 °C, todos los componentes se descomponen en dióxido de carbono (el mismo producto que liberamos al respirar) y agua. Puede que quede algo de carbono (o cenizas microscópicas) en el interior del dispositivo o sobre la tapa superior durante el proceso. Cabe señalar que todo sucede a nivel microscópico, por lo que todos esos residuos suponen una fracción muy pequeña del tamaño microscópico original de los microorganismos, en otras palabras, es insignificante.

24. ¿Cómo funciona el luz nocturna multicolor?*

Esta función ofrece 10 colores claros ajustables, que son el rojo, rosa, violeta, azul, azul claro, verde, amarillo naranja, marrón y gris. Elija su color de luz nocturna favorito y su intensidad o simplemente elija el modo aleatorio y deje que los colores cambien suavemente.

(*) Por favor, lea atentamente las “Características Técnicas” para comprobar qué modelos incorporan las características de luz nocturna o luz nocturna multicolor. () Por favor, lea detenidamente la “Descripción de Airfree®” para confirmar la ubicación correcta del sensor táctil de control de color y de intensidad de luz.**

Garantía

AIRFREE® PRODUCTS garantiza al comprador original que este producto está libre de defectos en el material y la mano de obra bajo uso apropiado durante un período de dos años desde la fecha de compra. Durante este período, y previa presentación de la factura de compra, este producto será reparado o sustituido por un modelo igual o similar sin cargos por las piezas o la mano de obra en la dirección del distribuidor. Para ser apto para la garantía, por favor guarde el recibo de compra. Le recomendamos que registre la garantía de su dispositivo en www.airfree.com. Para obtener el servicio de garantía, envíe el dispositivo con el recibo de compra o factura al distribuidor. Esta garantía no se aplica a un producto que haya sido objeto de un uso indebido, abuso o alteración, sin limitar lo anterior, flexión o caída de la unidad, defectos en la instalación eléctrica de la casa o niveles de potencia fluctuantes que se consideren ser los defectos resultantes del uso indebido o abuso. AIRFREE® PRODUCTS y sus afiliados o comerciantes no hacen ninguna afirmación específica en cuanto a los usos medicinales de este producto ni el fabricante garantiza que el equipo previene enfermedades.

NI ESTA GARANTÍA NI NINGUNA OTRA GARANTÍA, EXPRESA O IMPLÍCITA, INCLUIDAS LAS GARANTÍAS O COMERCIABILIDAD IMPLÍCITAS SE EXTENDERÁN MÁS ALLÁ DEL PERÍODO DE GARANTÍA. NO SE ASUME RESPONSABILIDAD ALGUNA DE CUALQUIER DAÑOS INCIDENTALES O DERIVADOS, ALGUNOS ESTADOS NO ACEPTAN LAS LIMITACIONES DE DURACIÓN DE LAS GARANTÍAS IMPLÍCITAS; ALGUNOS ESTADOS NO ACEPTAN LA EXCLUSIÓN O LIMITACIÓN DE DAÑOS INCIDENTALES O DERIVADOS, DE MODO QUE LAS MENCIONADAS LIMITACIONES O EXCLUSIONES PODRÍAN NO APLICARSE. POR LA PRESENTE AIRFREE® PRODUCTS ESPECÍFICAMENTE RENUNCIA A TODAS LAS GARANTÍAS EXPRESAS NO INDICADAS DE OTRO MODO EN ESTE DOCUMENTO, ASÍ COMO CUALQUIER GARANTÍA O COMERCIABILIDAD IMPLÍCITA O GARANTÍAS IMPLÍCITAS DE ADECUACIÓN PARA UN FIN PARTICULAR. NO EXISTEN GARANTÍAS QUE SE EXTIENDAN MÁS ALLÁ DE LA DESCRIPCIÓN DETALLADA EN EL ANVERSO DEL PRESENTE DOCUMENTO. Esta garantía le otorga derechos legales específicos, a los que pueden sumarse otros derechos legales que varían entre los distintos estados y países.

*AIRFREE® PRODUCTS, Julieta Ferrão 10, 9th Floor, 1600 -131 Lisbon, Portugal

Teléfono: 351 - 213 156 222

Fax: 351 - 213 516 228

Web: www.airfree.com

Correo electrónico: info@airfree.com

Los siguientes modelos son purificadores de aire con certificados CARB.:

P1000 (851866310006)

P2000 (851866320005)

P3000 (851866330004)

IRIS 3000 (851866400066)

IMPORTANT CONSIGNES DE SÉCURITÉ

En installant et en utilisant cet équipement électrique, doit toujours suivre les consignes de sécurité de base, y compris les éléments suivants:

LIRE ET SUIVRE TOUTES LES CONSIGNES.



L'Airfree® n'est pas destiné à être utilisé par des personnes dont les capacités physiques, sensorielles ou mentales sont réduites, ou qui manquent d'expérience ou de connaissances. Les enfants doivent être surveillés pour s'assurer qu'ils ne jouent pas avec l'appareil.



Ne placez pas votre Airfree® en contact direct avec de l'eau ou des liquides, car cela peut causer un choc électrique dangereux pour vous et votre famille, et endommager l'appareil lui-même.



N'obstruez pas les sorties d'air de l'Airfree® avec des objets comme des serviettes, des vêtements ou des rideaux, car cela augmentera la chaleur à l'intérieur du cœur en céramique, ce qui éteindra l'appareil. Si cette condition persiste, un système de coupure générale arrêtera l'alimentation et le circuit imprimé devra être remplacé par un revendeur agréé. Cet incident n'est pas couvert par la garantie Airfree®.



N'essayez pas d'ouvrir l'Airfree® ou de toucher ses composants internes. N'insérez pas d'objets car cela pourrait causer un choc électrique. Toute tentative d'ouvrir ou de modifier l'Airfree® annulera la garantie.



Pour nettoyer l'Airfree®, débranchez-le de la prise électrique et utilisez un chiffon sec pour essuyer sa surface. Ne tentez pas d'ouvrir l'Airfree® pour le nettoyer à l'intérieur, ce qui n'est pas nécessaire.



Gardez toujours l'Airfree® en position verticale, comme indiqué sur l'image. Sinon, l'appareil s'arrêtera jusqu'à ce qu'il soit remis en position verticale. Sur les modèles avec l'option de veilleuse, les voyants d'éclairage du dessus clignoteront et le voyant de marche/arrêt s'éteindra.*



Si le cordon d'alimentation est endommagé, il doit être remplacé par le fabricant, son agent de service ou des personnes également qualifiés, ou tout autre magasin de réparation autorisé pour éviter les situations de danger potentielles. Lorsque vous renvoyez votre Airfree® pour qu'il soit réparé, assurez-vous qu'il est bien protégé et de préférence dans sa boîte d'origine, pour éviter des dommages supplémentaires.



L'Airfree® ne doit pas être placé à proximité de produits inflammables et toxiques.

(*) Lisez attentivement les "Caractéristiques techniques" afin de vérifier quels modèles possèdent les caractéristiques veilleuses ou veilleuses multicolore.

CONSERVEZ CES CONSIGNES

Installation et Branchement



Brancher le cordon d'alimentation dans la prise de courant la plus proche. S'assurer que la surface est plate et sèche (ne jamais placer Airfree® sur un sol humide et ne l'immerger dans l'eau). Bien s'assurer que le Led On/Off soit activé. Sur les modèles qui ont les Lumières de nuit ou de couleurs multiples, vous pouvez choisir la meilleure intensité lumineuse en appuyant sur le capteur de dessus. Après 30 minutes, le couvercle de dessus doit être chaud.*



Placez l'Airfree® sur une surface plane, de préférence à moins de 75 cm du sol et pas sous des meubles, des étagères, ou derrière des rideaux car cela va perturber le flux d'air et l'efficacité de l'Airfree® en termes de réduction et de destruction des micro-organismes.



Vérifiez que la zone est compatible avec la capacité de l'appareil, pour obtenir les meilleures performances possibles. Utiliser l'Airfree® dans des pièces plus grandes que sa capacité réduira considérablement sa capacité de purification.



L'Airfree® doit être en marche en permanence dans la même pièce, 24 heures sur 24. Néanmoins, le retrait temporaire de la pièce permettra une nouvelle contamination des micro-organismes, mais elle sera détruite lorsque l'Airfree® sera rebranché. Plus la période sans Airfree® est longue, plus la nouvelle contamination dans la pièce sera importante.



L'Airfree® doit être utilisé de préférence dans des pièces de plus de 4 m² ou 10 m³.



La climatisation ou la ventilation dans les pièces n'affectera pas l'efficacité de stérilisation de l'air de votre Airfree®. Il en va de même pour les systèmes de chauffage.



L'Airfree® peut être placé dans des couloirs, mais l'efficacité de la stérilisation de l'air sera très réduite dans les pièces communicantes.



Évitez de placer l'appareil près de portes ou de fenêtres ouvertes pour empêcher une partie de l'air stérilisé de quitter la pièce.

Vérifiez si votre Airfree® possède la fonction veilleuses bleue ou veilleuses multicolore.* Si c'est le cas, confirmez l'emplacement correct du capteur tactile de couleur / intensité lumineuse.**

MODÈLES LUMIÈRE UNIQUE (tamisée ou éteinte)

Pour baisser la lumière, touchez simplement le capteur tactile jusqu'à 8 fois jusqu'à ce qu'elle soit éteinte.

LUMIÈRE MULTICOLORE (tamisée, éteinte, couleurs changeantes)

Appuyez plusieurs fois sur le capteur tactile jusqu'à ce que la luminosité désirée soit atteinte ou qu'elle soit éteinte. Pour changer de couleur, il suffit de toucher le même capteur décrit ci-dessus. Chaque pression fera changer la couleur. Pour le mode aléatoire, arrêtez-vous au rose et ne le touchez plus.



(*) Lisez attentivement les "Caractéristiques techniques" afin de vérifier quels modèles possèdent les caractéristiques veilleuses ou veilleuses multicolore. (*) Veuillez lire attentivement la "Description Airfree®" pour confirmer l'emplacement correct du capteur tactile de couleur / intensité lumineuse.**

Ce que l'Airfree® Détruit



Moisissures



Acariens allergènes



Odeurs organiques



Ozone (O₃)



Virus



Squames d'animaux allergènes



Bactéries

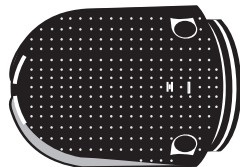
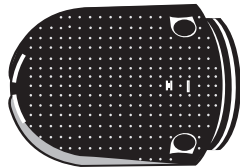
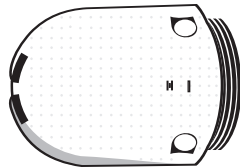
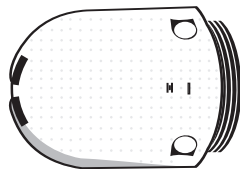


Pollens

Airfree® et la Moisissure

Il est important de souligner que l'Airfree® ne détruira pas ou ne supprimera pas la moisissure des éléments ou surfaces infectés. Ces surfaces doivent être nettoyées manuellement car elles représentent une source continue de nouvelles spores. L'Airfree® détruit les moisissures et les spores en suspension dans l'air et les empêche de contaminer les autres surfaces, en neutralisant le développement de colonies existantes ou nouvelles.

Caractéristiques Techniques



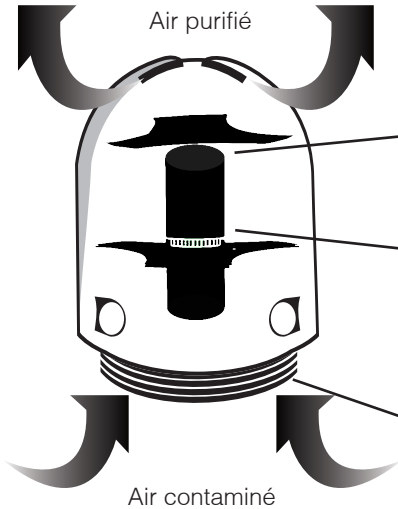
Modèle	P1000	P2000	Onix 3000	Iris 3000
Capacité	42 m ²	51 m ²	60 m ²	
Consommation Electrique	43 W	48 W	51 W	52 W
Tension	120 V			
Bruit	Totalem Silencieux		Totalem Silencieux	
Poids	1,6 kg		1,6 kg	
Dimensions	Hauteur: 26,5 cm Ø: 21,5 cm		Hauteur: 26,5 cm Ø: 21,5 cm	
Couleur	Blanc		Noir	

Veilleuses non disponibles avec les modèles Airfree® P1000/P2000/Onix3000

Veilleuses multicolores disponibles avec les modèles Airfree® Iris 3000

Capteur tactile d'intensité de la lumière/capteur tactile de contrôle des couleurs disponibles avec les modèles Airfree® P1000/P2000/Onix3000/Iris 3000

Comment Airfree® fonctionne-t-il ?



Chambre de refroidissement

L'air refroidi et pur est distribué dans l'environnement sans modification notable de la température et de l'humidité de la pièce.

Noyau de stérilisation en céramique TSS™

À l'intérieur du noyau en céramique, 99,99% de tous les micro-organismes sont détruits.

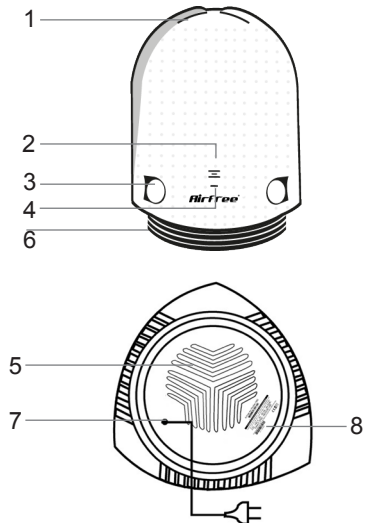
Entrées d'air

L'air contaminé entre dans l'Airfree® par convection de l'air.

Peu importe le degré de dangerosité des virus, champignons ou bactéries, ils sont entièrement détruits par la chaleur puissante à l'intérieur des mini-conduits du noyau en céramique TSS™. La chaleur à l'intérieur du noyau en céramique envoie l'air stérilisé dans l'échangeur de chaleur, provoquant la convection de l'air, ce qui génère une pression négative sous le noyau en céramique et l'air contaminé est donc « aspiré » par les entrées d'air inférieures de l'Airfree® par une circulation d'air continue, efficace et silencieuse.

Description de l'Airfree®

- | |
|---|
| 1- Couvercle supérieur avec sorties d'air et veilleuse bleue/multicolore* |
| 2- Capteur tactile d'intensité de la lumière/capteur tactile de contrôle des couleurs |
| 3- Coques latérales |
| 4- Voyant de marche/arrêt |
| 5- Base |
| 6- Entrées d'air |
| 7- Cordon d'alimentation |
| 8- Numéro de série |



La veilleuse supérieure ne perturbe pas le processus de stérilisation de l'air TSS™ de votre Airfree®. (*) **Lisez attentivement les "Caractéristiques techniques" afin de vérifier quels modèles possèdent les caractéristiques veilleuse ou veilleuse multicolore.**

Foire aux Questions

1. Y a-t-il des effets secondaires ?

Non. La nouvelle technologie Airfree utilise la chaleur pour purifier l'air sans apport de chaleur notable dans la pièce. Aucun effet secondaire, aucune émission, AUCUN ION, ni aucune nouvelle particule n'est générée. L'Airfree® peut être utilisé dans les maisons et les bureaux, pour purifier l'air silencieusement, continuellement et efficacement.

2. Comment puis-je éteindre la veilleuse ou la veilleuse multicolore ?**

Pour savoir comment les baisser ou les éteindre, veuillez consulter la partie « Installation et Branchement » de ce manuel.

3. Les voyants du dessus clignotent. Qu'est-ce que cela signifie ?*

Sur les modèles avec des voyants sur le dessus, cela indique que l'Airfree® n'est pas placé correctement. Assurez-vous que l'appareil est en position verticale.

4. Puis-je installer l'Airfree® dans ma penderie ?

Oui, si la pièce fait plus de 2 x 2 mètres (4 m² ou 10 m³). Sinon, l'appareil pourrait chauffer la penderie.

5. Puis-je utiliser l'Airfree® dans des pièces climatisées ?

Oui.

6. Comment puis-je savoir si l'Airfree® ne fonctionne plus ?

Vérifiez le couvercle supérieur ; s'il est froid, le système de stérilisation ne fonctionne pas. Branchez-le sur une autre prise et assurez-vous que l'appareil est en position verticale pendant au moins 1 minute.

7. Puis-je placer l'Airfree® dans un couloir pour atteindre les pièces adjacentes ?

Non. L'Airfree® réduira uniquement la pollution de l'air dans la zone du couloir.

8. Puis-je placer l'Airfree® dans une pièce fermée ?

Oui. Veuillez garder à l'esprit qu'une telle pièce doit faire au moins 4 m² (10 m³).

9. Dois-je éteindre l'Airfree® lorsque je sors de chez moi ?

Pour obtenir les meilleures performances, nous vous recommandons de toujours garder l'Airfree® allumé. La désactivation de l'appareil arrêtera le processus de stérilisation, permettant à la contamination ambiante de croître.

10. Puis-je faire passer l'Airfree® d'une pièce à une autre ?

L'Airfree® doit toujours être branché dans la même pièce 24 heures sur 24. La technologie brevetée de l'Airfree fonctionne progressivement ; ainsi, lorsque vous le faites passer dans une autre pièce, la contamination dans la pièce d'origine va commencer à augmenter.

11. Le CADR (débit d'air purifié) mesure-t-il l'efficacité de l'Airfree® ?

Pas du tout. Le CADR n'est pas conçu pour tester la technologie Airfree®. Le sceau de l'AHAM (qui se trouve habituellement sur l'arrière de la boîte à filtre à air) répertorie trois numéros du Clean Air Delivery Rate (CADR) : un pour la fumée de tabac, un pour le pollen et un pour la poussière. Le CADR indique le volume d'air filtré, envoyé par un filtre à air. La raison pour laquelle le CADR n'est pas conçu pour l'Airfree® est que l'Airfree® ne filtre pas, mais détruit les micro-organismes, et une telle réduction des bactéries, des moisissures, des virus et d'autres micro-organismes ne peut être mesurée que par l'incubation d'un échantillon d'air dans un laboratoire de microbiologie. L'Airfree® détruit (ne piège pas ou n'attire pas sur d'autres surfaces) les micro-organismes, aussi petits qu'ils puissent être. 99,99 % de tous les micro-organismes sont entièrement détruits lors du passage dans le noyau en céramique breveté Airfree®.

12. Que se passe-t-il si l'Airfree® est débranché ou s'il y a une panne de courant ?

L'Airfree® prendra à peu près le même temps pour revenir au niveau précédent de réduction de la contamination

13. L’Airfree® élimine-t-il les bactéries et les virus ?

Oui. À la différence des filtres à air sur le marché, l’Airfree® est plus efficace avec les plus petits micro-organismes car ils ont plus facilement transportés par la circulation d’air de l’Airfree® dans le noyau en céramique stérilisant TSS™. Veuillez consulter les essais indépendants relatifs aux bactéries et aux virus sur notre site internet.

14. Comment l’Airfree® détruit-il les acariens ?

La réduction de la moisissure dans l’environnement entraîne la réduction de la population des acariens qui dépend de la moisissure. L’Airfree® détruit également les toxines nocives et les champignons libérés dans l’air par les excréments et les squelettes d’acariens qui déclenchent des allergies respiratoires et de l’asthme.

15. Comment l’Airfree® élimine-t-il les champignons et les moisissures ?

Comme mentionné précédemment, l’Airfree® élimine les micro-organismes en suspension dans l’air tels que les moisissures, les champignons et les spores. En éliminant les spores, les nouvelles colonies de moisissure sont peu susceptibles de se développer, ce qui représente moins de futures moisissures en suspension dans l’air. Veuillez consulter les essais indépendants relatifs à la moisissure sur notre site internet.

16. L’Airfree® réduit-il l’odeur de tabac ?

Légèrement.

17. Comment l’Airfree® détruit-il les virus ?

Ces micro-organismes microscopiques sont facilement éliminés à l’intérieur des capillaires centrales en céramique d’Airfree®. Contrairement à d’autres technologies, plus les micro-organismes sont petits, plus ils sont faciles à détruire à l’intérieur des capillaires centrales en céramique TSS™. Veuillez consulter les essais indépendants relatifs aux virus sur notre site internet. Ces micro-organismes microscopiques sont facilement éliminés à l’intérieur des capillaires centrales en céramique d’Airfree®. Contrairement à d’autres technologies, plus les micro-organismes sont petits, plus ils sont faciles à détruire à l’intérieur des capillaires centrales en céramique TSS™. Veuillez consulter les essais indépendants relatifs aux virus sur notre site internet.

18. L’Airfree® modifie-t-il le niveau d’humidité dans la pièce ?

Non.

19. L’Airfree® libère-t-il des gaz ou des produits chimiques ?

Non. Le procédé de stérilisation Airfree® est naturel. Veuillez visiter notre site internet pour consulter les essais concluants concernant les particules et l’ozone.

20. L’Airfree® réchauffe-t-il une pièce ?

L’Airfree® ne génère aucune augmentation notable de la température de la pièce. À des fins de comparaison, deux appareils Airfree® branchés dans la même pièce produiront autant de chaleur qu’un adulte de 70 kg.

21. Les filtres de l’Airfree® doivent-ils être changés ?

Non.

22. La veilleuse de l’Airfree® perturbe-t-elle la fonction de stérilisation de l’Airfree® ?*

Non. La veilleuse a un effet esthétique et elle peut tout simplement servir de veilleuse dans les chambres de nouveau-nés ou d’enfants.

23. Où vont les micro-organismes après leur destruction ?

Tous les micro-organismes vivants sont essentiellement composés de carbone, d'oxygène et d'azote. Puisque l'Airfree® atteint près de 200 °C, tous les composants se décomposent en dioxyde de carbone (le même produit libéré par notre respiration) et en eau. Certains carbones (ou cendres microscopiques) peuvent rester à l'intérieur de l'appareil ou sur le couvercle pendant le processus. Il convient de noter que tout se passe à une échelle microscopique, donc tous ces résidus sont une très petite fraction de la taille microscopique originale des micro-organismes, c'est-à-dire insignifiants.

24. Comment la veilleuse multicolore fonctionne-t-elle ?**

Cette fonction offre 10 couleurs de lumière réglables, à savoir rouge, rose, violet, bleu, bleu clair, vert, jaune, orange, marron et gris. Choisissez votre couleur de veilleuse préférée et son intensité, ou choisissez simplement le mode aléatoire et les couleurs changeront doucement.

(*) Lisez attentivement les “Caractéristiques techniques” afin de vérifier quels modèles possèdent les caractéristiques veilleuses ou veilleuses multicolore. ()** Veuillez lire attentivement la “Description Airfree®” pour confirmer l'emplacement correct du capteur tactile de couleur / intensité lumineuse.

Garantie

Ce produit est garanti par AIRFREE® PRODUCTS, vis-à-vis de l'acheteur original, comme étant exempt de défauts de matériaux et de fabrication, sous réserve d'une utilisation appropriée, pour une période de deux ans à compter de la date d'achat. Pendant cette période, et sur présentation de la facture comme preuve d'achat, ce produit sera réparé ou remplacé par un modèle identique ou similaire, sans frais pour les pièces ou la main-d'œuvre, à l'adresse du distributeur. Pour bénéficier de la garantie, veuillez conserver votre ticket de caisse. Nous vous conseillons d'enregistrer la garantie de votre appareil sur www.airfree.com. Pour obtenir le service de garantie, veuillez envoyer l'appareil au distributeur, avec le ticket de caisse ou la facture. Cette garantie ne s'applique pas à un produit qui a été mal utilisé, abusé ou altéré, sans limite de ce qui précède, qui a été plié ou qui est tombé, qui a subi les anomalies de l'installation électrique de la maison ou des niveaux de puissance fluctuants qui sont considérés comme des défauts résultant d'une mauvaise utilisation ou d'un abus. AIRFREE® PRODUCTS ainsi que ses sociétés affiliées et ses grossistes ne font pas de revendication particulière quant aux usages médicaux de ce produit, pas plus que le fabricant ne garantit que l'équipement prévient des maladies.

NI CETTE GARANTIE, NI AUCUNE GARANTIE, EXPLICITE OU IMPLICITE, TELLES QUE LES GARANTIES IMPLICITES OU DE VALEUR MARCHANDE, NE DOIT DÉPASSER LA PÉRIODE DE GARANTIE. AUCUNE RESPONSABILITÉ N'EST ASSUMÉE POUR TOUT DOMMAGE DIRECT OU INDIRECT, CERTAINS ÉTATS N'AUTORISENT PAS LA LIMITATION DE DURÉE D'UNE GARANTIE IMPLICITE; CERTAINS ÉTATS N'AUTORISENT PAS L'EXCLUSION OU LA LIMITATION DES DOMMAGES DIRECTS OU INDIRECTS, DONC LES LIMITATIONS OU EXCLUSIONS CI-DESSUS PEUVENT NE PAS VOUS CONCERNER, AIRFREE® PRODUCTS EXCLUT SPÉCIFIQUEMENT TOUTE GARANTIE FORMELLE NON DÉCRITE AILLEURS DANS LE PRÉSENT DOCUMENT ET TOUTE GARANTIE IMPLICITE OU DE QUALITÉ MARCHANDE POUR S'ADAPTER À USAGE PARTICULIER. IL N'Y A AUCUNE GARANTIE QUI DÉPASSE LA DESCRIPTION DE LA PRÉSENTE. Cette garantie vous donne des droits légaux spécifiques, et vous pouvez disposer d'autres droits, qui varient selon les états et les pays.

*AIRFREE® PRODUCTS, Julieta Ferrão 10, 9th Floor, 1600 -131 Lisbon, Portugal

Téléphone : 351 - 213 156 222

Fax: 351 - 213 516 228

Web: www.airfree.com

E-mail: info@airfree.com

Les modèles suivants sont des filtres à air certifiés par CARB:

P1000 (851866310006)

P2000 (851866320005)

P3000 (851866330004)

IRIS 3000 (851866400066)