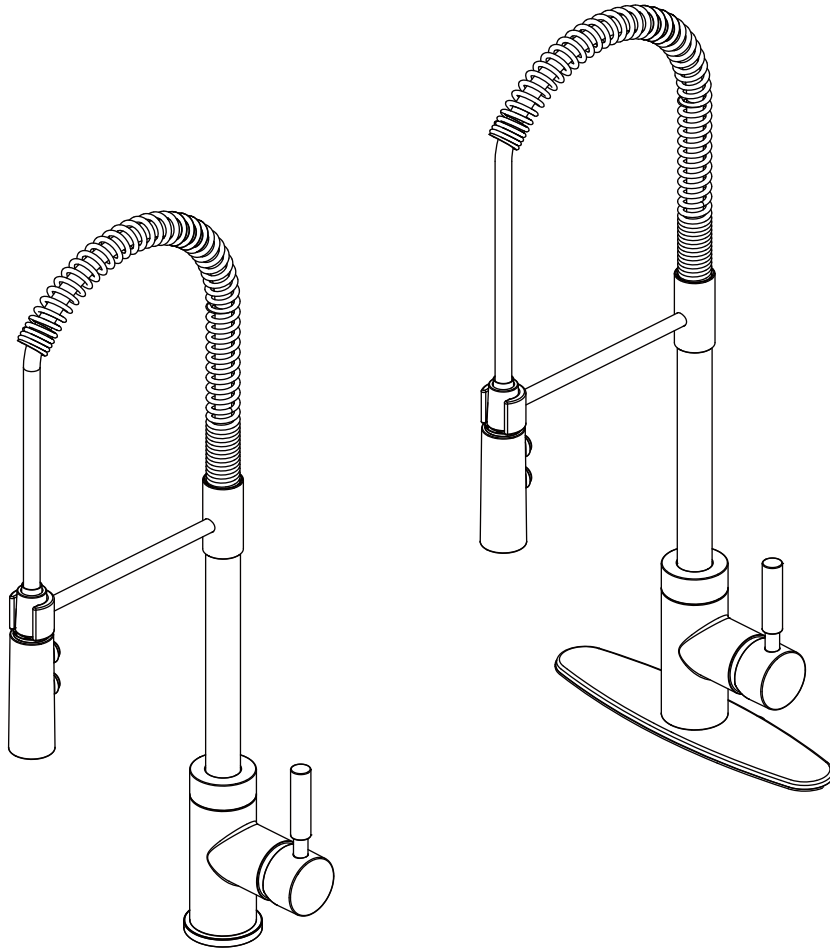


# Installation Instruction

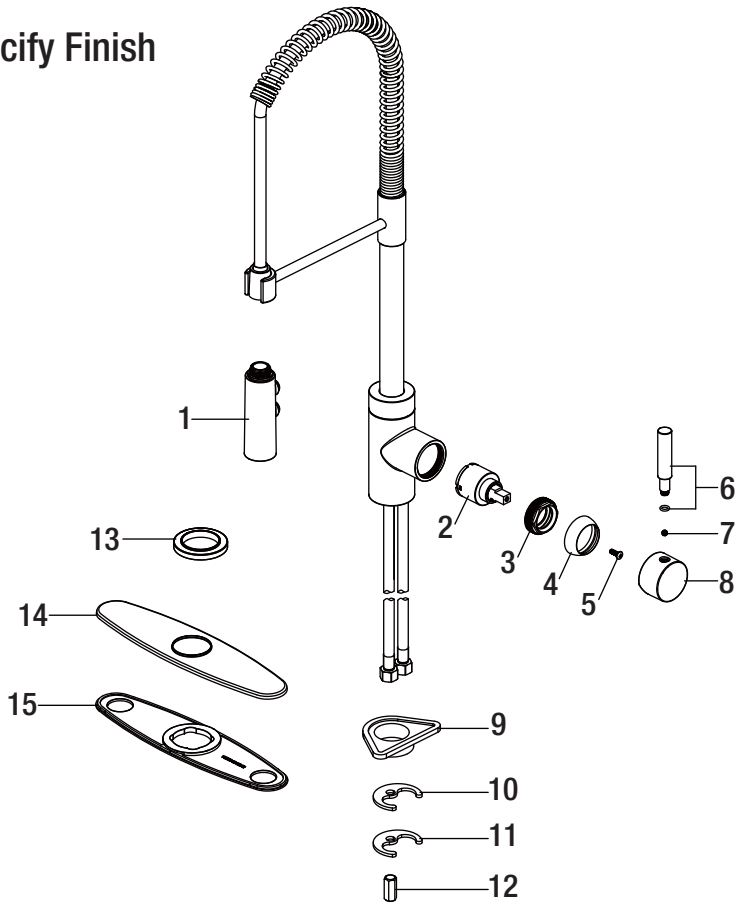
## SINGLE-HANDLE KITCHEN FAUCET



**Model: 67556-0308D2**

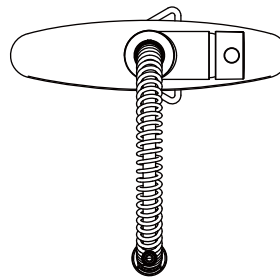
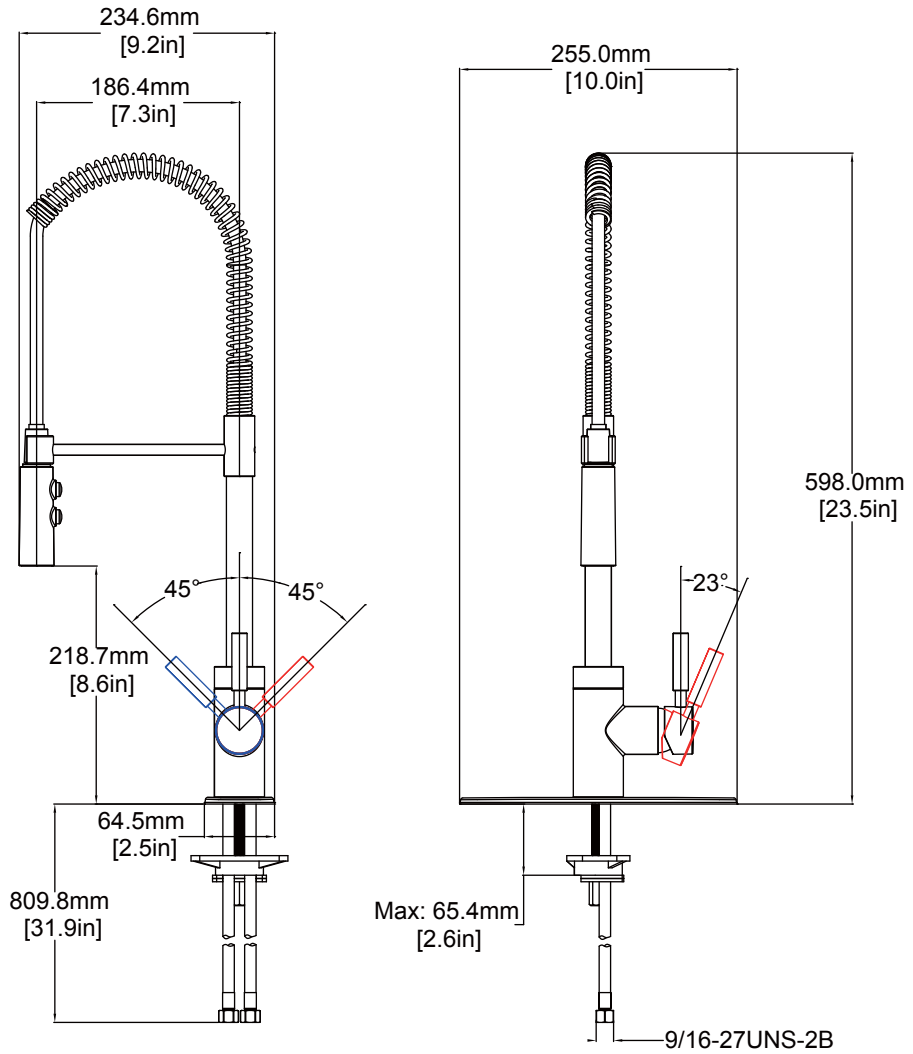
**SKU: 7556BN**

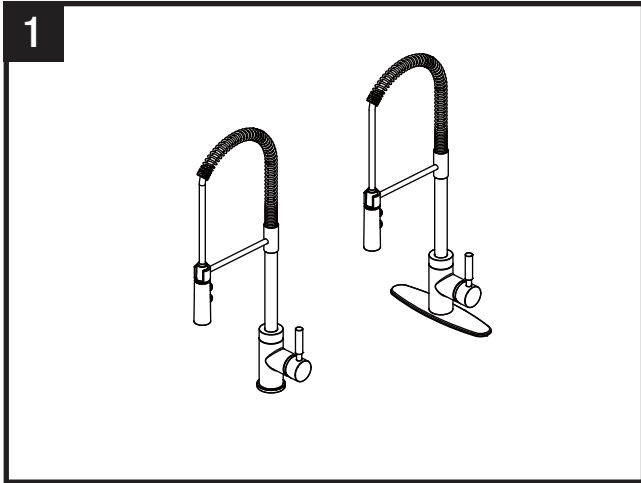
**\*Specify Finish**



PART PIÈCE	DESCRIPTION DESCRIPTION	PART# N ° DE PIECE
1	Spray head / Cabezal del rociador	RP3812008D2
2	Cartridge / Cartucho	RP20005
3	Bonnet / Bonete	RP70159
4	Cap / Tapa	RP8013208D2
5	Screw / Tornillo	RP50015
6	Handle & O-ring / Llave y aro tórico	RP1325708D2
7	Set screw / Tornillo de fijación	RP50002
8	Handle seat / Asiento de la llave	RP1707508D2
9	Mounting bracket / Soporte de montaje	RP70244
10	Rubber washer / Arandela de goma	RP64045
11	Metal washer / Arandela metálica	RP64046
12	Nut / Tuerca	RP56065
13	Flange / Brida	RP8007908D2
14	Escutcheon / Placa protectora	RP8051408D2
15	Base plate / Placa base	RP70188

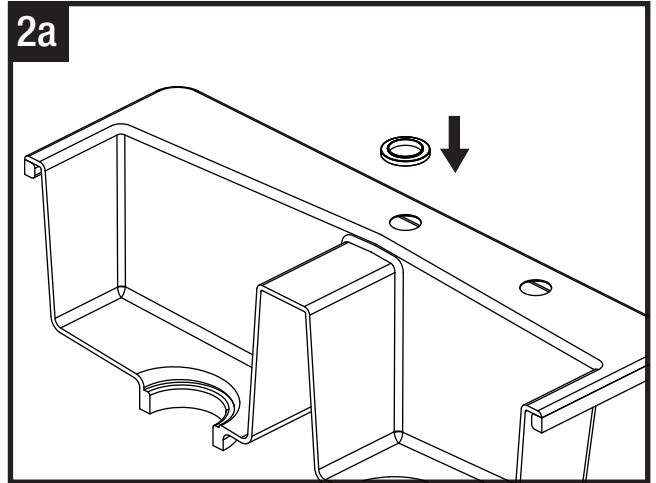
# Product Dimension Drawing





This faucet can be installed as 4 hole installation with the escutcheon or as 2 hole installation with flange. If using flange, begin with step 2a. If using escutcheon, begin with step 2b.

Este grifo se puede instalar con cuatro orificios con la placa ornamental o con un dos orificio con un reborde. Si utiliza un reborde, comience con el paso 2a. Si utiliza una placa ornamental, comience con el paso 2b.

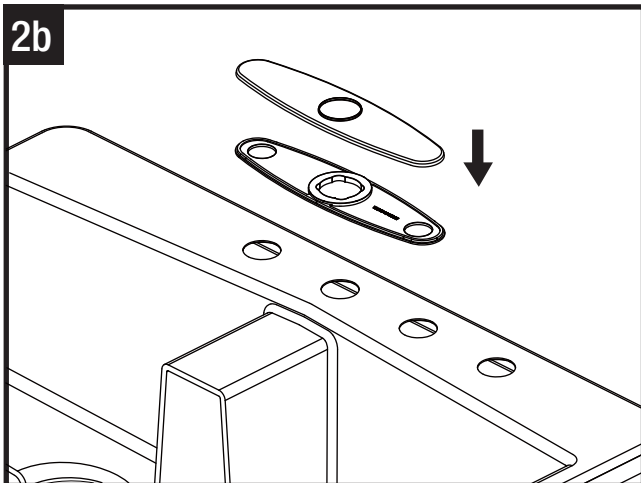


#### Optional Flange Installation

Shut off water supplies. Remove old faucet. Place flange on the sink. Proceed to Step 3a.

#### Instalación del Reborde Opcional

Corte el suministro de agua. Retire el grifo viejo. Coloque el reborde en el fregadero. Siga con el Paso 3a.



#### Optional Escutcheon Installation

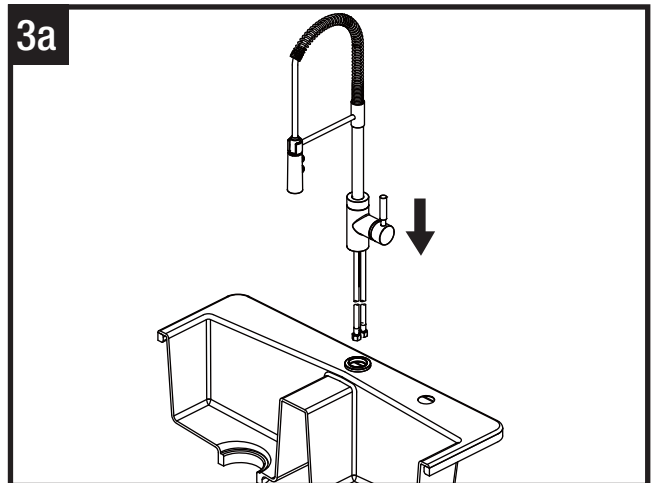
Shut off water supplies. Remove old faucet. Install escutcheon over the three holes in the sink. Proceed to Step 3b.

NOTE: If the sink is uneven, use silicone under the base plate.

#### Instalación de la Placa Ornamental Opcional

Corte el suministro de agua. Retire el grifo viejo. Coloque la placa ornamental sobre los tres orificios del fregadero. Siga con el Paso 3b.

NOTA: Si el fregadero es irregular, usa silicona debajo de la placa base.

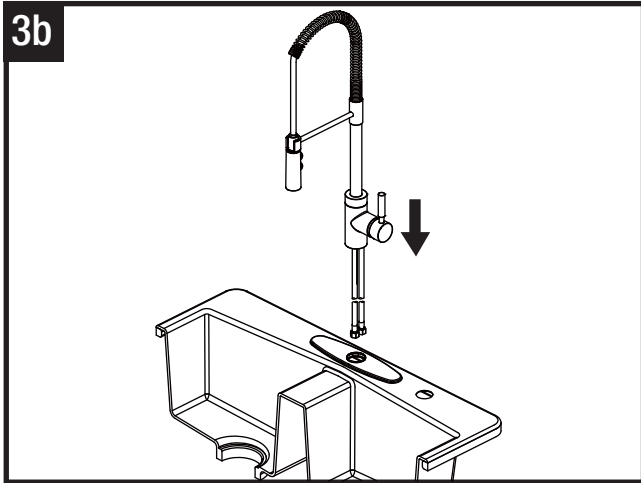


#### Optional Flange Installation

Insert faucet body through the hole in flange.

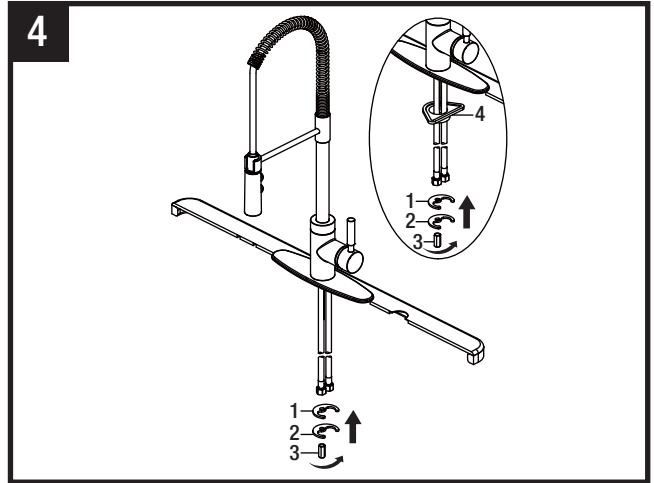
#### Instalación del Reborde Opcional

Inserte el cuerpo del grifo en el orificio de la del reborde.



**Optional Escutcheon Installation**  
Insert faucet body through the hole in escutcheon.

**Instalación de la Placa Ornamental Opcional**  
Inserte el cuerpo del grifo en el orificio de la placa ornamental.

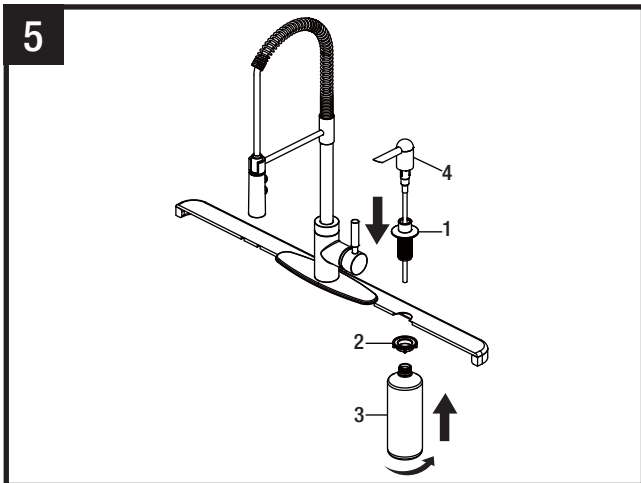


From underside, install the rubber washer (1), metal washer (2) and nut (3) onto the bolt. Firmly tighten the nut. Do not overtighten.  
**NOTE:** The mounting bracket (4) only needs to be used if installing onto a sink or countertop less than 3/4". Otherwise it can be discarded.

Desde la parte inferior, instala la arandela de goma (1), la arandela de metal (2) y la tuerca (3) en el perno. Ajusta firmemente la tuerca. No aprietes demasiado.

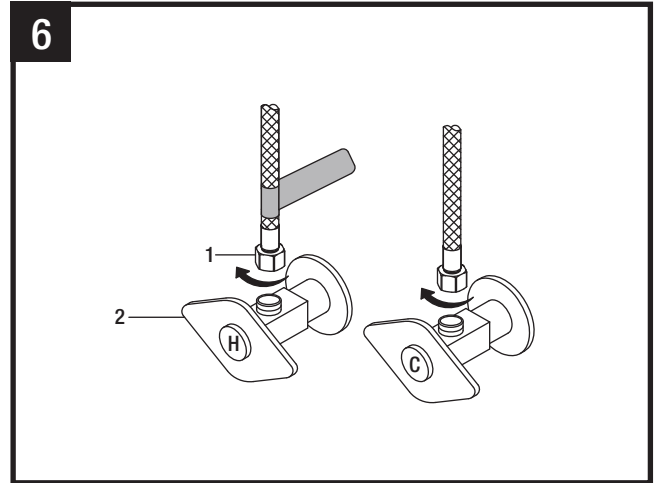
**NOTA:** Sólo necesitas usar el soporte de montaje (4) si vas a instalarlo en un fregadero o mostrador de menos de 1.9 cm. De lo contrario, puedes desecharlo.

**For models with included soap dispenser:**



Insert the body assembly (1) through the selected hole in the sink. Secure the body assembly to the sink with the nut (2). From under the sink, screw the bottle (3) onto the body assembly (1) shank. Insert the pump (4) down into the body assembly (1).

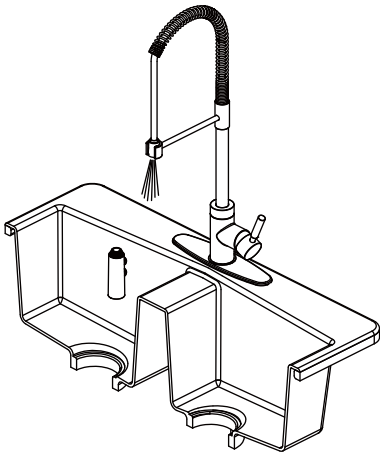
Coloca la pieza ensamblada (1) a través del orificio seleccionado en el fregadero. Asegura el ensamblaje del cuerpo al fregadero con la tuerca (2). Desde abajo del fregadero enrosca la botella (3) en el vástago del ensamblaje (1) del cuerpo. Inserta la bomba (4) en el ensamblaje (1) del cuerpo.



Thread the nut (1) on the supply line onto the outlet of the water supply valve (2) and tighten with a wrench. Do not overtighten.  
**NOTE:** The hot side inlet tube is indicated by a label. Avoid twisting wires together or placing the wires close to each other and damaging.

Enrosca la tuerca (1) de la línea de suministro en la salida de la válvula de suministro de agua (2) y aprieta con una llave. No aprietes demasiado.

**NOTA:** El tubo de entrada del agua caliente se identifica con una etiqueta. Evita enrosca los cables juntos o colocarlos cerca y evita dañarlos.

**7**

**IMPORTANT:** After installation is completed, turn on the hot and cold water supplies. Check for leaks. Pull the hose assembly out of the spout and remove the spray head by unscrewing it from the hose in a counterclockwise direction. Be sure to hold the end of the hose down into the sink and turn the faucet on to the warm position where it mixes hot and cold water. Flush the water lines for one minute. This flushes away any debris that could cause damage to internal parts. Check for leaks. Re-tighten any connections if necessary, but do not overtighten. Reinstall the spray head by hand tightening it back onto the spray hose.

**IMPORTANTE:** Luego de terminar la instalación, abra los suministros de agua caliente y fría. Retira del caño el ensamblaje de la manguera y retira el cabezal del rociador desenroscándolo de la manguera en el sentido contrario a las manecillas del reloj. Asegúrate de sostener el extremo de la manguera hacia abajo en el fregadero y gira el grifo a la posición de agua tibia donde mezcla el agua caliente y la fría. Deja que corra el agua por un minuto. Esto enjuagará cualquier suciedad que podría dañar las piezas internas. Verifica que no haya filtraciones. Vuelve a ajustar las conexiones que lo necesiten, pero sin apretar demasiado. Vuelve a instalar el cabezal del rociador ajustándolo a mano en la manguera del rociador.

# Cleaning Recommendations

Today, modern sanitary and kitchen tapware, showers, accessories, washstands, tubs and consist of very different materials to comply with the needs of the market with regard to design and functionality.

To avoid damage and product failures and not void Warranty please follow the below guideline.

- Only use cleaning material which is explicitly provided for this type of application.
- Never use cleaning materials, which contain hydrochloric acid, formic acid, chlorine pale lye or acetic acid, as they cause considerable damage.
- Phosphorus acidic cleaners are only conditionally applicable.
- Mixing cleaning agents is not permitted, generally.
- Never use cleaning materials or appliances with an abrasive effect, such as unsuitable cleaning powders, sponge pads or micro fiber cloths.
- The instructions of the cleaning agent manufacturers have to be followed absolutely.
- Cleaning has to be carried out with a specified cleaner dosage, contact time, object-related and adapted to the needs.
- The building up of calcifications has to be removed by cleaning regularly.
- When using spray cleaners, spray the cleaning solution onto a soft cloth or sponge, never directly onto the actual faucet, as the atomized spray could enter openings and gaps in the faucet product and cause damage.
- After cleaning rinse thoroughly with clean water to remove any cleaner residue.
- The use of steam cleaners is not permitted. The high temperatures can damage the products.

•Water hose supply lines should be inspected monthly for abrasions to the lines and any bulges that could indicate weakness to the lines. These types of issues can cause ruptures to the supply lines that would cause flooding/damage. Do your part and regularly inspect your water supply lines.

## Important

Residues of toiletries such as liquid soaps, shampoos and shower gels, hair dyes, perfumes, aftershave and nail varnish can also cause damage.

Here too: Carefully rinse with water after use to remove residues. Likewise, do not store any cleaning agents or chemicals under the products, for example in a vanity unit, as the vapors may damage the products.

Components with damaged surfaces must be exchanged, otherwise there could be an injury danger. Damage caused by improper treatment will not be covered by our warranty.

# Limited Lifetime Faucet Warranty

## LIMITED CONSUMER WARRANTY

This product has been manufactured and tested to the highest quality standards. This warranty is limited to products that are purchased by a consumer in the United States or Canada after June 1, 2017, and installed in either the United States or in Canada.

## WHO IS COVERED BY THE WARRANTY

This warranty extends to the original purchaser only. This warranty is non-transferable.

## WHAT IS COVERED BY THE WARRANTY

The warranty covers products against defects in material or workmanship as follows: The manufacturer will replace at no charge for parts only or, at its option, replace any product or part of the product that proves defective because of improper workmanship and/or material, under normal installation, use, service and maintenance. If the manufacturer is unable to provide a replacement and repair is not practical or cannot be made in a timely fashion, the manufacturer may elect to refund the purchase price in exchange for the return of the product.

## LENGTH OF WARRANTY

Replacement or repaired parts of products will be covered for the term of this warranty, as stated in the following sentences. If you are a consumer who purchased the product for use primarily for personal, family or household purposes, this warranty extends for limited lifetime. If you purchased the product for use for any other purpose, including, without limitation, a commercial or industrial application purpose, this warranty is void. Any commercial or Industrial use will automatically void this warranty.

The manufacturer warrants the spray assembly component of the product to be free from defects in workmanship and materials under normal use and service for a period of one (1) year from the initial date of purchase by the owner and end-user, contractor or builder or from an authorized dealer.

The manufacturer reserves the right to modify this warranty at any time, it being understood that such modifications will not alter the warranty conditions applicable at the time of sale of the products in question.

This warranty does not apply unless the product is installed by a fully insured and licensed professional. The manufacturer strongly recommends that such licensed professionals have experience in the installation of bathroom and kitchen products. Installation of certain products, including without limitation glass products, by a non-professional may result in glass breakage and possibly personal injury or death.

The manufacturer is not liable for personal injuries or death to any person or for any direct, special, incidental or consequential damage, loss of time, loss of profits, inconvenience, incidental expenses, labor or material charges, or any other costs resulting from the use of this product or equipment or pertaining to the application of the present warranty, or resulting from the removal or replacement of any product or element or part covered by the warranty.

EXCEPT AS OTHERWISE PROVIDED ABOVE, THE MANUFACTURER MAKES NO WARRANTIES, EXPRESS OR IMPLIED, INCLUDING WARRANTIES OF MERCHANTABILITY AND FITNESS FOR A PARTICULAR PURPOSE OR COMPLIANCE WITH ANY CODE.

To obtain warranty or any information on the products, please contact the manufacturer directly.