

MODEL:

SRW12U

SmartRack® Wall-Mount Rack Enclosure Cabinet



12 Rack Units



200 lb Load Rating



Sturdy Steel Construction



Locking Doors & Side Panels



Standard EIA 310-E 19" Rack Width



Convenient Cable Access



Adjustable Mounting Rails



Ventilated for Ample Airflow



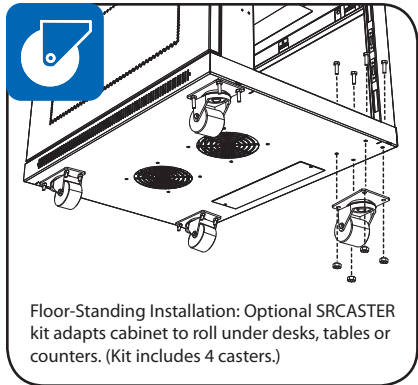
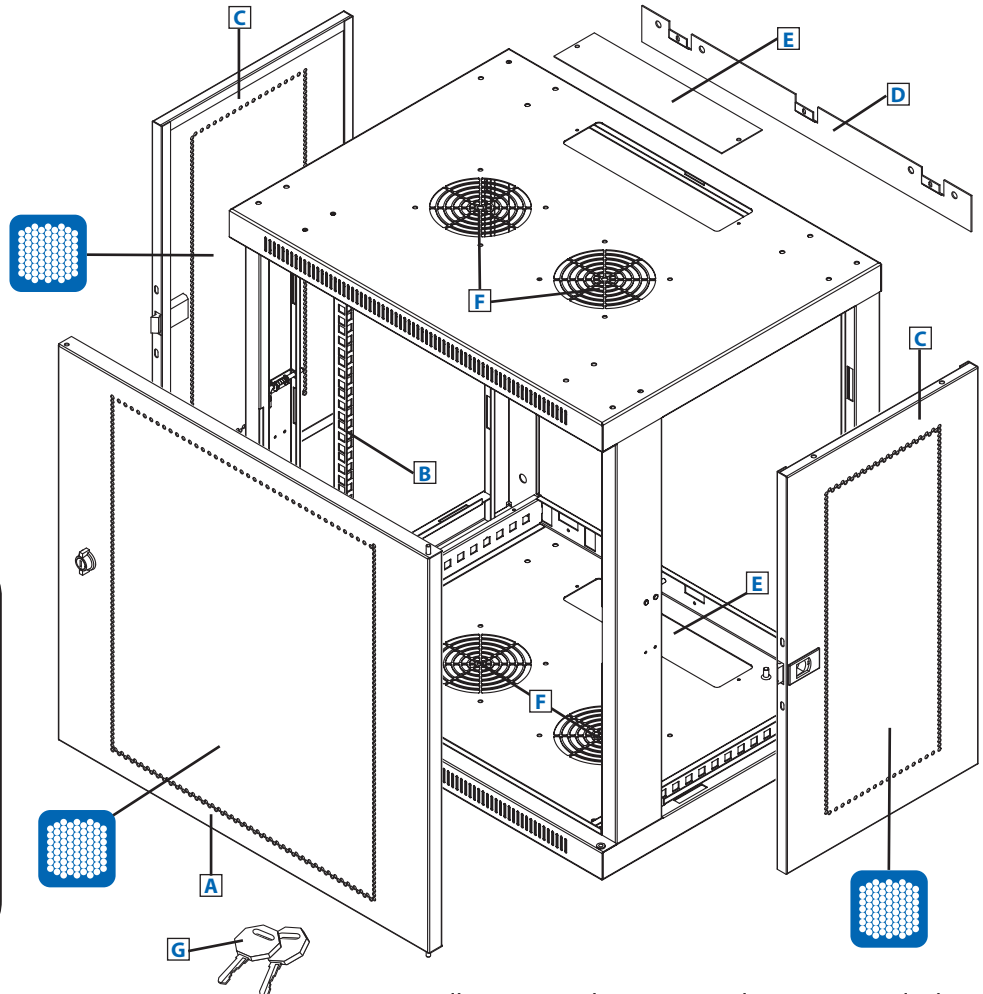
Reversible Cabinet



Square Hole Mounting

- A** Front Door (Lockable/Removable/Reversible)
- B** Adjustable Mounting Rails (2)
- C** Side Panels (2) (Lockable/Removable)
- D** Mounting Plate (Removable. Includes mounting hooks for cabinet.)
- E** Cable Access Port Covers (2) (Removable)
- F** Ventilation Fan Ports (4) (Support optional SRFANWM fan kit.)
- G** Keys (2)

Also Includes: Owner's manual, mounting plate screws (3), cabinet ground screw, pre-installed front door ground wire and rackmount equipment mounting hardware (12 cage nuts, 12 mounting screws, 12 nylon cup washers).



Floor-Standing Installation: Optional SRCASTER kit adapts cabinet to roll under desks, tables or counters. (Kit includes 4 casters.)

- Wall-mount enclosures provide convenient, locking storage for rackmount IT devices and other equipment that should be off the floor, out of the way and secure
- The cabinet is fully reversible, allowing installers to change door hinges from left to right by simply rotating the unit 180 degrees before mounting

SEE NEXT PAGE FOR DETAILED UNIT MEASUREMENTS



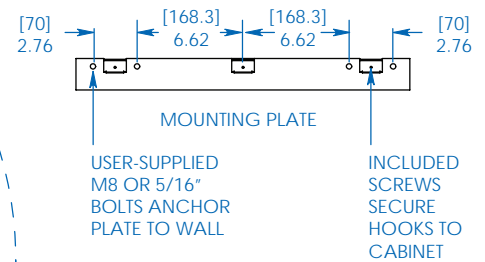
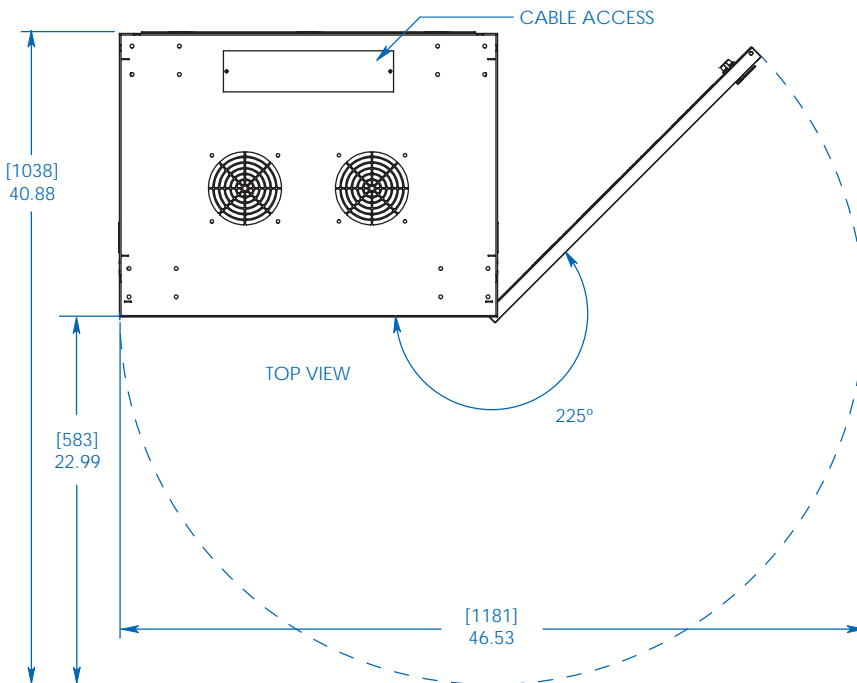
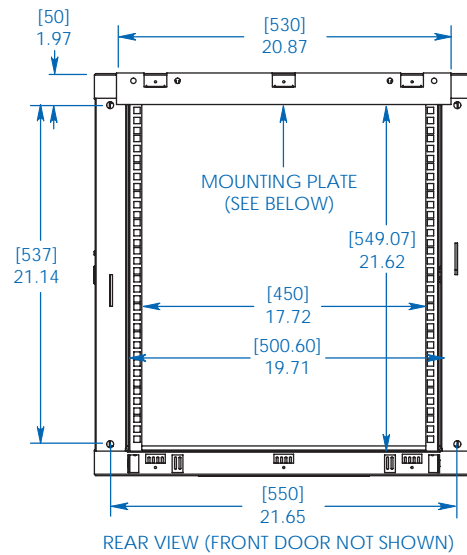
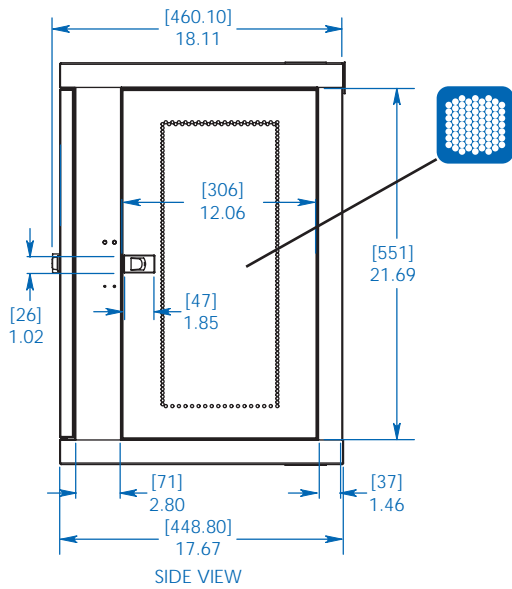
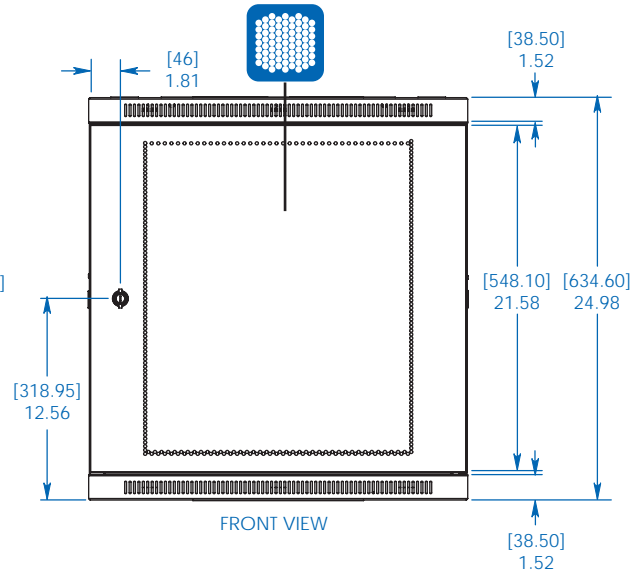
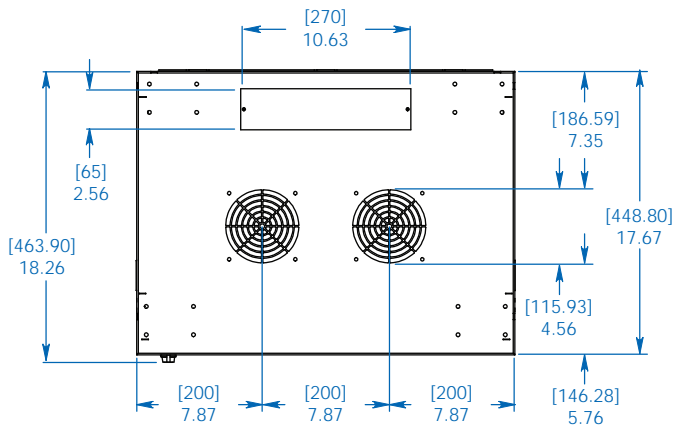
1111 W. 35th Street
Chicago, IL 60609 USA
773.869.1234
www.tripplite.com

Specifications

Model	SRW12U
Rack Spaces	12U
Equipment Mounting Depth	Up to 16.5 in (419 mm)
Load Rating*	200 lb (90.7 kg)
Unit Dimensions (H x W x D)	24.98 x 23.61 x 17.67 in (634.60 x 600 x 448.80 mm)
Shipping Dimensions (H x W x D)	27.95 x 26.38 x 20.67 in (710 x 670 x 525 mm)
Unit Weight	48.5 lb (22 kg)
Shipping Weight	55.1 lb (25 kg)
Regulatory Compliance	Meets EIA-310-E, NOM, RoHS and PCI-DSS standards

* The load rating includes the combined weight of the unit and installed equipment. The unit must be mounted to a stable surface with user-supplied anchors capable of bearing the full load. Tripp Lite has a policy of continuous improvement. Specifications are subject to change without notice.





MODEL:
SRW12U

TRIPP-LITE

1111 W. 35th Street
Chicago, IL 60609 USA
773.869.1234
www.tripplite.com

Dimensions: [mm] INCHES

Tripp Lite has a policy of continuous improvement. Specifications are subject to change without notice.