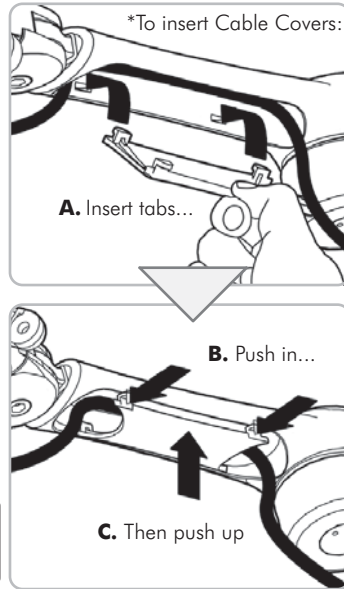
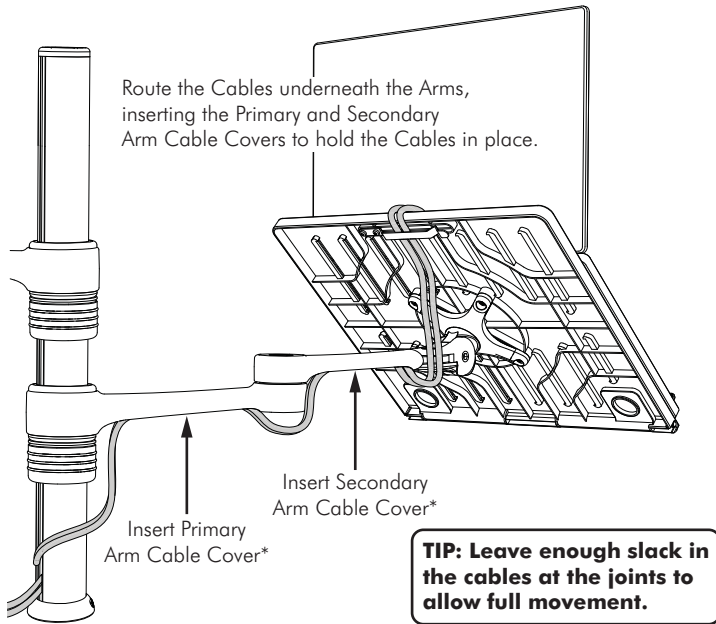


Step 7. Cable Management - Ensure Arm is fully extended.



IMPORTANT:
The "User Operating Card" must be left with Visidec Focus Articulated Arm once installed.

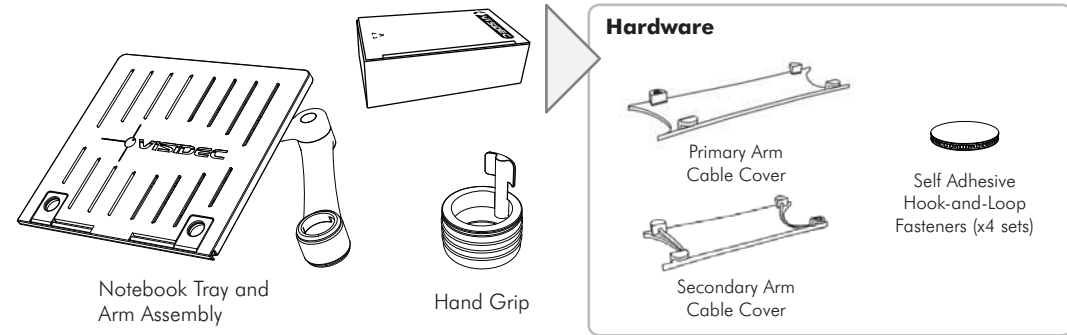
VF-AT-NK

Installation Instructions



Focus Notebook Mount Accessory

Component Checklist

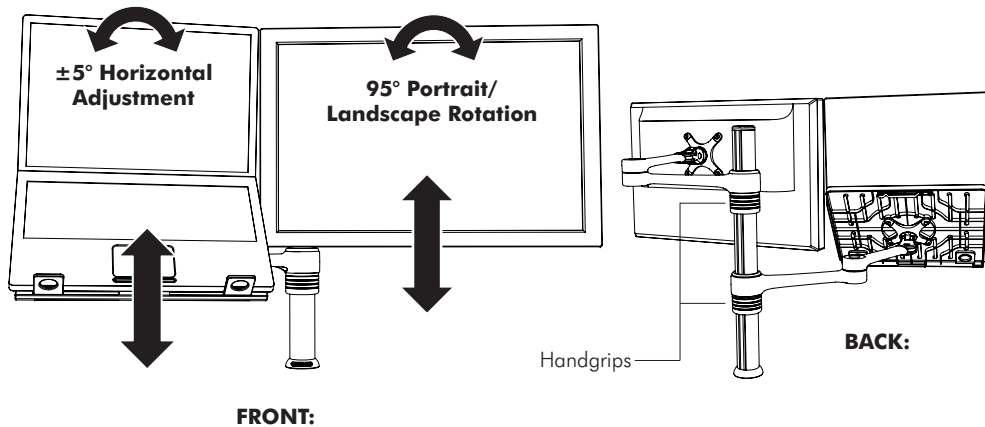


IMPORTANT INFORMATION

- ! **IMPORTANT - Install Visidec Focus Notebook Mount as per Installation Instructions.**
- ! **This product is designed to be used in conjunction with an external keyboard and mouse.**
- ! **To be used with existing Visidec Focus Mount.**
- ! Visidec Focus Notebook Mount supports Notebooks up to 18", weighing up to 8kg (17 1/2lbs).
- ! The Manufacturer accepts no responsibility for incorrect installation.

Step 8. Display Alignment

Set the height and position of the Notebook Tray and Monitor as desired. The height can be adjusted by unlocking the Handgrips (see Steps 3, D and E). For the optimal position of your display, refer to the Ergonomic Guidelines in your 'User Operating Card'.



Installation Complete

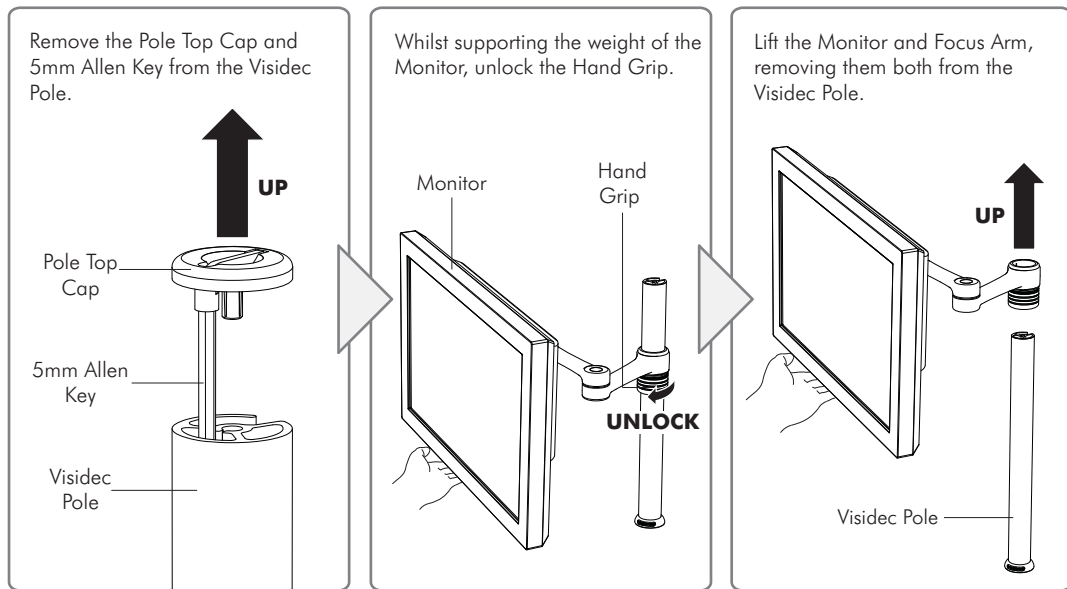
Your Visidec Focus Notebook Mount installation is complete and ready for use.



Step 1. Check Components

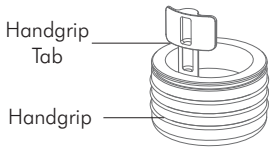
Check you have received all parts against the Component Checklist and Hardware above.

Step 2. Remove existing Arm and Monitor from Visidec Pole (ensure monitor cables are unplugged)

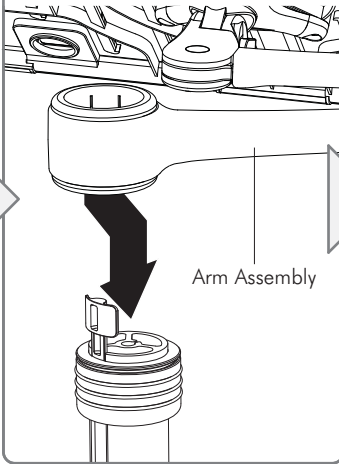


Step 3. Attach the new Arm Assembly onto the Visidec Pole

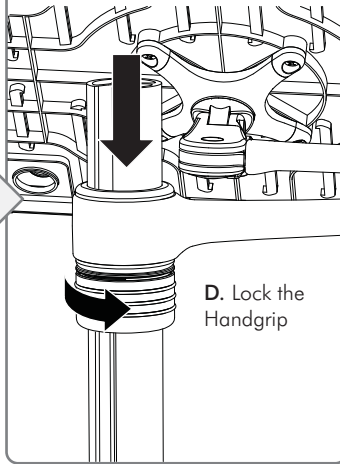
A. Slide the Handgrip onto the top of the Visidec Pole so the Handgrip Tab protrudes.



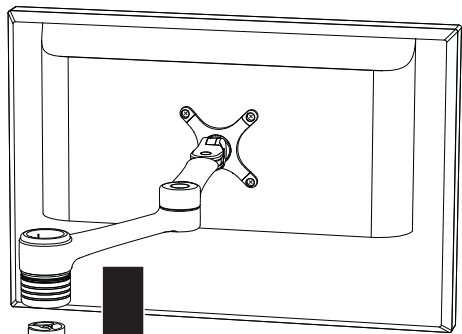
B. Slip the Arm Assembly over the Handgrip Tab and then onto the Visidec Pole.



C. Slide the Arm Assembly towards the base of the Visidec Pole.

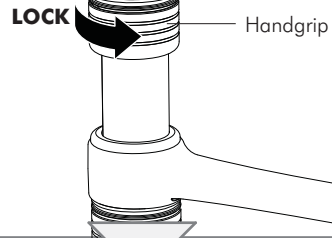


Step 4. Re-install the existing Arm and Monitor

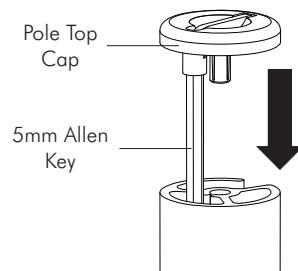


A. Slide the existing Arm and Monitor onto the Visidec Pole.

B. Lock the Monitor Arm Handgrip.



C. Replace the Pole Tap Cap and 5mm Allen Key, inserting them into the top of the Visidec Pole.



Step 5. Install the Notebook Computer

A. Adjust the Support Tabs to suit the width of your Notebook Computer.

NOTE: Ensure that the Support Tabs do not obstruct any cable ports.

B. To increase stability, use the Self Adhesive Hook-and-Loop Fasteners supplied:

- Peel off the backing paper from the Fasteners.
- Attach Fasteners to your Notebook Computer and the Notebook Tray.
- Ensure that each set of Fasteners are correctly aligned, i.e. Hook to Loop.

Fasteners (Hook x4)

Fasteners (Loop x4)

Notebook Tray

Notebook Computer

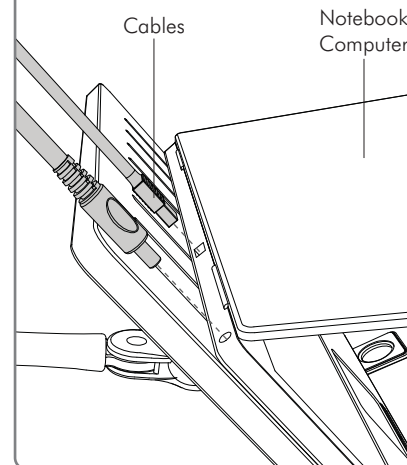
Notebook Tray

Support Tabs (x2)

C. Position your Notebook Computer onto the Notebook Tray.

Step 6. Connect Cables

Connect cables to your Notebook Computer.



Lift the Cable Management Clip on the back of the Notebook Tray, and route the Cables underneath. Release the Clip to hold the Cables in place.

Cable Management Clip

LIFT