

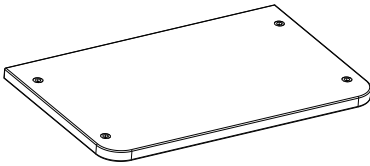


HUANUO

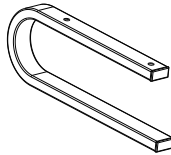


ASSEMBLY INSTRUCTION

HNLL4



Ax1



Bx2



Cx4



Dx4



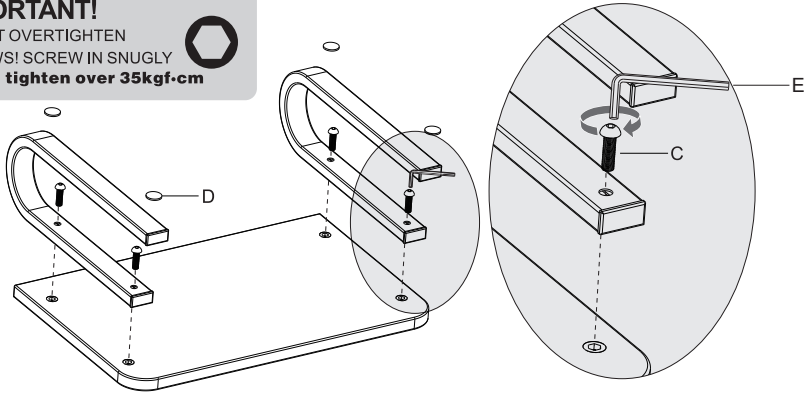
Ex1

1

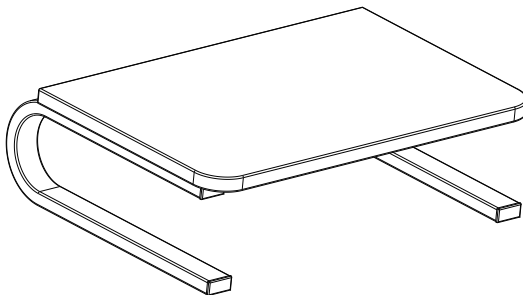
IMPORTANT!

DO NOT OVERTIGHTEN
SCREWS! SCREW IN SNUGLY

Do not tighten over 35kgf-cm



2



Thank you for choosing our product! We strive to provide the best quality and services for our customers. Would you kindly share your experience on Amazon if you are satisfied? Should you have any issues, please don't hesitate to contact us.

Telephone: 800-556-0533 Mon-Fri 10am - 6pm (Pacific time) (USA)

Email: support@huanuoav.com (US/ (US/CA/DE/UK/FR/IT/ES/JP/AU)

www.huanuoav.com

V1.0