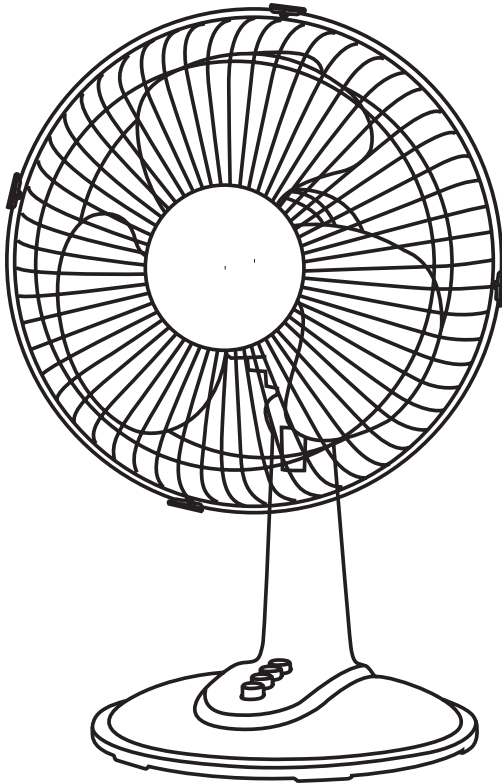


Hurricane®

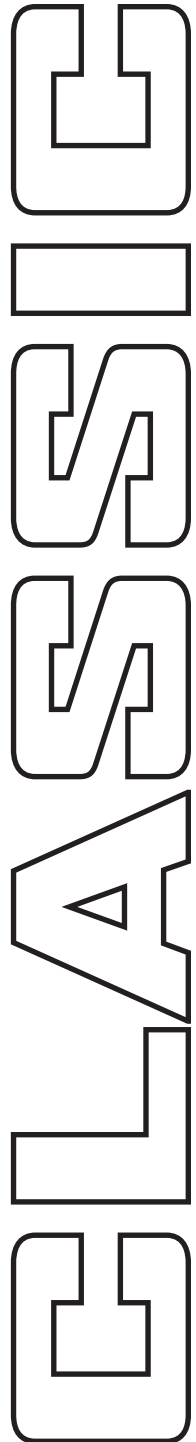
12" OSCILLATING DESK FAN

OWNER'S MANUAL



READ AND SAVE THESE INSTRUCTIONS

Note: Pictures in the manual are for reference only.



CAUTION

Read rules for safe operation and instructions carefully.

WARNING

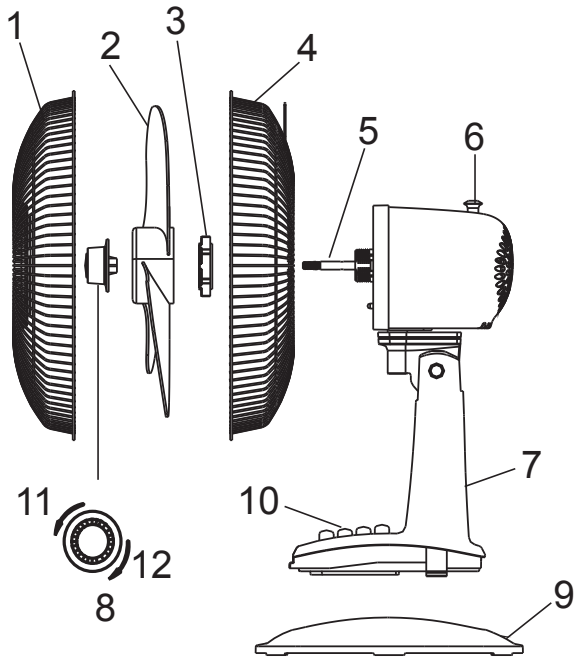
1. This appliance has a polarized plug (one blade is wider than the other). To reduce the risk of electric shock, this plug is intended to fit in a polarized outlet only one way. If plug does not fit fully in the outlet, reverse the plug. If it still does not fit, contact a qualified electrician. DO NOT attempt to defeat this safety feature.
2. To reduce the risk of fire or electric shock, DO NOT use this fan with any solid-state speed control devices.
3. DO NOT leave the fan running unattended.

RULES FOR SAFE OPERATION

1. Never insert fingers, pencils, or any other object through the grill when fan is running.
2. Disconnect fan when moving from one location to another.
3. Disconnect fan when removing grills for cleaning.
4. Be sure fan is on a stable surface when operating to avoid overturning.
5. DO NOT use fan in window. Rain may create electrical hazard

PART FIGURE

1. Front grill
2. Blade
3. Plastic nut
4. Rear grill
5. Motor shaft
6. Oscillating clutch knob
7. Pedestal
8. Spinner
9. Base
10. Piano switch
11. Tight
12. Loose



Note: Any discrepancy between the real object and the illustration in the drawing shall be subject to the real object.

ASSEMBLY OF BASE

1. Detach screw from base of the fan.
2. Match locking tab to base and click into position.
3. Tighten the screw in the base to secure the fan to the base.

GRILL & FAN BLADE ASSEMBLY

1. Take the spinner out of the bag. Fix the rear grill to the motor then tighten the plastic nut. (Fig. 1)
2. Insert the blade into shaft, and make sure the rotor shaft pin is fitted into groove of the blade. Turn the spinner counterclockwise to tighten the blade. (Fig. 2)
3. Fasten the front grill and the rear grill by the grill clip. (Fig. 3)

OPERATION INSTRUCTION MECHANICAL

SPEED CONTROL:

Speed is controlled by the piano switch. (-OFF -L -M -H) L-low M-medium H-high

OSCILLATION CONTROL:

- To make the fan oscillate, push down on the oscillating clutch knob located on the top of the motor housing.
- To stop the fan from oscillating in the position desired, push on the oscillating clutch knob once more.

TILTING CONTROL:

To adjust the air flow upward or downward, push the grills lightly to the desired direction.

CLEANING

1. Be sure to unplug from the electrical supply source before cleaning.
2. Plastic parts should be cleaned with mild soap and a damp cloth or sponge. Thoroughly to remove soap film with clean water.
3. Be sure not to make water or other liquid enter inside of motor.

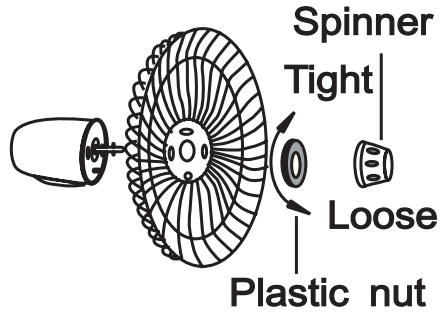


Fig.1

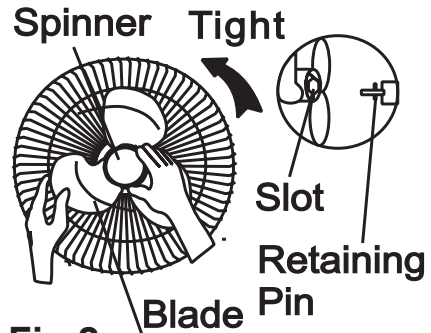


Fig.2

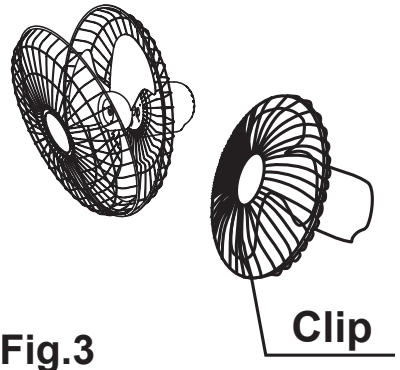


Fig.3

Hurricane[®]

12" OSCILLATING DESK FAN

PART #736549

Use a "QR Code App" on your smart phone to access our website and
browse our entire product offering or go to"

www.hurricane-fans.com



Exclusively distributed by:



Sunlight Supply[®], Inc.

SunlightSupply.com