

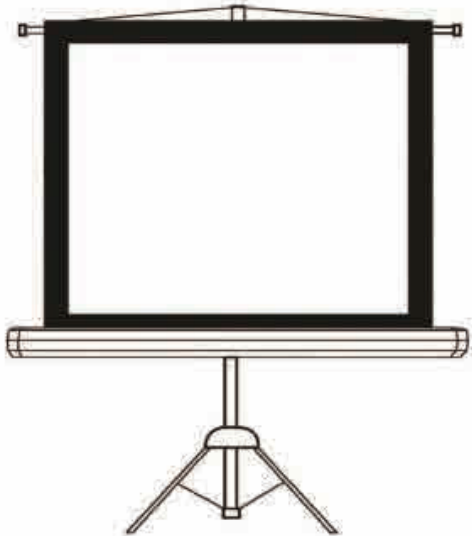


PERLESMITH

Tripod Projection Screen Operation Manual

V1.0

USER MANUAL FOR TRIPOD SCREEN



PSPSB1

PSPS1

Disassembling the screen:

1. Lower the upper section of the tripod.
2. Remove the top supporting rod from the top of the tripod and lower the screen until it's fully retracted.
3. Hold down the latch and pull the screen out of the socket on the tripod.
4. Raise the bottom piece then retract the tripod legs.

Maintaining Your Screen:

Keep screen in storage when not in use.
Make sure screen is clean prior to storing it.
Do not fold the screen fabric.
Keep screen surface away from sharp objects.
Use only clear water and clean soft cloth for screen cleaning.
Keep screen surface away from other liquids, smog and chemical.
Keep screen away from high temperature.
Store screen in dry environment.



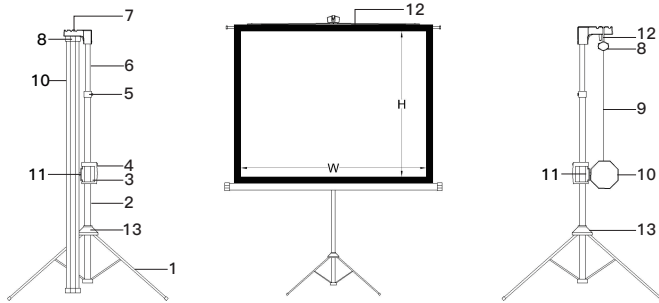
Thank you for choosing our product! We strive to provide the best quality and services for our customers. Would you kindly share your experience on Amazon if you are satisfied? Should you have any issues, please don't hesitate to contact us.

Telephone: 800-5566-806 Mon-Fri 10am - 6pm (PST) (USA)

Email: supportus@perlesmith.com (US/CA/DE/UK/FR/IT/ES/JP/AU)

Installation and use of the Tripod Screen

Tripod Screen overview



- | | | |
|-----------------|-------------------|--------------------------|
| 1.Tripod | 6.Drop tube | 11.Rotary locking pieces |
| 2.adjust tube | 7.Topside tow bar | 12.Hang strip |
| 3.Handle | 8.Polling | 13.Tripod fork |
| 4.Handle button | 9.Screen | |
| 5.Adjust key | 10.Housing | |



1.Remove all contents from the packaging. Please take care as the contents are heavy.

2.Hold the unit firmly upright.

3.Open the tripod legs (1) slightly for stability.

4.Push on the Adjust Key (5), lift the Drop Tube (6) until it clicks.

6.Rotate the Screen Housing (10) horizontally with the screen facing upwards.

7.Lift the screen (9) by holding on to the Hang Strip (12) gently. N.B. there are three indents on the rotary pole, you can place the screen on any of them to adjust the angle of the screen.

8.Then gently lift the unit and open the Tripod legs (1) fully until stable.

9.The screen size can now be adjusted up or down until held in place by the click. Care must be taken whilst doing this, one hand on the Adjust Key (5) and one hand on the Drop Tube (6). As soon as the Adjust Key is pressed the Drop Tube will drop rapidly! This can cause injury if the Drop Tube is not held firmly.



Rotate around angle 90°