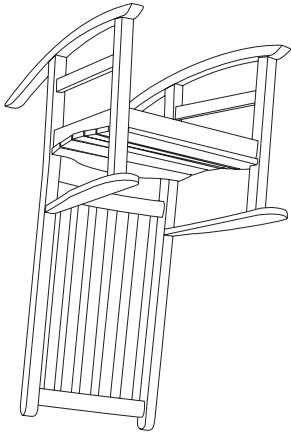


FRANKLIN
ROCKING CHAIR
FRCH



Congratulations

Congratulations, and thank you, for your purchase of a finely crafted piece of natural shorea furniture from Oxford Garden Designs. Enclosed in this document is important information about shorea wood, instructions for assembly, and care and maintenance of your furniture. Please take a moment to read this information. You will then be ready to put your furniture together and begin a lifetime of outdoor enjoyment.



Oxford Garden Designs
4175 Lyndon Way
Louisville, KY 40207
p: 502-719-2222 f: 502-719-8888

Care & Maintenance

Your Oxford furniture arrives in its natural state, without any oils or finishes. Upon completion of assembly, you may notice some staining from your hands, or possibly some water stains from shipping. Shorea is extremely dense, and therefore any staining will be only on the very surface of the wood, so any marks or abrasions can be easily removed by liberally sanding the wood with 100 grit, or medium, sandpaper.

Shorea is strong enough and weather resistant enough to be left totally untreated. If left alone, your furniture will weather naturally with time, turning a warm and soothing shade of gray. If you prefer to prevent this natural weathering, or to enhance the luster and color of the wood, you may seasonally apply a coat of teak oil. If you allow your furniture to weather, and later decide to restore it to its original condition, use a teak cleaner first, and then you may apply the teak oil. These products are available at most hardware stores and boat dealers, and are available through many Oxford dealers.

If the furniture is going to be placed on a concrete or tile patio, it should first be rinsed well to remove the sawdust that may cause some staining.

Parts List & Hardware

A	(16)	Wood Dowels
B	(4)	Wood Screws
C	(1)	Left Arm Assembly
D	(1)	Right Arm Assembly
E	(1)	Back Seat Rail
F	(1)	Front Seat Rail
G	(1)	Seat
H	(1)	Back

About Shorea Wood

Shorea is a tropical hardwood that grows plentifully in the Pacific Rim countries of Burma, Malaysia, and Indonesia. Shorea is closely related to teak, and is therefore well suited for use in furniture making. It is renowned for its strength, durability, and beauty. Like teak, shorea has natural oils that allow it to withstand the effects of sun, rain, snow, and frost.

FRCH - Franklin Rocking Chair



The Oxford Designs Franklin Rocking Chair has six component parts - left frame, right frame, seat, back, front seat rail and back seat rail. Put all parts together before securing with screws and dowels. Use no glue.

To assemble:

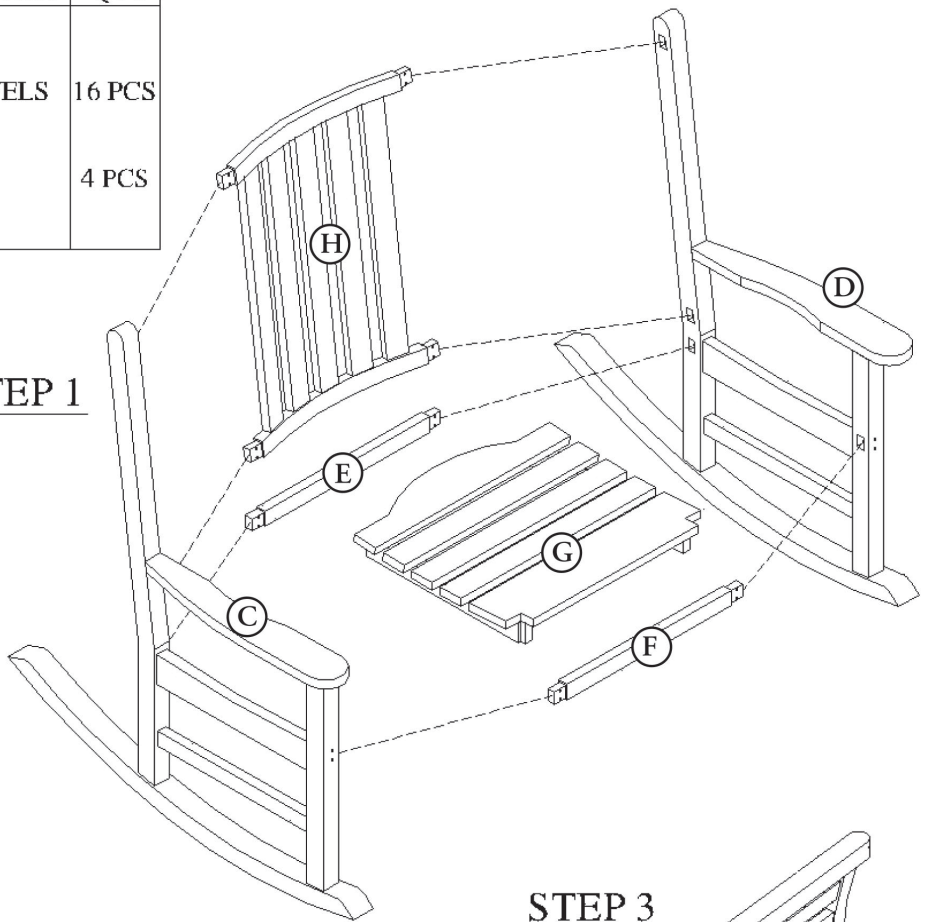
1. On a clean, flat surface, lay left arm assembly (C) down, with mortise holes facing up.
2. Place back assembly (H) onto arm assembly.
3. Place back rail (E) into arm assembly.

Note: back rail (E) is shorter than front rail (F). The tenons of both rails are angled. Position the rails so that the tenons point to the back of the rocker.

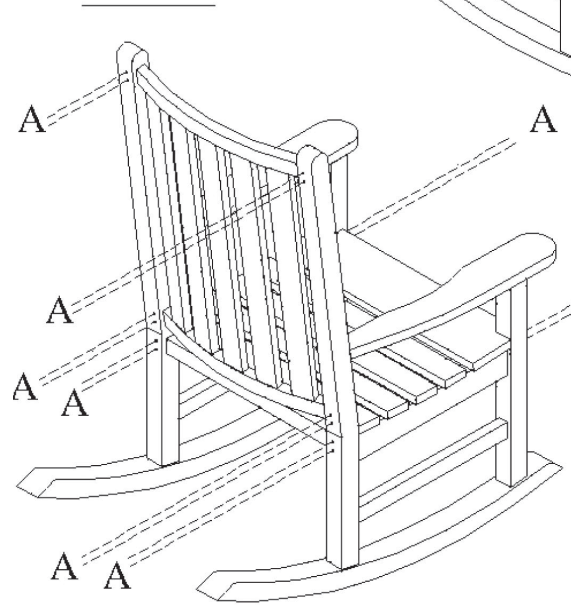
4. Place front rail (F) into arm assembly.
5. Put seat assembly (G) into place, keeping the leg notches to the front of the chair, and the rounded arch to the back.
6. Lay right arm assembly (D) into place.
7. Drive 16 wood dowels into place, with the tapered end first.
8. Secure seat with 4 wood screws.

	HARDWARE LIST	QTY
A	 WOOD DOWELS	16 PCS
B	 Screw M4x30 (phillips head)	4 PCS

STEP 1



STEP 2



STEP 3

