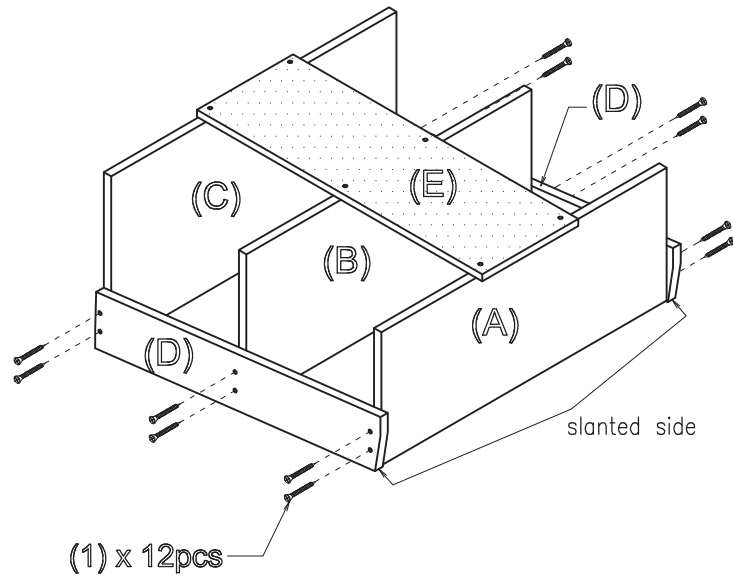
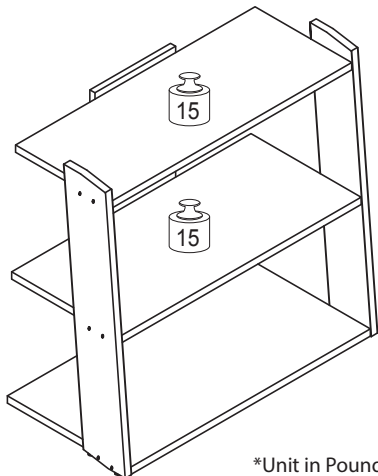


STEP 3

Fasten Side Panel (D) to Panel (A)(B)(C) with Screw (1).



Recommended Maximum Weight



WARNING:

>This unit has been designed to support the maximum loads shown. Exceeding these load limits could cause sagging, instability, product collapse, and/or serious injury.

>DO NOT allow children to climb on unit.

>Put heavier items on lower shelves.



Assembly Instruction

Furinno Hidup Tropika Mini Ladder Shelf

MODEL : 11074

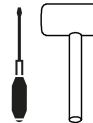
DIMENSION : 23.6"(W) x 22.6"(H) x 12.2"(D)

00:20

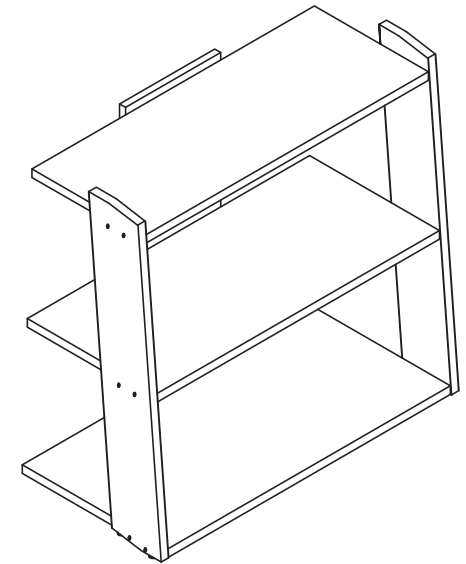
Approx. 20 minutes



Recomm. 1 Person



Tool Required


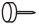





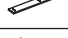

Customer Support

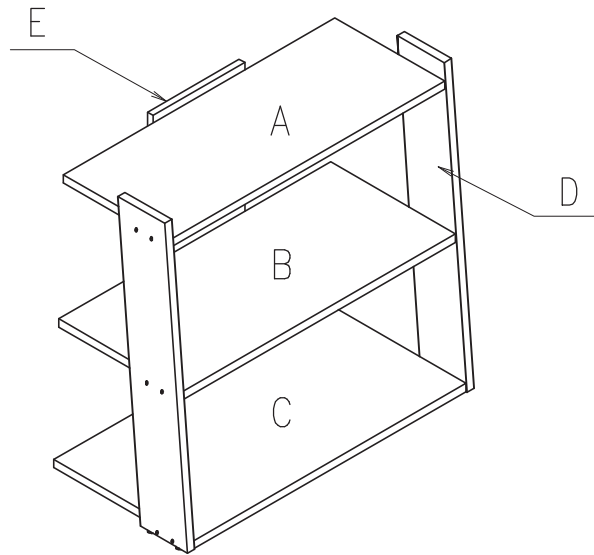
NEED HELP? For help with assembly, or if you are missing a part, please call Furinno's Customer Service, 1-773-299-8111 from Mon-Fri, 9am-5pm (CST) or email: support@furinno.com

www.furinno.com



No	Hardware List	Qty
1	Chipboard Screw 	18pcs
2	Nail Leg 	6pcs

No	Parts List	Qty
A	1st Shelf Panel 	1pc
B	2nd Shelf Panel 	1pc
C	3rd Shelf Panel 	1pc
D	Side Panel 	2pcs
E	Back Panel 	1pc

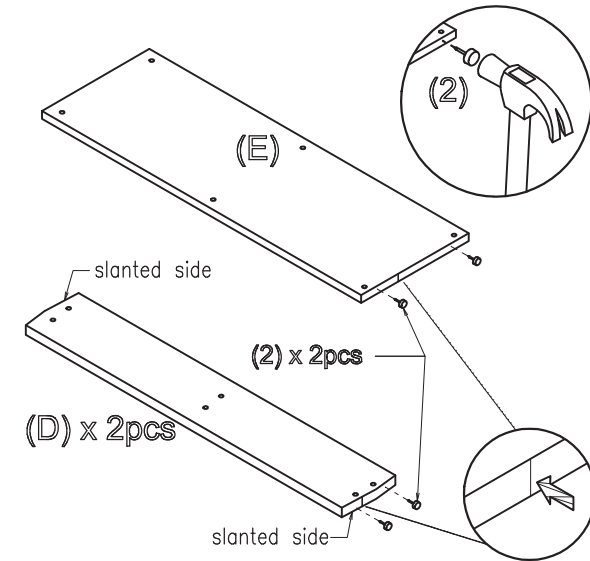


USEFUL HINTS BEFORE YOU START:

1. Read each step carefully before starting.
2. It is important that each step is performed in correct order to avoid difficulties.
3. Identify, sort and count the parts before assembly.
4. Assemble your furniture on packaging cardboard to prevent scratch or damage.
5. Clean the product with mild cleanser using soft damped cloth. Do not use harsh or abrasive cleanser.
6. Using incompatible hardware might cause damage to product.

STEP 1

Install Nail Leg (2) to the bottom side of Panel (D)(E) with hammer.
Caution: Please take note the edging joined must towards the same direction.



STEP 2

Fasten Back Panel (E) to Shelf Panel (A)(B)(C) with Screw (1).

