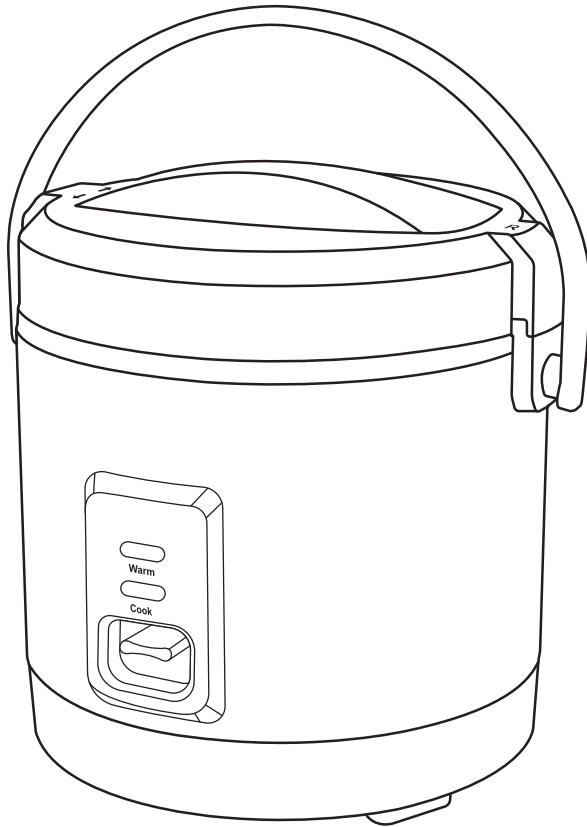


amazonbasics



Rice Cooker with Accessories, 4 Cups Cooked Rice
Arrocera con Accesorios, 4 Tazas de Arroz
Cuiseur à Riz avec Accessoires, 4 Tasses de Riz Cuit

B07T6VFZRP

English

English	3
Español	8
Français	13

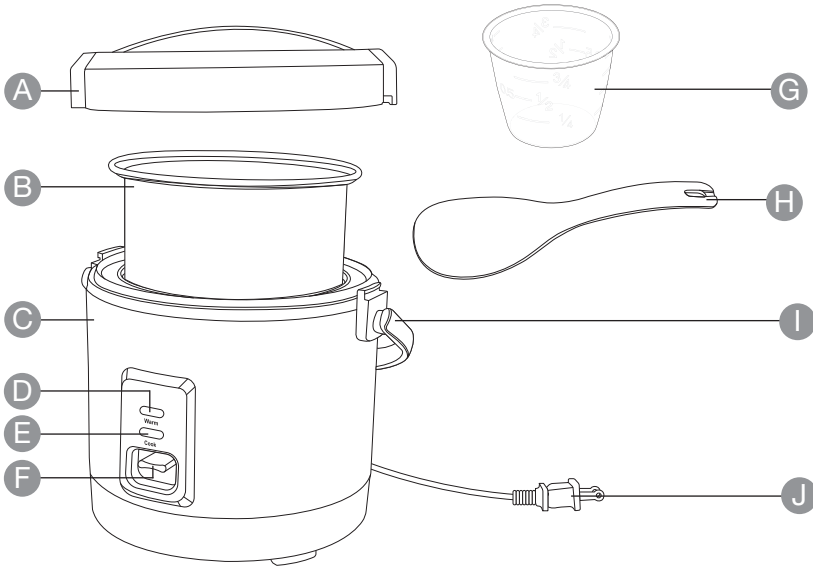
Español

Français

Welcome Guide • English

Contents:

Before getting started, ensure the package contains the following components:



- A Lid
- B Cooking bowl
- C Base unit
- D Status indicator **Warm**
- E Status indicator **Cook**
- F Mode switch
- G Measuring cup
- H Spatula
- I Handle
- J Supply cord with plug

IMPORTANT SAFEGUARDS



Read these instructions carefully and retain them for future use. If this product is passed to a third party, then these instructions must be included.

When using electrical appliances, basic safety precautions should always be followed to reduce the risk of fire, electric shock, and/or injury to persons including the following:

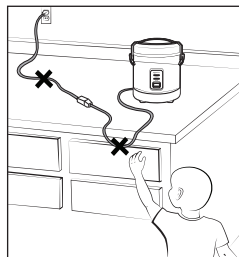
⚠ CAUTION Risk of electric shock! Cook only in removable container.

- Read all instructions.
- Do not touch hot surfaces. Use handles or knobs.
- To protect against electric shock, do not place cord, plugs, or appliance in water or other liquid.
- Close supervision is necessary when the appliance is used by or near children.
- Unplug from outlet when not in use and before cleaning. Allow to cool before putting on or taking off parts, and before cleaning the appliance.
- Do not operate the appliance with a damaged cord or plug or after the appliance malfunctions, or has been damaged in any manner. Return the appliance to an authorized service facility for examination, repair or adjustment.
- The use of an accessory not evaluated for use with the product may cause injuries.
- Do not use outdoors.
- Do not let cord hang over edge of table or counter, or touch hot surfaces.
- Do not place on or near a hot gas or electric burner, or in a heated oven.
- Extreme caution must be used when moving an appliance containing hot oil or other hot liquids.
- To disconnect, turn any control to “off”, then remove plug from wall outlet.
- A short power-supply cord is provided to reduce risks resulting from becoming entangled in or tripping over a longer cord. Longer extension cords are available and may be used if care is exercised in their use. If a long extension cord is used,
 - The marked electrical rating of the extension cord should be at least as great as the electrical rating of the appliance;
 - If the appliance is of the grounded type, the cord set or extension cord should be a grounding-type 3-wire cord;
 - The cord should be arranged so that it will not drape over the countertop or tabletop where it can be pulled on by children or tripped over unintentionally.
- Do not immerse the main unit, power cable or plug in water or other liquid.
- This appliance has a polarized plug (one blade is wider than the other). To reduce the risk of electric shock, this plug will fit outlet only one way. If the plug does not fit fully in the outlet, reverse the plug. If it still does not fit, contact a qualified electrician. Do not modify the plug in any way.
- Do not use appliance for other than intended use.
- Household use only.

SAVE THESE INSTRUCTIONS

Intended Use

- This product is for household use only. It is not intended for commercial use.
- This product is intended to be used to cook rice.
- This product is intended to be used in dry indoor areas only.
- No liability will be accepted for damages resulting from improper use or non-compliance with these instructions.



Do not drape cord!
Keep away from children!

Before First Use

- Check for transport damages.
- Clean the product before first use. Rinse the lid (A) and the cooking bowl (B) in warm water with a mild dishwashing detergent.
- Before connecting the product to the power supply, check that the power supply voltage and current rating corresponds with the power supply details shown on the product rating label.

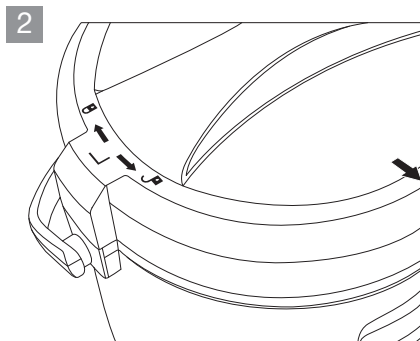
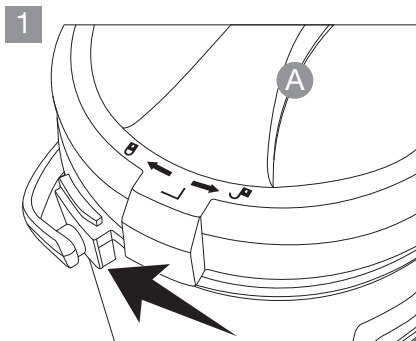
⚠ DANGER **Risk of suffocation!** Keep any packaging materials away from children – these materials are a potential source of danger, e.g. suffocation.

Operation

Cooking rice

⚠ CAUTION **Risk of damage!** Before placing the cooking bowl (B) into the base unit (C), check that it is dry and clean. A wet cooking bowl may damage the cooker.

- Place the product on a flat, stable and heat resistant surface.
- Use the measuring cup (G) to add the selected amount of rice to the cooking bowl (B).
- Rinse the rice with water to remove excess starch. Drain.
- Add water to the rice until it covers the corresponding mark inside the cooking bowl (see table below).
- Place the cooking bowl (B) in the base unit (C) and close the lid (A) (fig. 1, 2).



- Connect the supply cord (J) to a suitable socket outlet.
- The product automatically turns on.
- To start cooking, push the mode switch (F) down. The red status indicator **Cook** (E) lights up.
- When cooking is finished, the mode switch (F) automatically switches to the **Warm** mode. The yellow status indicator **Warm** (D) lights up.
- Unplug the supply cord (J) from the socket outlet to turn the product off.

⚠ WARNING Risk of injury! During cooking, hot steam is released from the steam vent on the lid (A). Do not touch, cover or obstruct the steam vent.

NOTICE The rice cooker does not switch to the **Warm** mode until all liquid is absorbed.

NOTICE Stir the cooked rice with the spatula (H) to distribute the remaining moisture.

NOTICE Do not leave the rice cooker set to the **Warm** mode for more than 12 hours.

Rice and Water Measurement

Uncooked white rice	Add water until marking inside cooking bowl (B)	Cooked rice yield (approx.)	Cooking times
1 cup *	1	2 cups *	18-23 Min.
2 cups *	2	4 cups *	24-29 Min.
2.5 cups *	2.5	5 cups *	28-33 Min.

* 1 measuring cup (G) = 3/4 US cup

Cleaning and Maintenance

⚠ WARNING **Risk of electric shock!** To prevent electric shock, unplug before cleaning.

⚠ WARNING **Risk of electric shock!** During cleaning do not immerse the electrical parts of the product in water or other liquids. Never hold the base unit (C) under running water.

Cleaning

- Let the product cool down to room temperature before cleaning.
- To clean the base unit (C), wipe with a soft, slightly moist cloth.
- To clean the lid (A) and the cooking bowl (B), rinse them in warm water with a mild dishwashing detergent.
- The lid (A), the cooking bowl (B), the measuring cup (G) and the spatula (H) are suitable for the dishwasher (top rack only).

NOTICE To remove stubborn stains soak the cooking bowl (B) and the lid (A) in warm soapy water before cleaning.

- Dry the product after cleaning.
- Never use corrosive detergents, wire brushes, abrasive scourers, metal or sharp utensils to clean the product.

Storage

- Store the product in a cool and dry place.

Maintenance

- Any other servicing should be performed by an authorized service representative.

Specifications

Rated power:	120 V~, 60 Hz
Power input:	200 W
Net weight:	approx. 3.3 lbs (1.5 kg)
Dimensions (W x H x D):	approx. 8.6 x 7.3 x 8.1" (21.9 x 18.7 x 20.6 cm)

Feedback and Help

Love it? Hate it? Let us know with a customer review.

AmazonBasics is committed to delivering customer-driven products that live up to your high standards. We encourage you to write a review sharing your experiences with the product.

 amazon.com/review/review-your-purchases#

 amazon.com/gp/help/customer/contact-us

amazonbasics

amazon.com/AmazonBasics

MADE IN CHINA
HECHO EN CHINA
FABRIQUÉ EN CHINE

V1-08/19