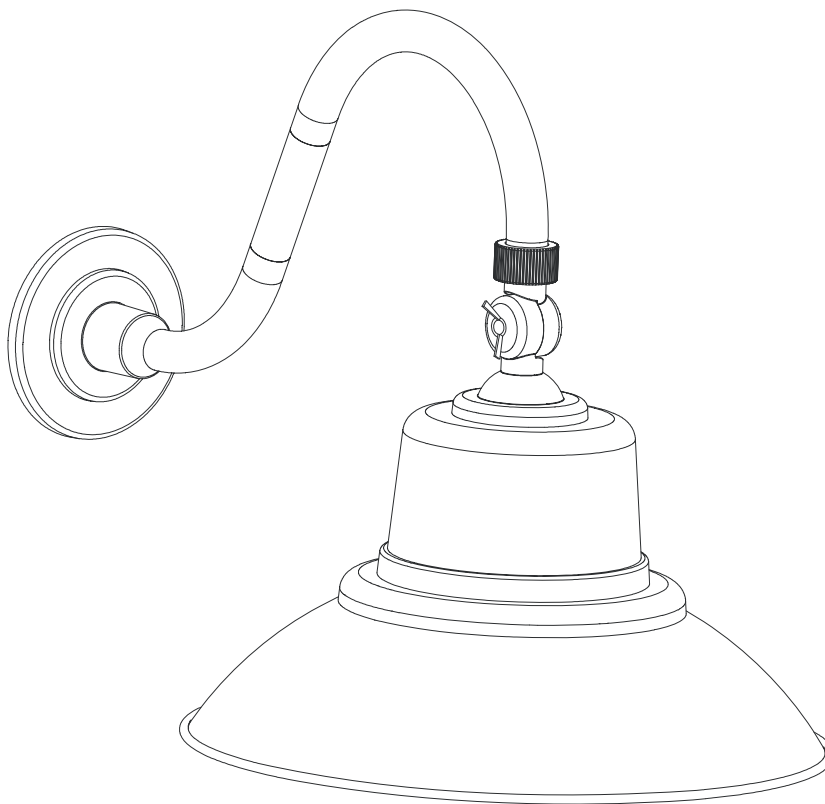




INSTALLATION GUIDE

Wall-Mounted LED Barn Light



WARNING

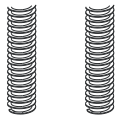
1. Read all safety precautions and installation instructions carefully before installing or servicing this fixture. Failure to comply with these instructions could result in a potentially fatal electric shock and/or property damage.
2. To reduce the risk of electrical shock or other personal injury, ensure the power is turned OFF at the fuse or breaker box before making any electrical connections.
3. For outdoor use only.
4. Must be connected to 120 volt, 60 Hz power source.
5. Fixture should be mounted to a grounded junction box marked for use in wet locations.
6. Suitable for wall mount and wet locations.
7. NOT suitable for ground locations. Minimum of 4 feet or higher.
8. Light should be installed by a qualified electrician or person experienced with household wiring. The electrical system, and method of electrical connection of the fixture, must be in accordance with the National Electrical Code and local building codes.

Pre-Installation

Planning Installation

Carefully remove the fixture from the carton and check that all parts are included. Be careful not to misplace any of the screws or parts needed for installing the fixture.

Hardware Included (Note: Some parts may be pre-assembled)



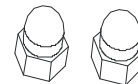
AA:
Mounting Screws (2)
8-32UNC x 32
Length: 1.25 or 31.75 mm



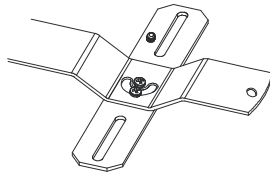
BB:
Mounting Screws (2)
(Customization)



CC:
Wire Nuts (3)
P4 (10 mm x 22 mm)



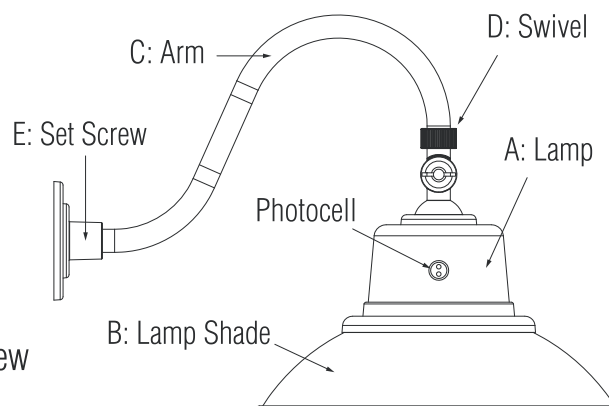
DD:
Screw Caps (2)
(Customization)



EE:
Mounting Bracket (1)
(Customization)

PARTS

- A - Lamp
- B - Lamp Shade
- C - Arm
- D - Swivel
- E - Set Screw

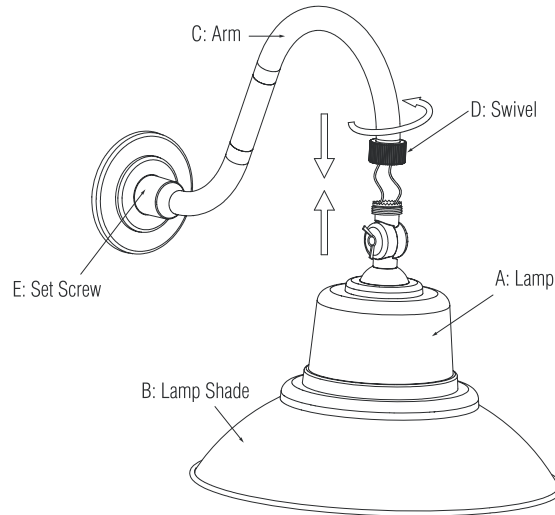


Installation I:

Pre-Assemble Fixture

Connect Arm (C) and Lamp (A) through Swivel (D) and rotate Swivel to fasten two parts. Be careful not to misplace any of the hardware needed for installing the fixture.

Note: Tighten Swivel (D) until tight. Do not over tighten.



Installation II:

Caution: Turn OFF the circuit breaker and light switch before beginning installation.

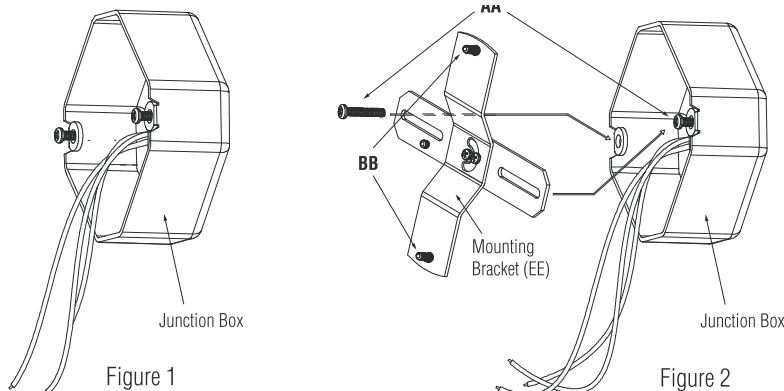
Important: Do not use this fixture with dimmers or timers. This fixture is suitable for wall mount only. It is not suitable for ground mount installation. For best performance, mount the fixture 2.4-3.6 m / 8-12 ft above the ground.

Pull The Wire Out From The Junction Box

Pull the supply wire (Line, Neutral and Ground) out from the Junction Box through the large center hole in the Mounting Bracket (EE). (Figure 1)

Attach The Mounting Bracket

Attach the Mounting Bracket (EE) to the Junction Box using the Mounting Screws (AA). (Figure 2)



Installation III:

Attach Power Supply Wire

1. Connect the fixture ground wire (GREEN) to the ground supply wire using a wire nut (CC).
2. Connect the BLACK fixture wire to the BLACK (Line) supply wire using the wire nuts (CC).
3. Connect the WHITE fixture wire to the WHITE (Neutral) supply wire using the wire nuts (CC).
4. Carefully tuck all wiring back into the Junction Box, making sure there are no exposed un-insulated wires. (Figure 3)

Note: For proper connection, place the wire nuts over the wires and twist clockwise until tight.

Recommended: Wrap each wire nut with electrical tape (not included).

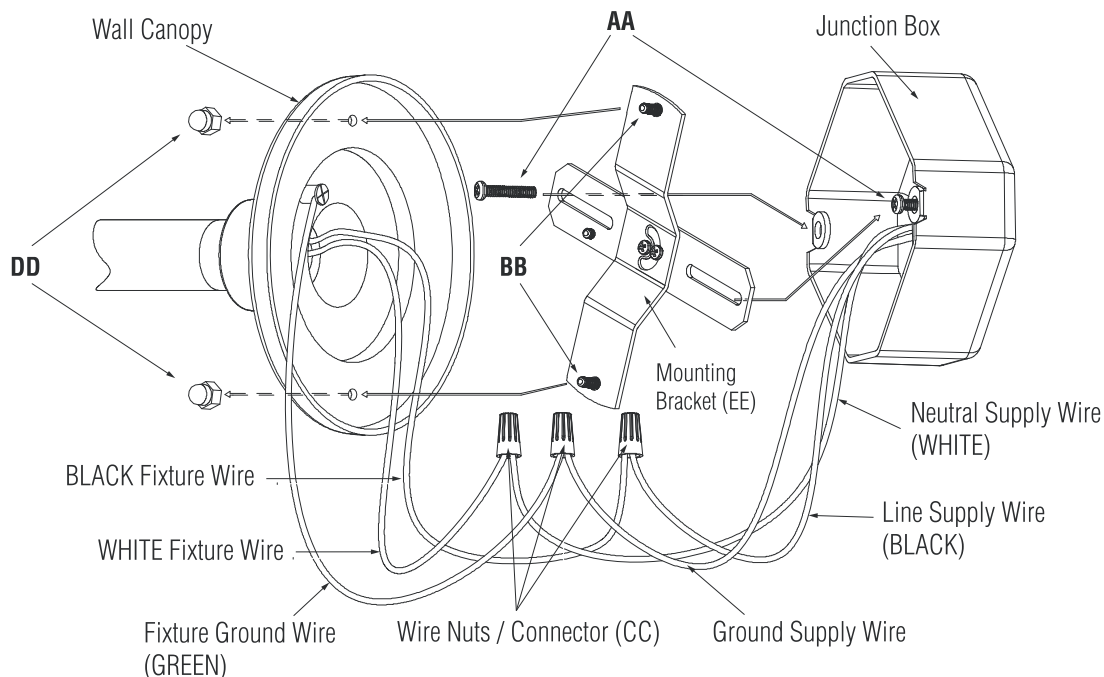


Figure 3

Attach Wall Canopy

Place the Wall Canopy over the Junction Box and onto the fixture's Mounting Screws (BB) and adjust the fixture Mounting Screws (BB) until they protrude out an appropriate height from the back of the Wall Canopy to allow the Screw Caps (DD) to hold the Wall Canopy tightly against the wall. Remove the Wall Canopy and secure the position of the Mounting Screws (BB) against the Mounting Bracket (EE). (Figure 3)

Note: Tighten Set Screw once Arm is fixed into place.

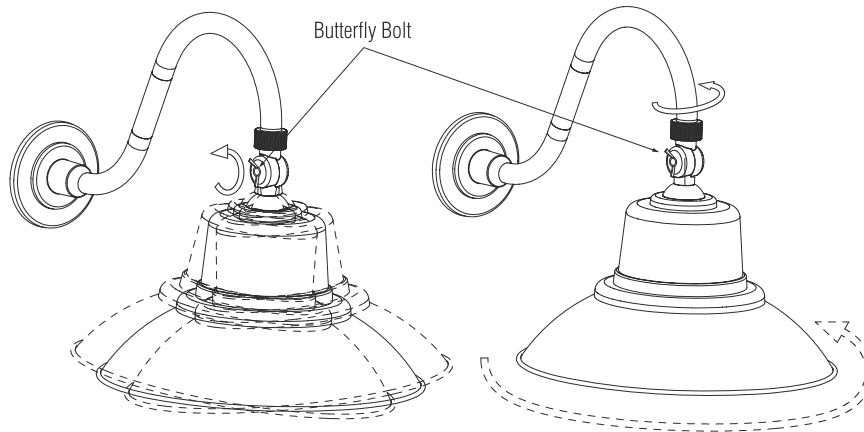
Recommended: Apply silicon caulk around edge of wall canopy to weatherproof.

Adjust Fixture Angle

Following the arrow illustration to rotate swivel and butterfly bolt to adjust fixture angle that you want.

Note: Loosen Butterfly Bolt to adjust Lamp Shade and tighten when desire position is reached.

See Next Page



Additional Information

Photocell

This light includes an integrated Photocell which activates the light during low illumination (At Dusk) and de-activates the light when illuminated (At Dawn).

| | LUX | PHOTOCELL | FIXTURE |
|-------------|------------|-----------|---------|
| DUSK | < 60 LUX | ACTIVATES | ON |
| | 60-120 LUX | NO ACTION | ON |
| DAWN | > 120 LUX | ACTIVATES | OFF |
| | 120-60 LUX | NO ACTION | OFF |

Trouble Shooting

| PROBLEM | POSSIBLE CAUSE | SOLUTION |
|--------------------------------|--|--|
| Light will not come on. | A. Light switch is turned off. B. Fuse is blown or circuit breaker is turned off. C. Incorrect circuit wiring. | A. Turn light switch on. B. Replace fuse or turn circuit breaker on. C. Verify that fixture is wired properly. |
| Lights come on during the day. | A. Photocell covered. | A. Clean photocell with damp cloth. |

Customer Support

If you have any questions, or concerns, please call or email our lighting specialists at:



+1 (813) 649-8899



sales@htm-lighting.com