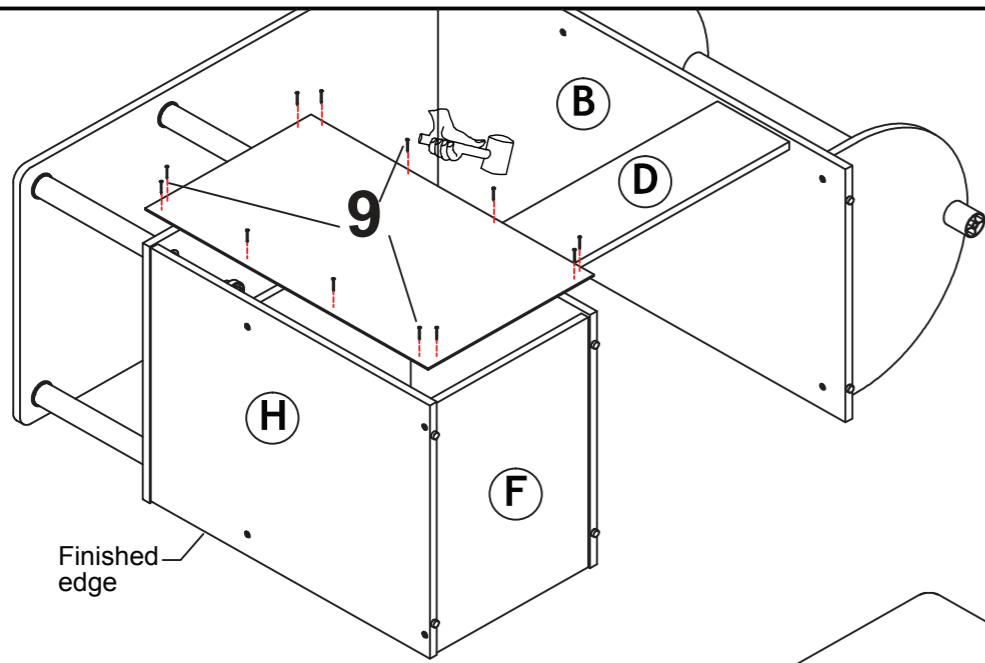
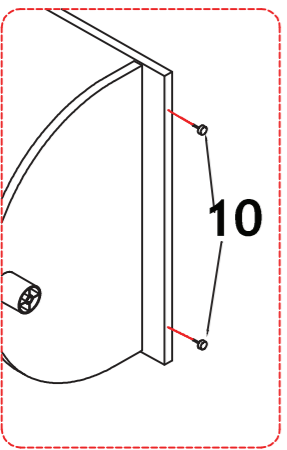


16

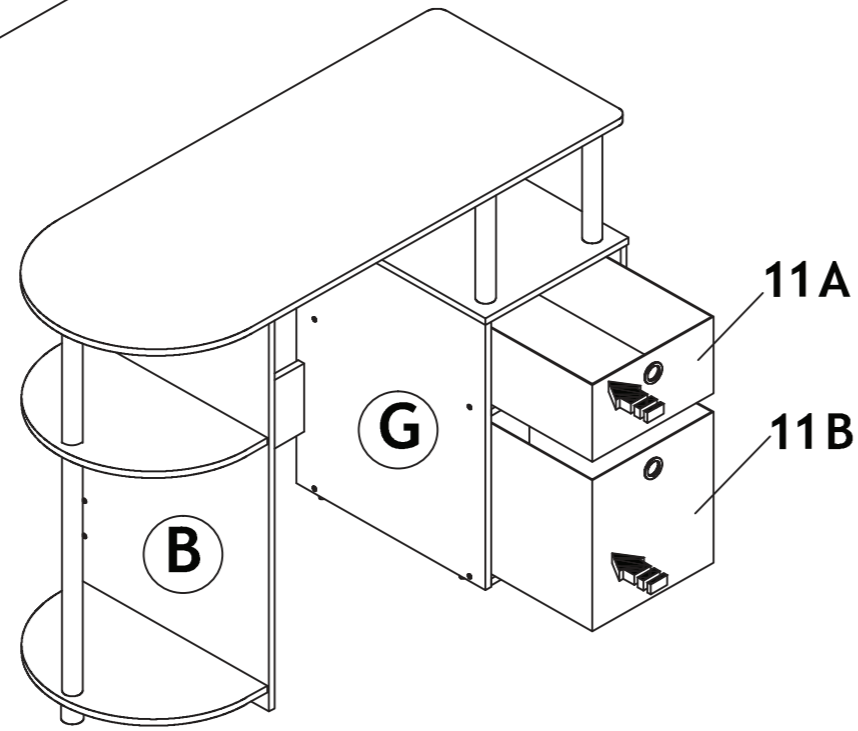


Finished edge

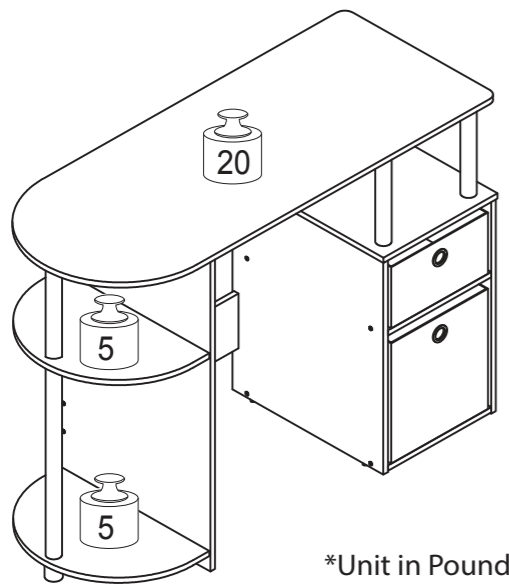
17



18



Recommended Maximum Weight



\*Unit in Pound(lbs)

**WARNING:**

- >This unit has been designed to support the maximum loads shown. Exceeding these load limits could cause sagging, instability, product collapse, and/or serious injury.
- >DO NOT allow children to climb on unit.
- >Put heavier items on lower shelves.



**Assembly Instruction**

Furinno Computer Desk with 2 bins

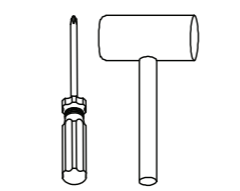
MODEL : 15111

00:30

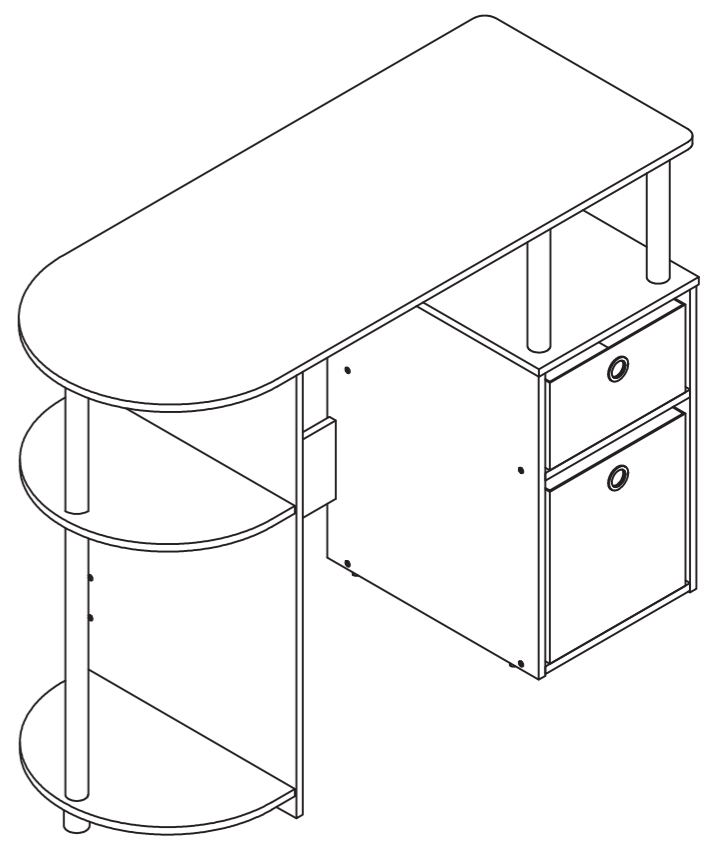
Approx. 30 minutes



Recomm. 2 Person



Tool Required





**Customer Support**

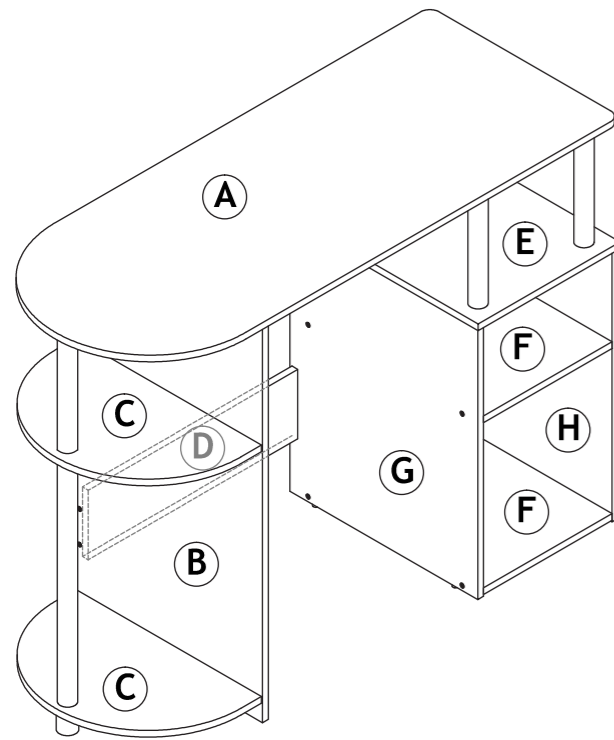
**NEED HELP?** For replacement requests or product inquiries, please contact our Customer Service Team by emailing us at [support@furinno.com](mailto:support@furinno.com). Thank you for selecting Furinno!

[www.furinno.com](http://www.furinno.com)



No	Parts List	Qty
A	TOP PANEL	1pc
B	LEFT SIDE PANEL	1pc
C	LEFT SHELF PANEL	2pcs
D	LEG SUPPORT PANEL	1pc
E	RIGHT TOP PANEL	1pc
F	RIGHT SHELF / BOTTOM PANEL	2pcs
G	CENTER LEFT SIDE PANEL	1pc
H	RIGHT SIDE PANEL	1pc
I	BACK PANEL	1pc

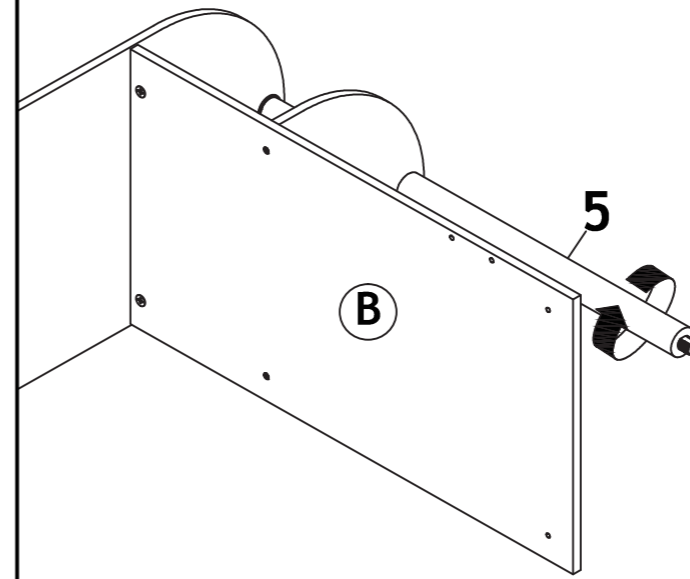
No	Hardware List	Qty
1	MINI FIX BOLT	6pcs
2	MINI FIX CAM	6pcs
3	SCREW	16pcs
4	DOWEL	18pcs
5	EXTRA LONG POLE	1pc
6	MEDIUM ROUND POLE	5pcs
7	ROUND LEG	1pc
8	SMALL ROUND LEG	4pcs
9	POWER PIN	12pcs
10	NAIL LEG	6pcs
11	NON WOVEN BIN  	2pcs
12	PVC ROUND RING	8pcs



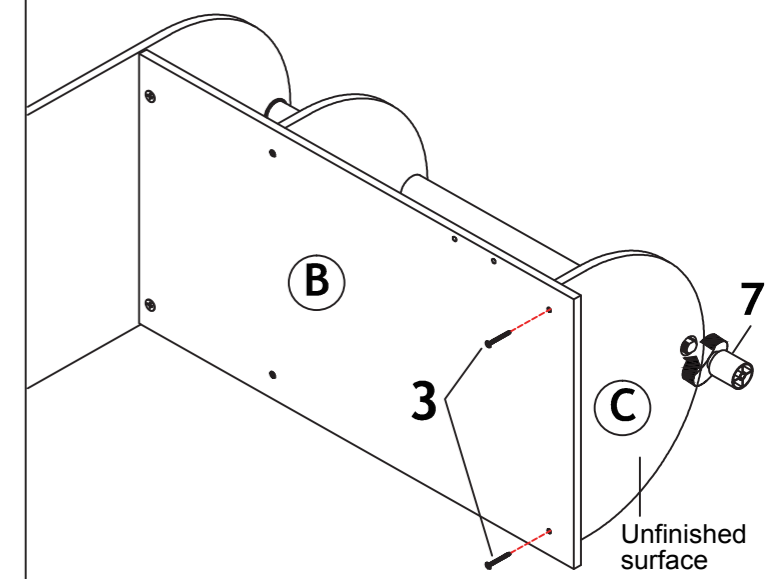
**USEFUL HINTS BEFORE YOU START:**

1. Read each step carefully before starting.
2. It is important that each step is performed in correct order to avoid difficulties.
3. Identify, sort and count the parts before assembly.
4. Assemble your furniture on packaging cardboard to prevent scratch or damage.
5. Clean the product with mild cleanser using soft damped cloth. Do not use harsh or abrasive cleanser.
6. Using incompatible hardware might cause damage to product.

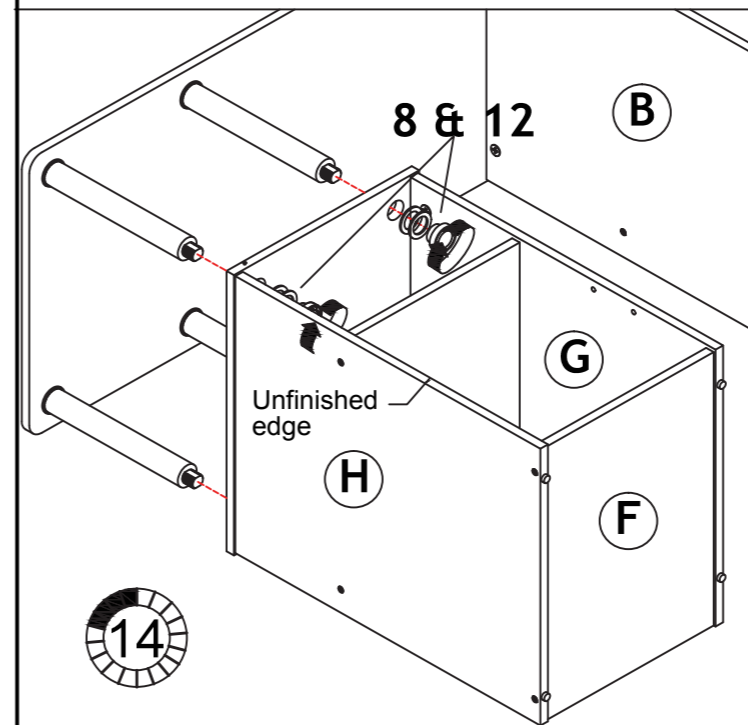
12



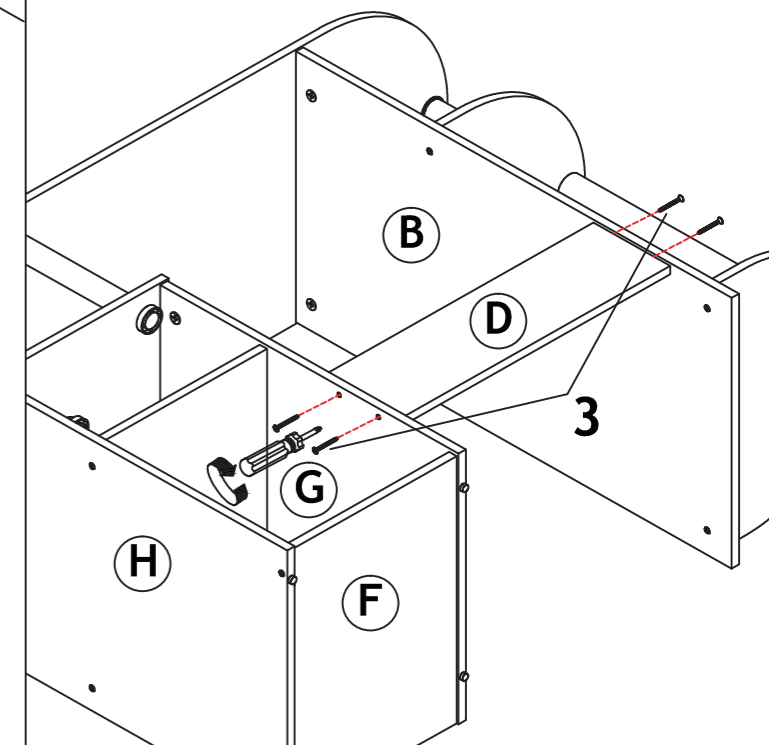
13

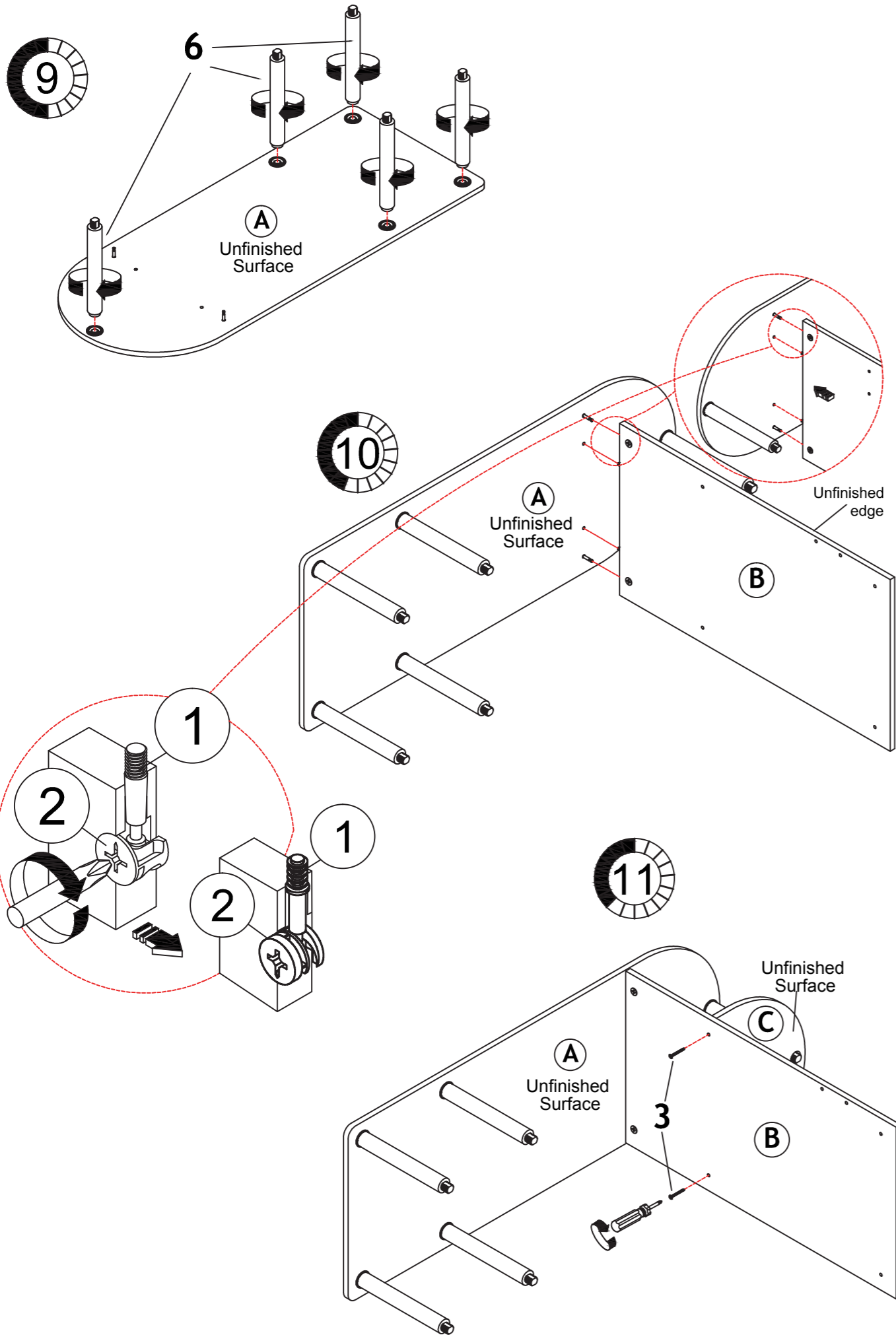


14



15





## ASSEMBLY INSTRUCTION

