







ASSEMBLY INSTRUCTION

O&K FURNITURE 1-TIER PIPE WALL SHELF

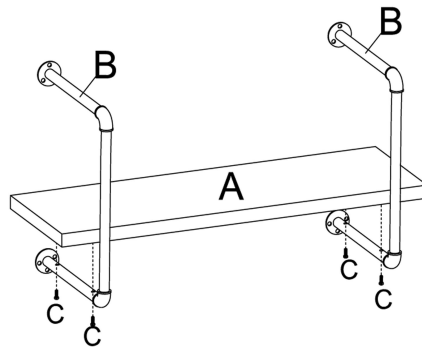
ATTENTION:

- ! We have provided EXTRA SCREWS of C/D/E in case of any screws missing in the boxes.
- ! Do not throw away packing materials until assembly is complete.
- ! Assemble this on a soft surface, such as cardboard or carpet, to protect finish.

PART LIST						
	Ax 1PC	Bx 2PCS	Cx 4PCS	Dx 12PCS	Ex 12PCS	Fx 1PC

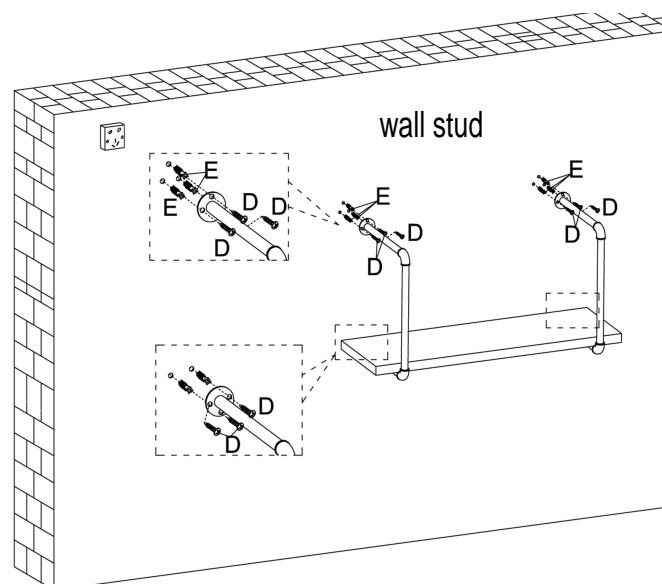
NOTE: DO NOT screw all screws into fully until all parts are completely assembled. Please follow the below instructions to complete the installations, if not, that may cause the screws to misalign on installation.

Step 1: Screw up shelf (A) on the pipe frame (B) with screws (C) by Allen key (F).



Step 2:

Mark a line on the wall using a level and painter's tape. Mark the wall stud location on the tape. Mount the frames to the stud so the flanges are even with tape. Drilling into the wall and fitting anchor screws (E). Mount the pipe frames (B) to the studs so the flanges are even with the tape. Screw up pipe frame(B) with (D).



CLEANING & CARE INSTRUCTION

Hardware may loosen overtime. Periodically check that all connections are tight. Wipe with a soft, dry cloth. To protect finish, avoid the use of chemicals and household cleaners. All hot serving dishes should be placed on a pad.