

# Specifications

**Color:** Satin Nickel, Venetian Bronze

**Function:** Single cylinder deadbolt

**Door Prep:** 2 1/8" diameter face hole & 1" diameter latch hole

**Door Thickness:** 1 3/8" – 2" automatic adjustment

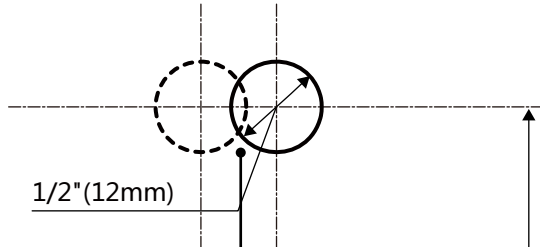
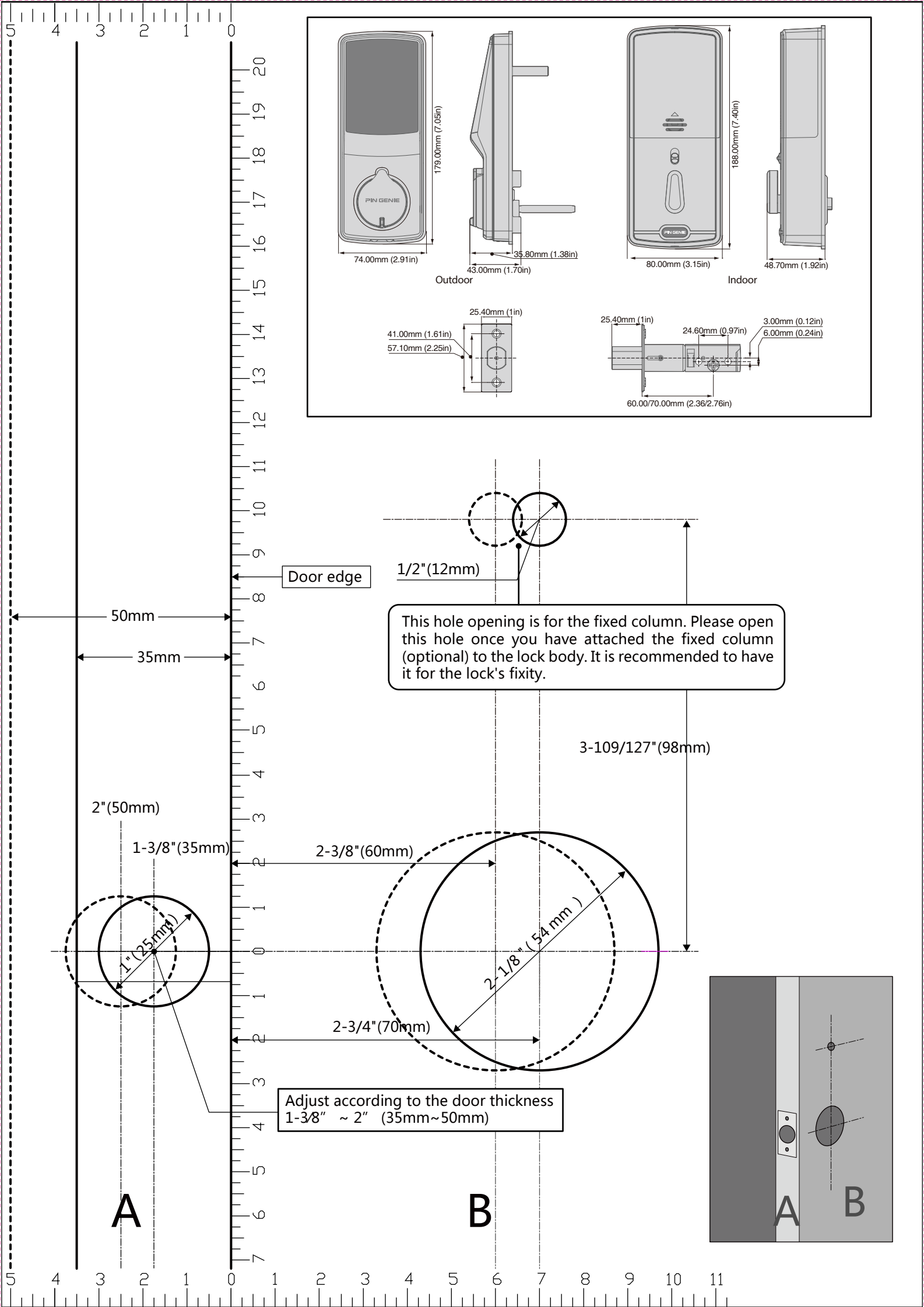
**Backset:** Adjustable 2 3/8" or 2 3/4"

**Bolt:** 1" throw, steel deadbolt

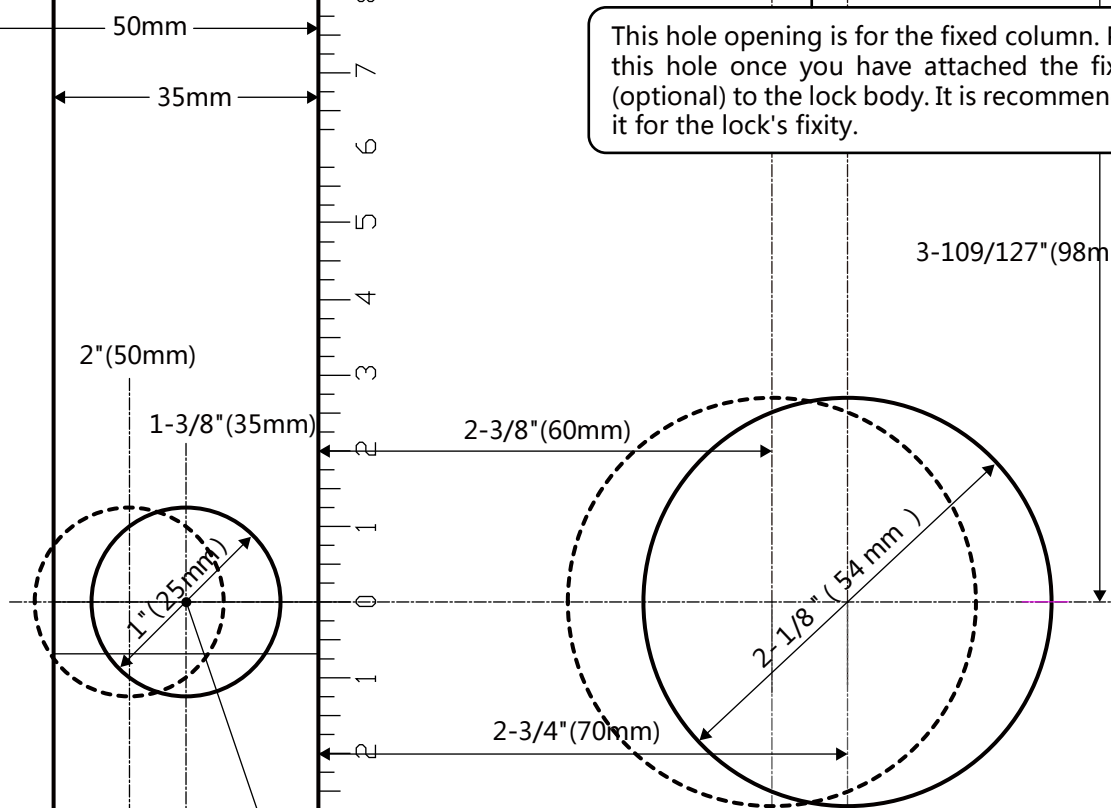
**Latch:** For 2 3/8" or 2 3/4" (steel or stainless steel)

**Back-up Keys:** 2 keys

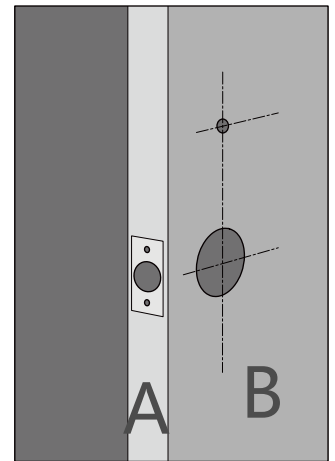
**Working environment temperature:** Indoor use: 0~45°C (32°F~113°F), Outdoor use: -25~60°C(-13°F~140°F)



This hole opening is for the fixed column. Please open this hole once you have attached the fixed column (optional) to the lock body. It is recommended to have it for the lock's fixity.



Adjust according to the door thickness  
 1-3/8" ~ 2" (35mm~50mm)



A

B