

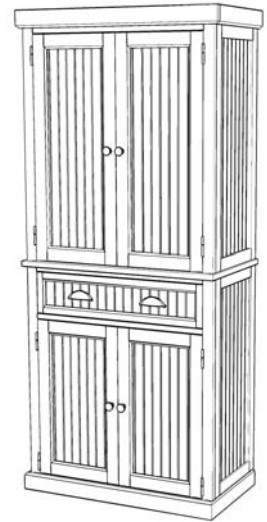
88 5022 69 Nantucket Pantry

IMPORTANT NOTE

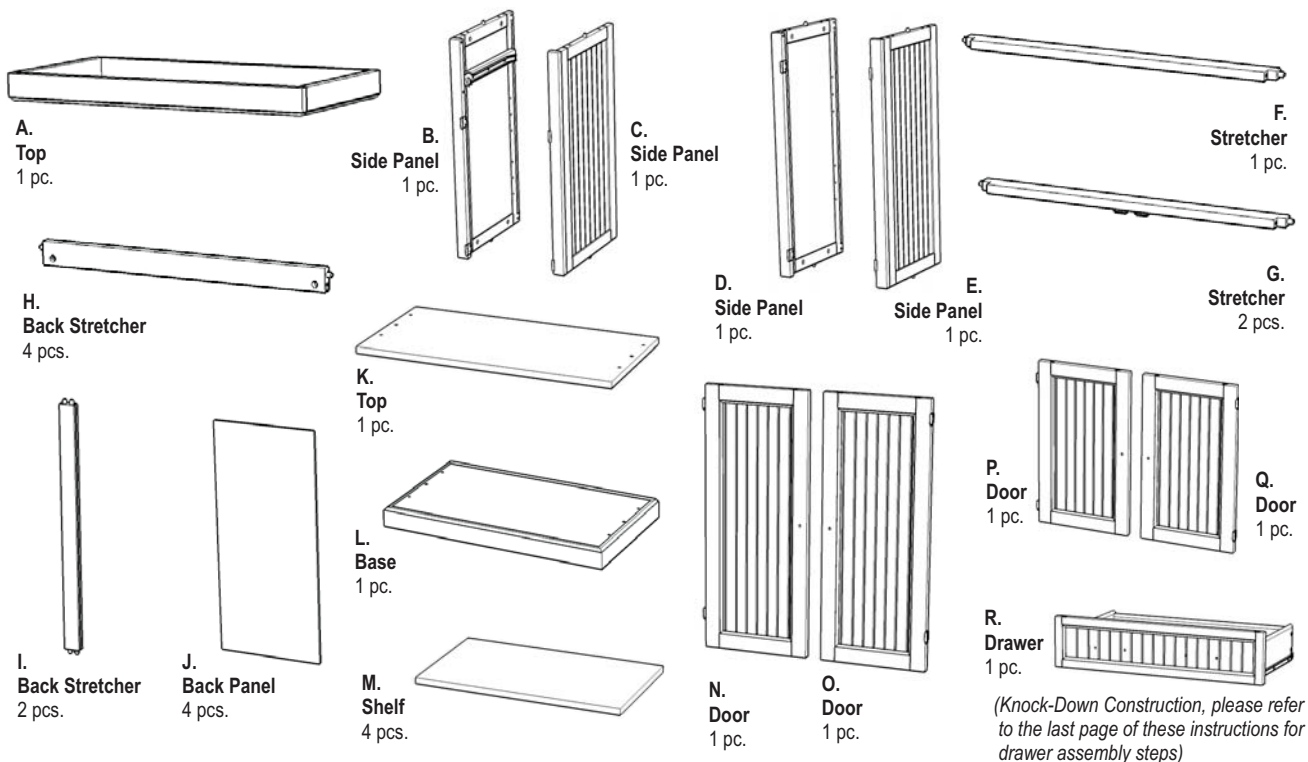
Carefully remove all the parts from the carton and put them individually on a soft cloth to prevent scratches or other damages occurring to the parts.

We have taken great care in the design of this product and request that you carefully and strictly follow our assembly instructions to ensure a completed product as it was designed.

Home Styles



Part List



Hardware List



Adjustable Pin
16 pcs. (+1 extra)



Cam Lock
30 pcs. (+1 extra)



Pull Handle
2 pcs.



Pull Handle
4 pcs.



**Wood Screw (long)
for Drawer Side Part**
8 pcs. (+1 extra)



Wood Screw (short)
22 pcs. (+1 extra)



Cam Lock Screw
30 pcs. (+1 extra)



Machine Screw
8 pcs.

Tools required for assembly : **Phillips** screwdriver

Tools recommended for assembly : Level

Home Styles Consumer Assistance Line 888-680-7460 and 877-831-0319

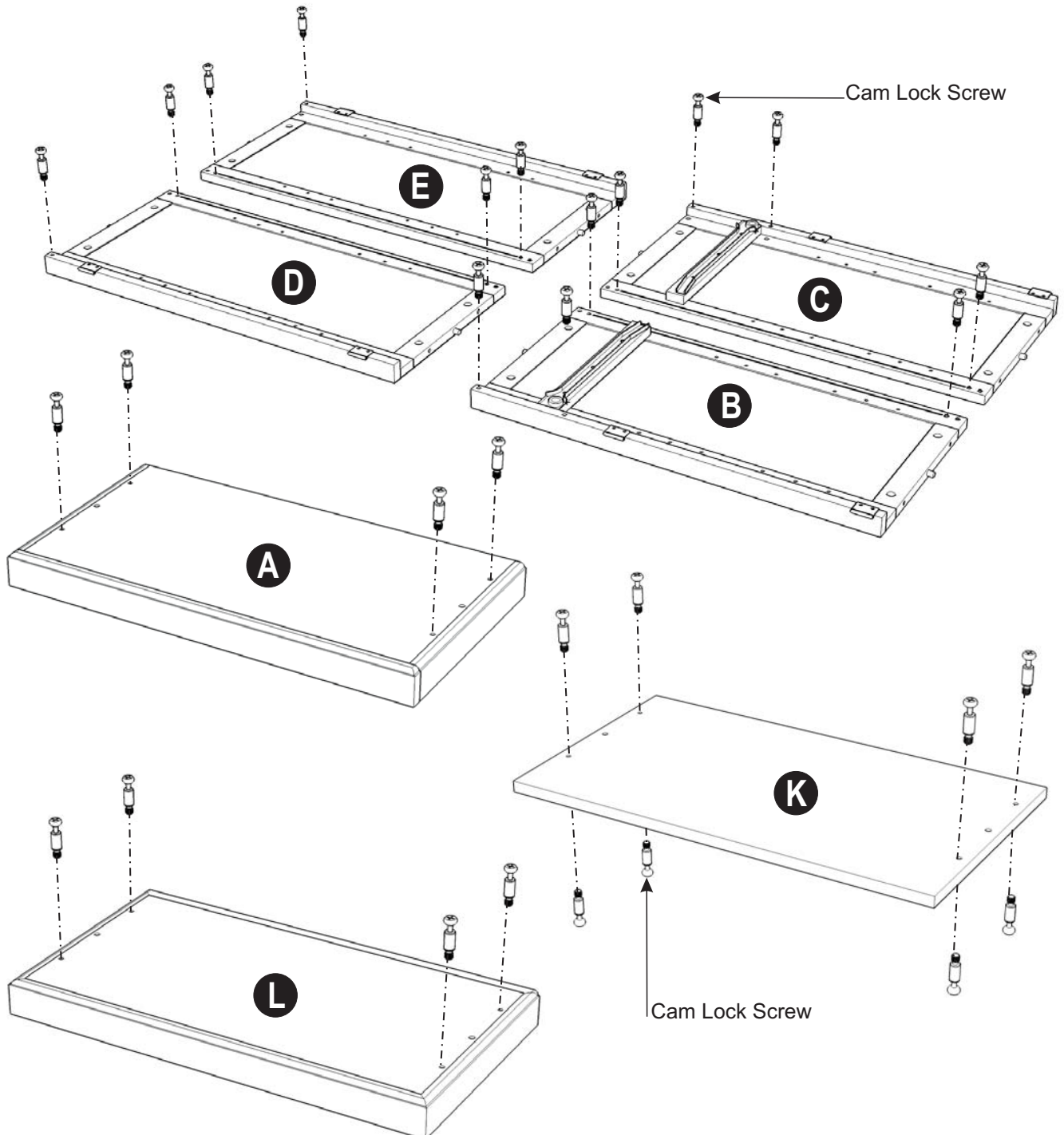
servicedesk@homestyles-furniture.com

Revised date : 15May2012

Assembly Instructions 2/6

IMPORTANT

- * Do not tighten up all the screws until each part is properly assembled.
- * You should keep Hex Wrench in a safe place as you may need to tighten up the Head Cap Bolts in the future.
- * After assembly item must be level to work properly. Use the included adjustable levelers to level.



STEP 1

Put Cam Lock Screws into the pre-drilled holes of Top (A), (K) Side Panels (B),(C), (D), (E) Base (L) and tighten.

STEP 2

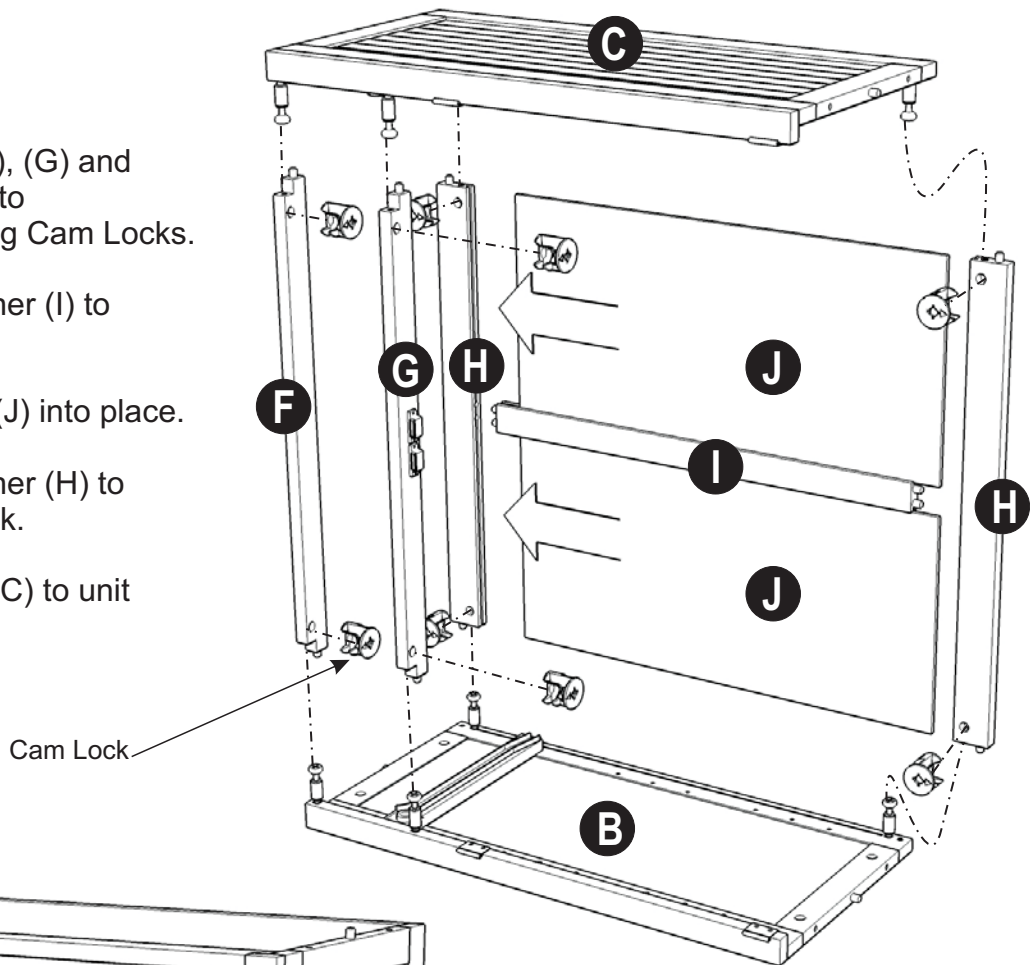
Attach Stretcher (F), (G) and Back Stretcher (H) to Side Panel (B) using Cam Locks.

Attach Back Stretcher (I) to Back Stretcher (H).

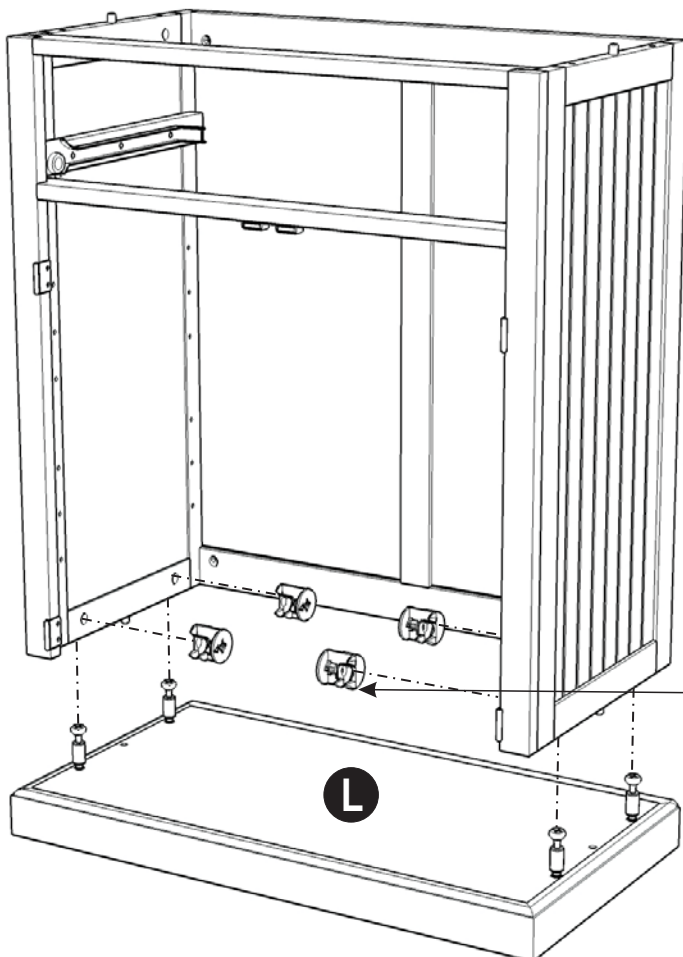
Slide Back Panels (J) into place.

Attach Back Stretcher (H) to unit using Cam Lock.

Attach Side Panel (C) to unit using Cam Locks.



Cam Lock



Cam Lock

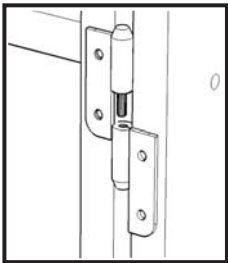
STEP 3

Attach unit from Step 2 to Base (L) using Cam Locks.

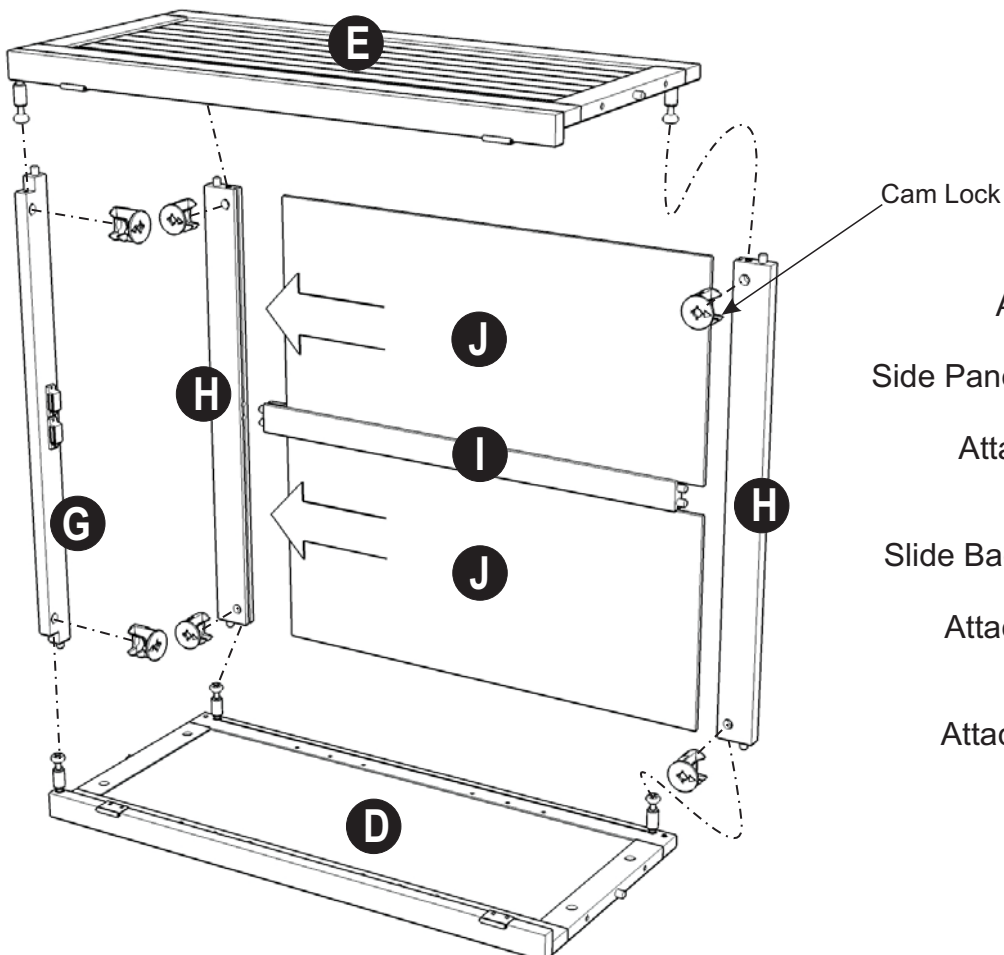
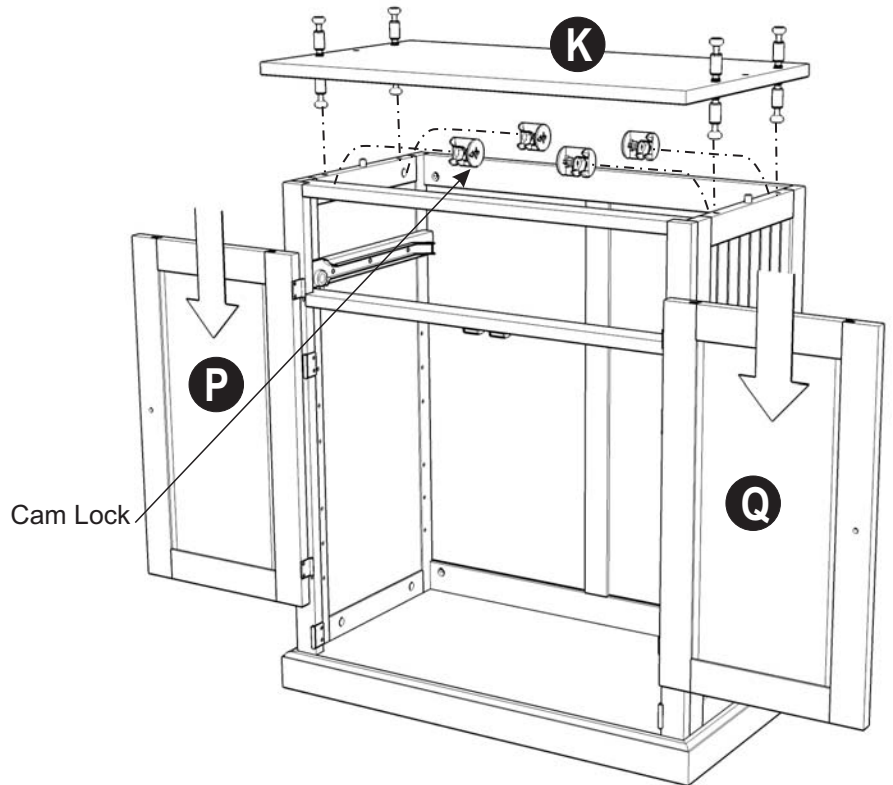
STEP 4

Attach Door (P) and (Q) to unit by sliding the door lift hinges into the Side Panel lift hinges. (see Figure 1)

Attach Top (K) to unit using Cam Locks



(Figure 1)



STEP 5

Attach Stretcher (G) and Back Stretcher (H) to Side Panel (D) using Cam Locks.

Attach Back Stretcher (I) to Back Stretcher (H).

Slide Back Panels (J) into place.

Attach Back Stretcher (H) to unit using Cam Lock.

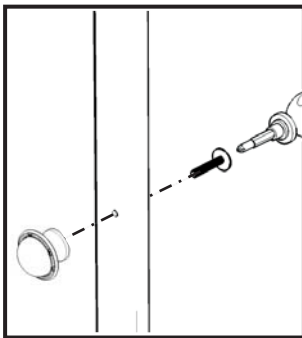
Attach Side Panel (E) to unit using Cam Locks.

STEP 6

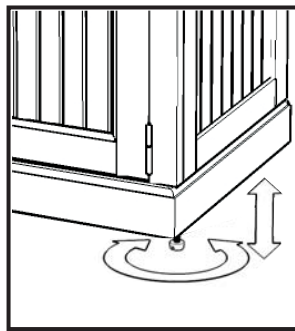
Attach unit from Step 5 to Top (K) using Cam Locks

Attach Door (N) and (O) to unit by sliding the door lift hinges into the Side Panel lift hinges.

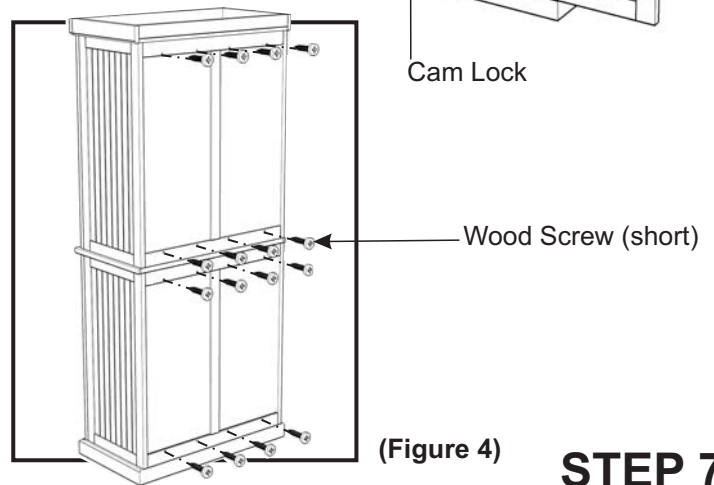
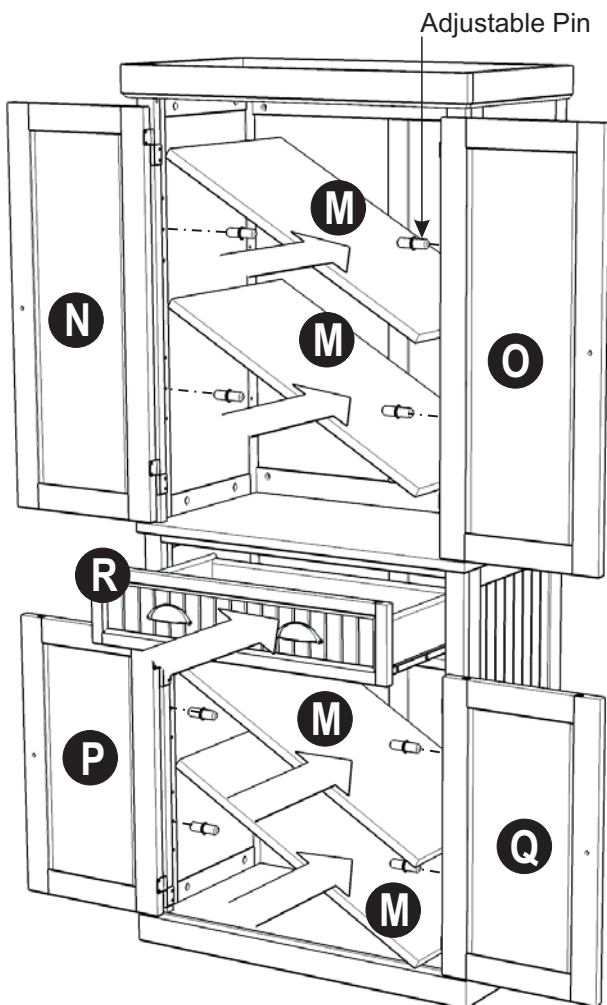
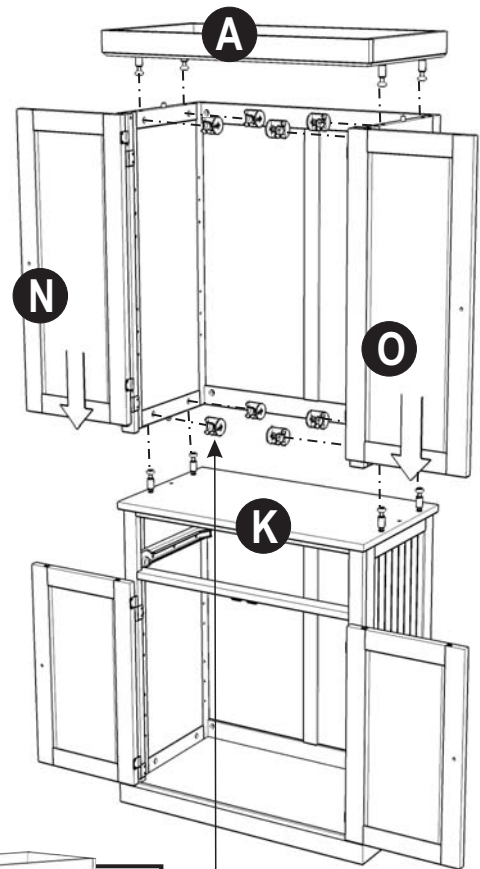
Place Top (A) onto unit using Cam Locks.



(Figure 2)



(Figure 3)



(Figure 4)

STEP 7

Attach the Door Pull Handle to Doors (N), (O), (P) and (Q) using Machine Screws. (see Figure 2)

Insert the Adjustable Pins into both Side Panels at the desired level.

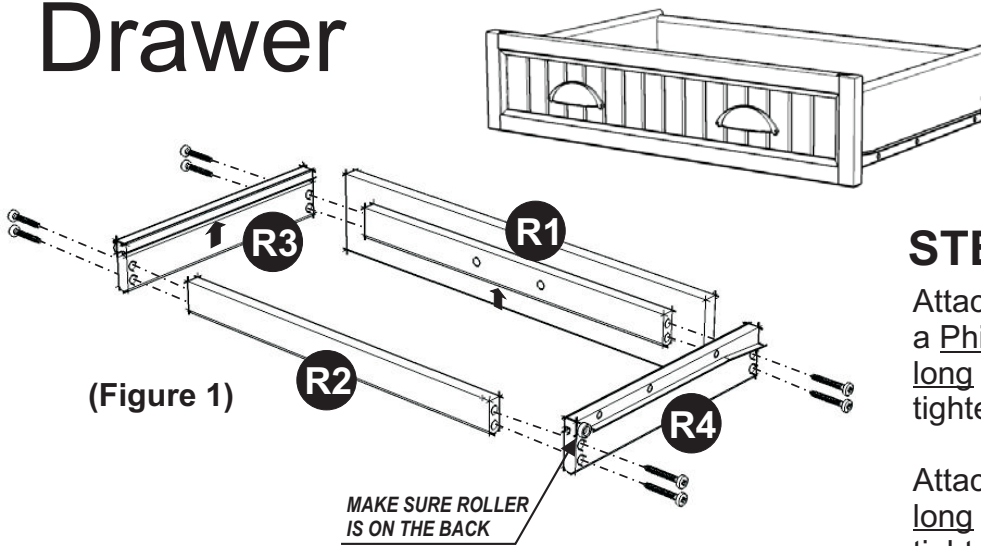
Place Shelves (M) and Drawer (R) into position.

To level the unit, adjust the adjustable levelers on the bottom of unit. (see Figure 3)

Insert 16X Wood Screws (short) from the back of the unit and tighten. (see Figure 4)

Note: Unit must be level before tightening these screws.

Drawer



(Figure 1)

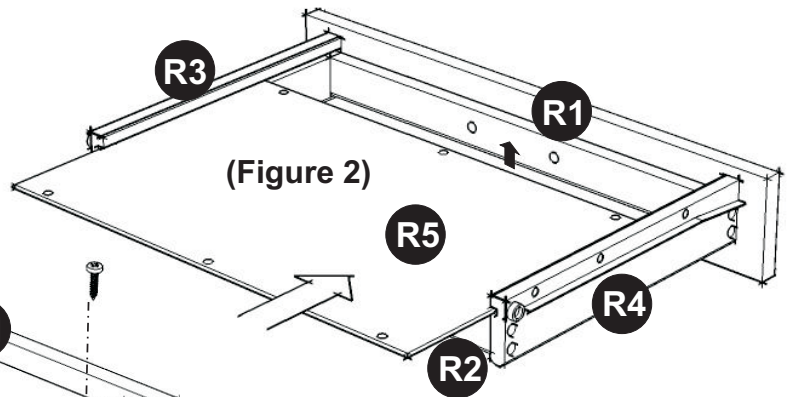
STEP 1

Attach R1 to R3 and R4, using a Phillips screwdriver and long wood screws (4X), tighten halfway.

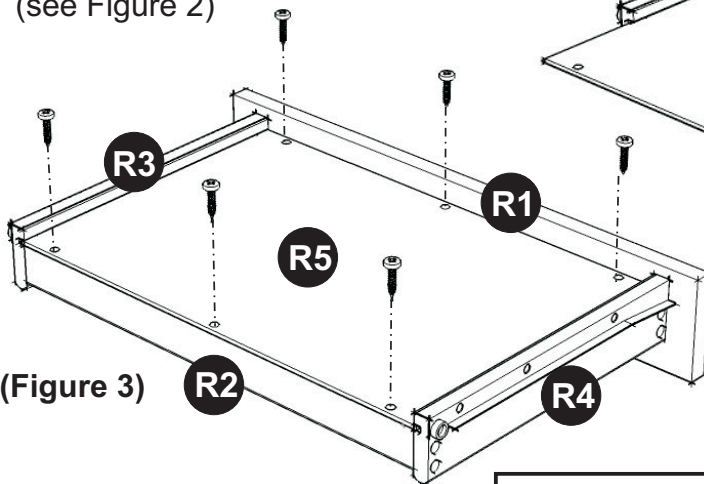
Attach R2 to R3 and R4 using long wood screws (4X), tighten halfway. (see Figure 1)

STEP 2

Slide R5 into the grooves in R3 and R4. Be sure to push R5 all the way forward to it meets R1. (see Figure 2)



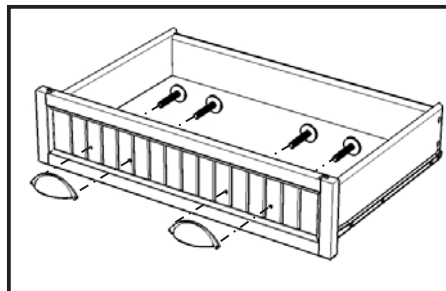
(Figure 2)



(Figure 3)

STEP 3

Insert short wood screws (6X) into the pre-drilled holes in R5, tighten screws. (see Figure 3)



(Figure 4)

STEP 4

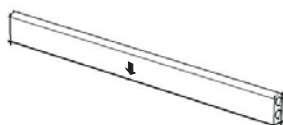
Attach hardware pulls with machine screws. (see Figure 4)

Tighten all screws used in drawer assembly.

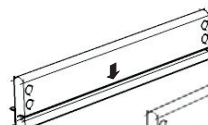
Part List



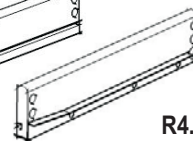
R1.
Front Part
1 pc.



R2.
Back Part
1 pc.



R3.
Side Part
1 pc.



R4.
Side Part
1 pc.



R5.
Base Part
1 pc.