

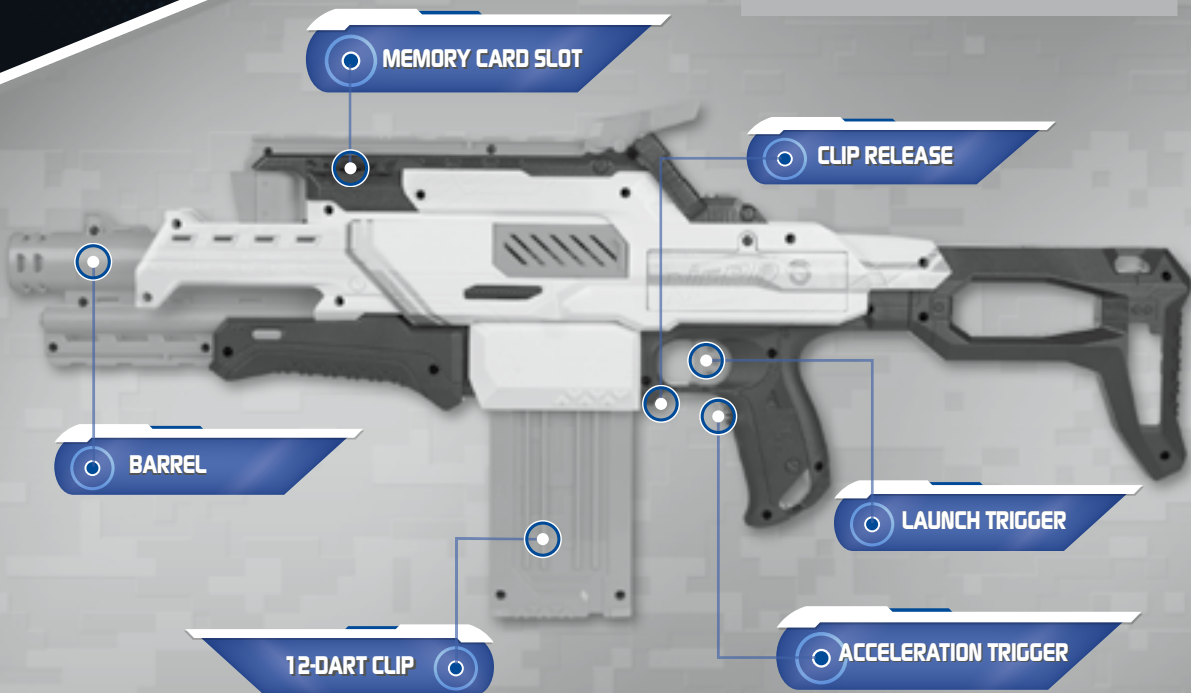
# NERF®

AGES 8+



## CAUTION:

Do not aim at eyes or face. TO AVOID INJURY: Use only darts designed for this product. Do not modify darts or dart blaster.



Be sure to read and follow all instructions carefully before using this product.

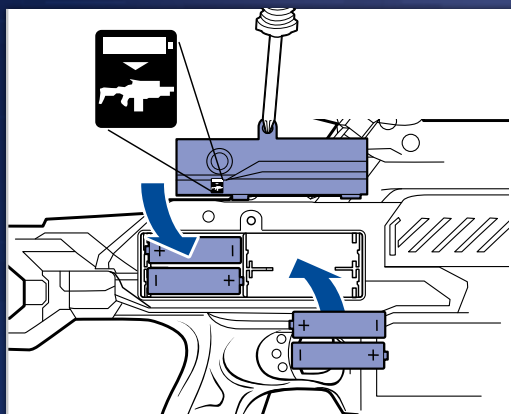
# NERF CAM ECS-12™



TM

## TO INSERT BATTERIES

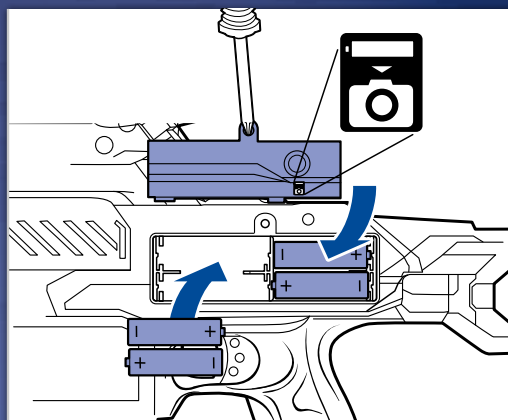
### Blaster



**x4** 1.5V AA  
**ALKALINE  
BATTERIES  
REQUIRED**  
NOT INCLUDED

Use a Phillips/cross  
head screwdriver  
(not included).

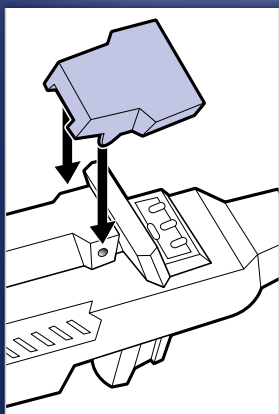
### Camera



**x4** 1.5V AA  
**ALKALINE  
BATTERIES  
REQUIRED**  
NOT INCLUDED

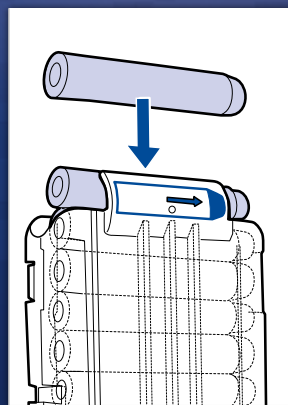
Use a Phillips/cross  
head screwdriver  
(not included).

## ATTACH SHIELD



Attach camera  
shield to blaster.

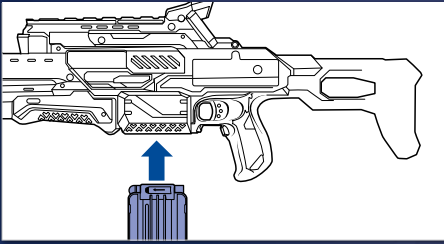
## LOADING DARTS



Load darts into  
QUICK-RELOAD  
CLIP.

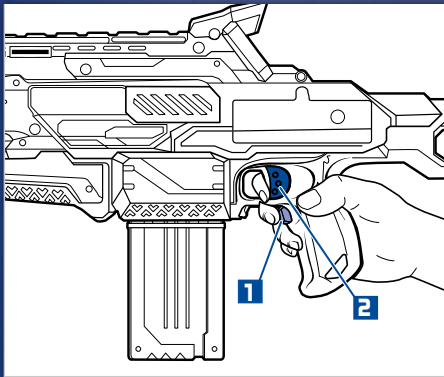
- Be sure darts are inserted in direction indicated on CLIP.
- Insert 1 dart at a time and push down.
- CLIP can hold up to 12 darts.

## ○ INSERTING CLIP



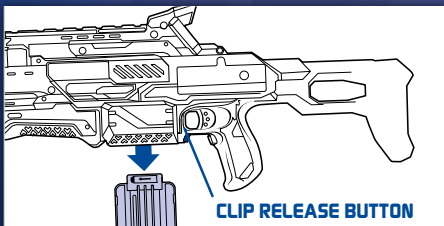
Insert **CLIP** into **BLASTER** (make sure arrow on **CLIP** points away from **LAUNCH TRIGGER**).

## ○ FIRING



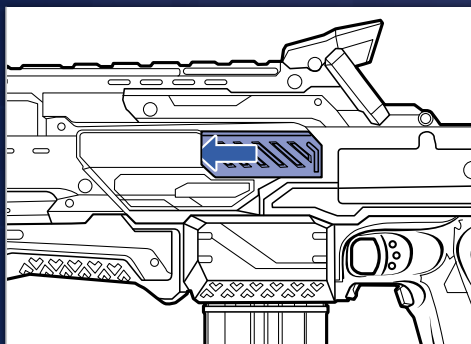
1. Press and hold the **ACCELERATION TRIGGER** to turn on the motor.
2. While holding the **ACCELERATION TRIGGER**, pull the **LAUNCH TRIGGER** to fire. One dart will fire per pull of the **LAUNCH TRIGGER**.

## ○ RELOADING



1. Press **CLIP RELEASE BUTTON** to remove **CLIP**.
2. Repeat steps for loading darts.

## CLEARING A JAM



If blaster appears jammed:


1. Release ACCELERATION TRIGGER.
2. Open JAM CLEARING DOOR and remove any jammed darts. Close door.

**NOTE:** Blaster will not function unless JAM CLEARING DOOR is fully closed.

## SD CARD











With the SD card, you can save videos and photos on the memory card to share them with friends and family on multiple platforms.

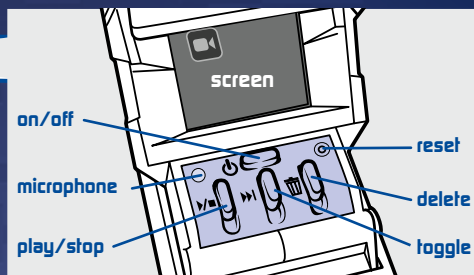
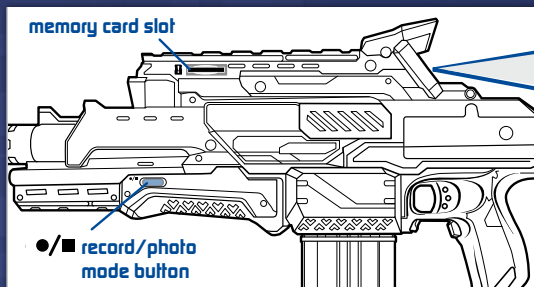
- Make sure the write protection switch on the card is not in the “locked” position.
- Insert the card into the slot.
- Blaster system is compatible with SD and SDHC cards from 32MB to 32GB.
- If this icon  appears, check to see:
  - if the write protection switch on your card is in the “locked” position
  - if your card is full
  - if it is not compatible with the blaster system
  - if it is missing from the blaster.

### FORMATTING THE SD CARD

Format the SD card only if you want to erase all data from the card.

1. Power down the blaster.
2. Insert the card you want to format into the blaster.
3. While holding down the delete button , press on/off button . Hold the delete button until the Format menu appears.
4. The “no” icon  will be highlighted on the screen. Press the toggle button  to highlight the “yes” icon .
5. Press the delete button . The data on the SD card will be deleted.
6. Press record/photo mode button  or play/stop  button to cancel formatting.

# Camera



## TO TURN CAMERA ON:

Press on/off button . There will be a slight delay as the camera powers up.

## TO RECORD A VIDEO:

Press toggle button until you see the record icon in the upper left corner of the screen. Press record button to start recording. To stop recording: Press record/photo mode button .

## TO TAKE A PHOTO:

Press toggle button until you see the photo icon in the upper left corner of the screen. Press record button to take a photo.

## TO VIEW VIDEOS AND PHOTOS:

Press play/stop button . Press toggle button to scroll through your videos and photos. Press the play/stop button to play a recorded video.

## TO DELETE VIDEOS AND PHOTOS:

Locate the video or photo you wish to delete (see “To view videos and photos” section). Press the delete button . Press the toggle button to highlight the “yes” icon , and press the delete button to confirm. To cancel deletion, press the toggle button until the “no” icon is highlighted, and press record/photo mode button or play/stop button .

## RESET BUTTON:

Press the reset button if the camera functions are not working properly or the screen is frozen because the device was subjected to an electrostatic discharge (static shock). Use the tip of a pen to press the button.

## LOW BATTERY INDICATOR:

This icon will appear on the screen if the batteries are low.

## AUTO SHUT-OFF:

The camera automatically shuts off if left inactive for approximately two minutes. There will be a 10-second countdown on-screen to warn you. Press any key to wake the camera. After 10 seconds, the camera powers down, and you will need to press the on/off button to power up the camera.

# IMPORTANT: BATTERY INFORMATION



## CAUTION:

### 1. TO AVOID BATTERY LEAKAGE

- a. Always follow the instructions carefully. Use only batteries specified and be sure to insert them correctly by matching the + and – polarity markings.
- b. Do not mix old batteries and new batteries or standard (carbon-zinc) with alkaline batteries.
- c. Remove exhausted or dead batteries from the product.
- d. Remove batteries if product is not to be played with for a long time.
- e. Do not short-circuit the supply terminals.
- f. **RECHARGEABLE BATTERIES:** Do not mix these with any other types of batteries. Always remove from the product before recharging. Recharge batteries under adult supervision. **DO NOT RECHARGE OTHER TYPES OF BATTERIES.**

2. Should this product cause, or be affected by, local electrical interference, move it away from other electrical equipment. Reset (switching off and back on again or removing and re-inserting batteries) if necessary.

#### FCC STATEMENT

This device complies with Part 15 of the FCC Rules. Operation is subject to the following two conditions: (1) This device may not cause harmful interference, and (2) this device must accept any interference received, including interference that may cause undesired operation.

**NOTE:** This equipment has been tested and found to comply with the limits for a Class B digital device, pursuant to Part 15 of the FCC Rules. These limits are designed to provide reasonable protection against harmful interference in a residential installation. This equipment generates, uses and can radiate radio frequency energy, and, if not installed and used in accordance with the instructions, may cause harmful interference to radio communications. However, there is no guarantee that interference will not occur in a particular installation. If this equipment does cause harmful interference to radio or television reception, which can be determined by turning the equipment off and on, the user is encouraged to try to correct the interference by one or more of the following measures:

- Reorient or relocate the receiving antenna.
- Increase the separation between the equipment and receiver.
- Consult the dealer or an experienced radio/TV technician for help.

**CAUTION:** Changes or modifications to this unit not expressly approved by the party responsible for compliance could void the user's authority to operate the equipment.

CAN ICES-3 (B) / NMB-3 (B)

Product and colors may vary.

YouTube and the YouTube logo are trademarks of Google Inc.

© 2013 Hasbro. All Rights Reserved.

TM & © denote U.S. Trademarks.

EC Reg. Des. App. & Reg. Des. No. EC00130484-0003.

A6572

PN 7478950000



**Hey NERF Nation!**

Join us online and keep up with the latest and greatest NERF news!



Ask a parent before going online.

Questions? Call 1-800-327-8264