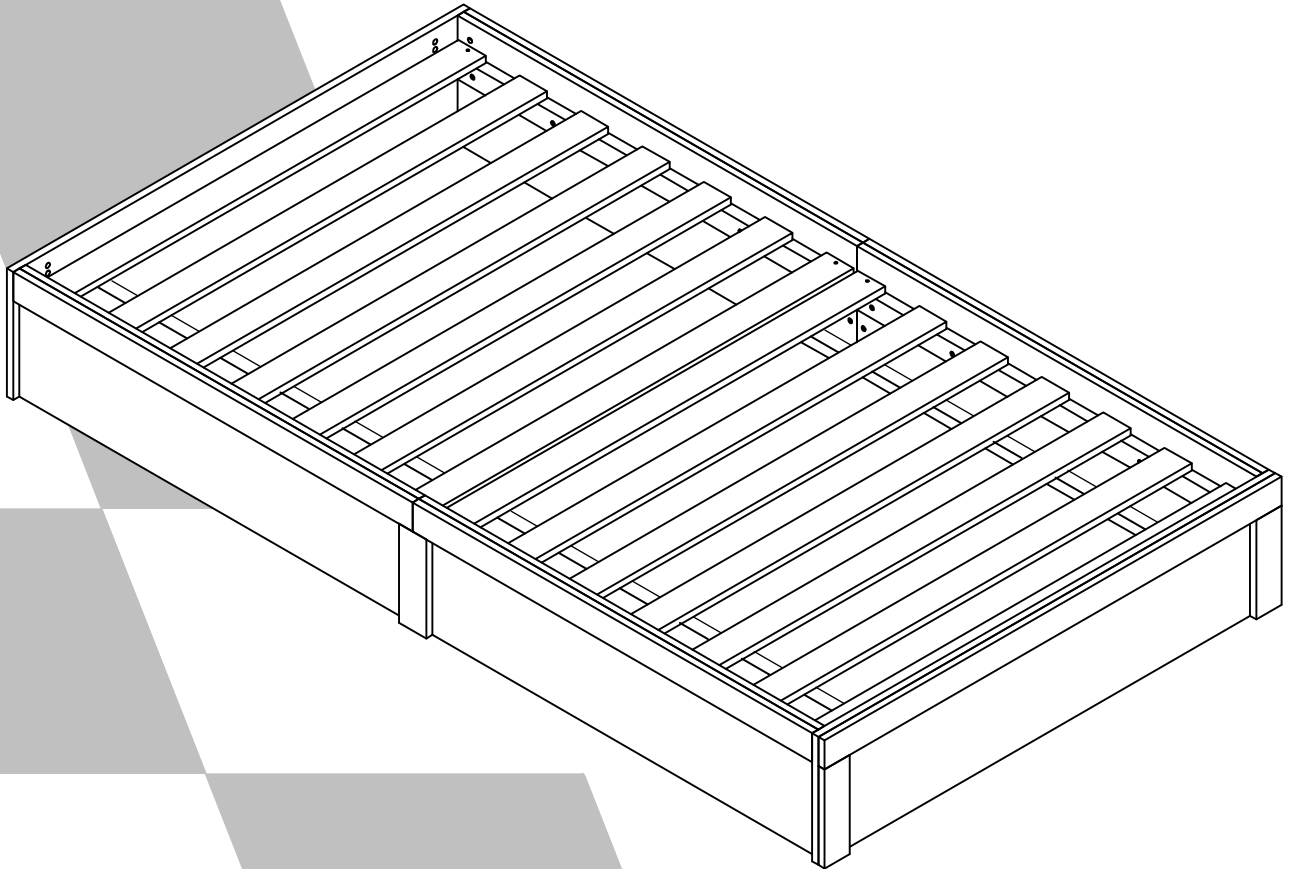


5950330COM
Twin Platform Bed

Ameriwood
HOME

B345950330COM00



Keep this Assembly Manual for future reference

ameriwoodhome.com



WARNING

Unit can tip over causing severe injury or death.

- Anchor unit to stud in wall
- Do Not allow children to climb on unit
- Put heavy items on lower shelves or drawers
- Two people required for assembly



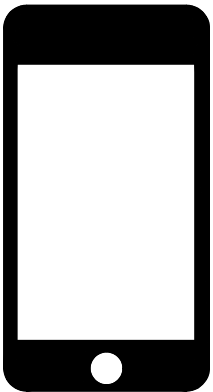
Follow Ameriwood Home



Warning

Do NOT return this product!

Contact our friendly customer service team first for help.



Call us!

1-800-489-3351
Monday-Friday
9am - 5pm CST



Visit ameriwoodhome.com

Assembly Tips



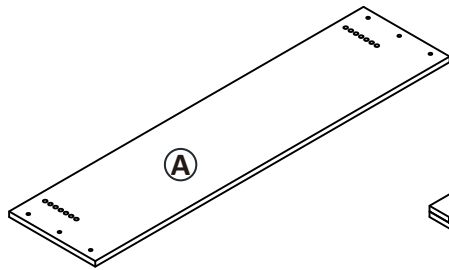
Helpful Hints

- Open your item in the area you plan to keep it for less heavy lifting
- Identify, sort and count the parts before attempting assembly
- Compression dowels are tapped in with a hammer
- Slides are labeled with a **R** (right) and **L** (left) for proper placement
- Make sure to always face the point on the top of the Cam Lock towards the outer edge
- Use all the nails provided for the back panel and spread them out equally
- Back panel must be used to make sure your unit is sturdy
- Do NOT use harsh chemicals or abrasive cleaners on this item
- Never push, pull, or drag your furniture

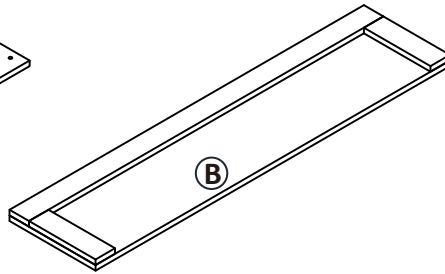


Board Identification

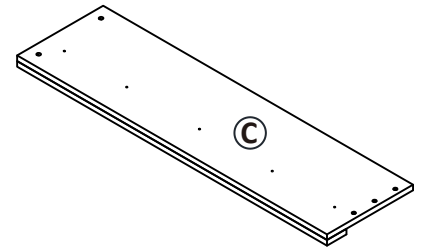
Not actual size



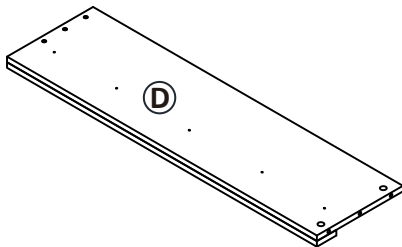
Headboard
T5950330010



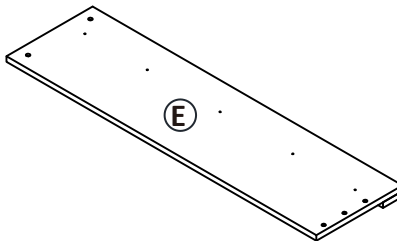
Footboard
T5950330020



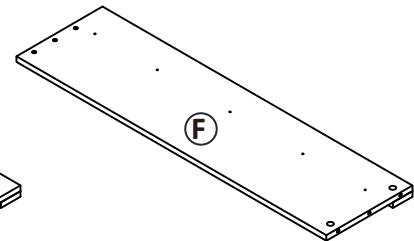
Left Side Rail L1
T5950330030



Left Side Rail L2
T5950330040



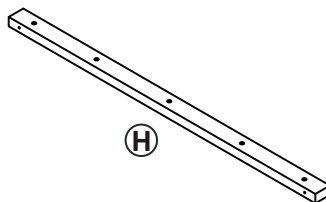
Right Side Rail R1
T5950330050



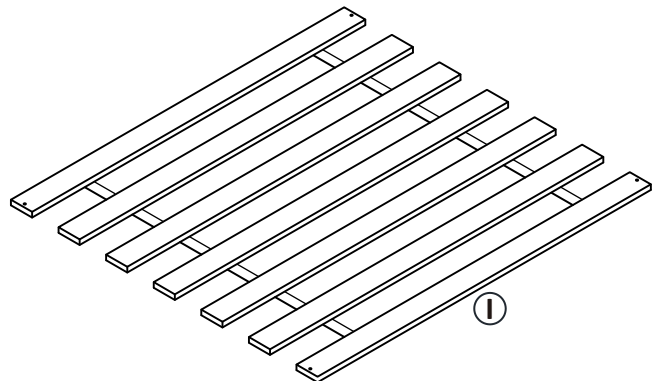
Right Side Rail R2
T5950330060



Connecting Panel(2)
T5950330070



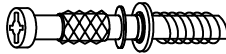
Side Rail Support Bar(4)
T5950330080



Bed Slats(2)
T5950330090

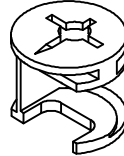
Part List

Actual Size



① x4

Cam Bolt
TPB0001



② x4

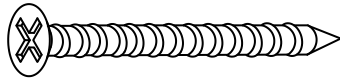
Cam Lock (15/12)
TPB0002



Ø8x30mm

④ x4

Wood Dowel
TPB0004



Ø4.7x38mm

⑧ x28

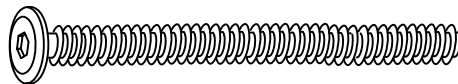
Csk Screw
TPB0008



Ø4x25mm

⑨ x12

Csk Screw
TPB0009



Ø6x55mm

⑲ x4

JCBC Screw
TPB0029



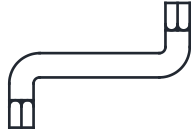
Ø6x13mm

⑳ x4

Barrel Nut
TPB0030

Part List

Not Actual Size



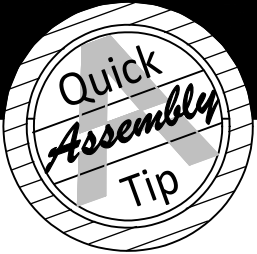
⑮ x1

Allen Key
TPB0015

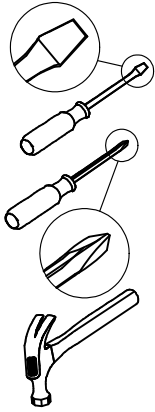


⑯ x1

Glue
TPB0016



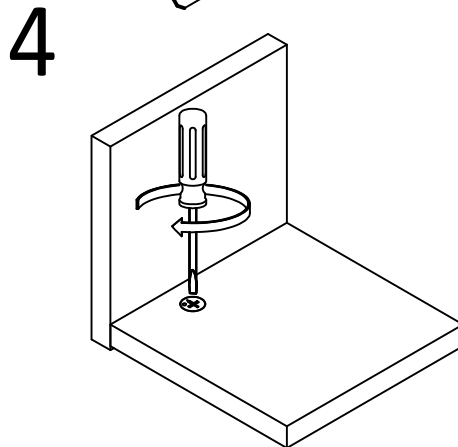
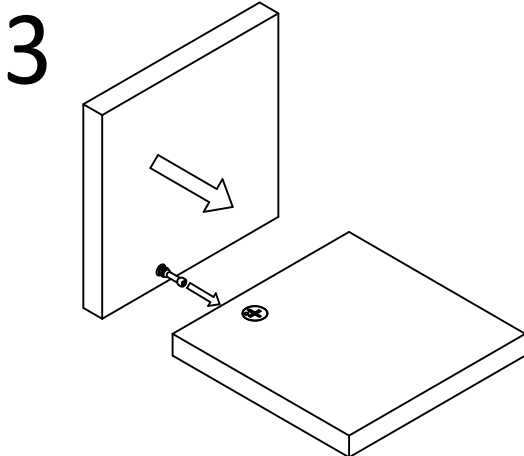
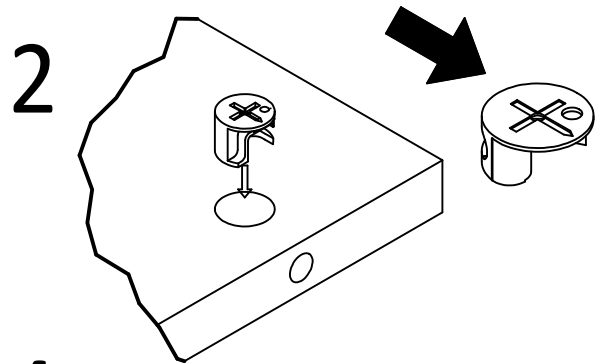
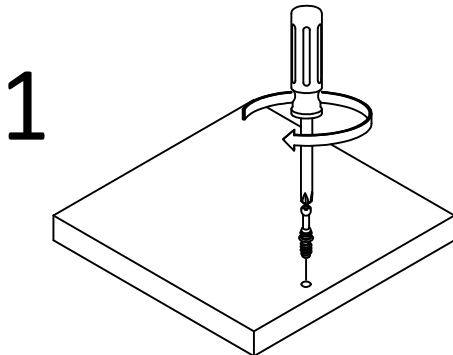
Before You Start



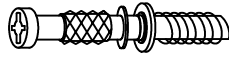
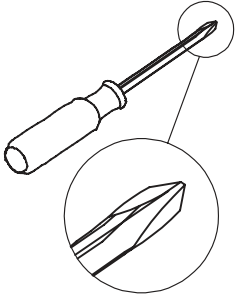
- ✓ Read through each step carefully and follow the proper order
- ✓ Separate and count all your parts and hardware
- ✓ Give yourself enough room for the assembly process
- ✓ Have the following tools: Flat Head Screwdriver, Phillips Head Screwdriver and Hammer
- ✓ Caution: If using a power drill or power screwdriver for screwing, please be aware to slow down and stop when screw is tight. Failure to do so may result in stripping the screw.

Cam Lock Fastening System

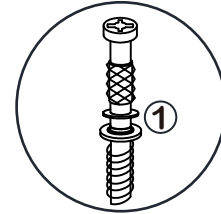
This Cam Lock Fastening System will be used throughout the assembly process.



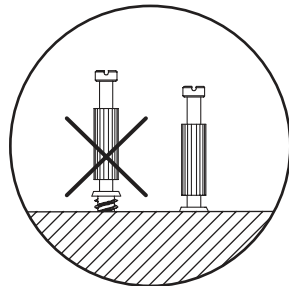
Step 2



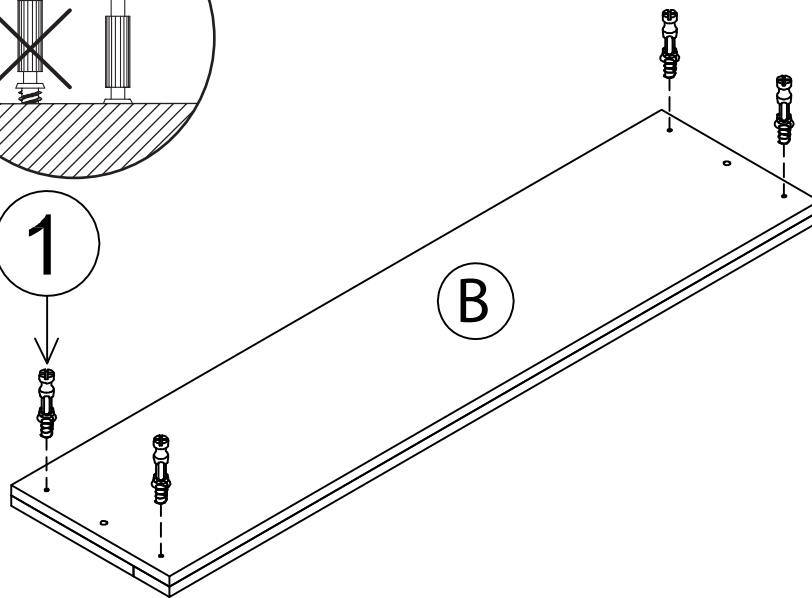
① x4
TPB0001



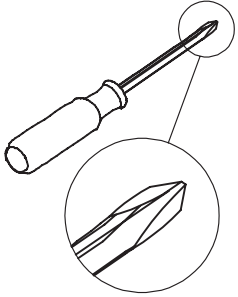
Do not over tighten
No lo presione tanto
ne pas serrer excessivement



1



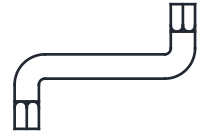
Step 3



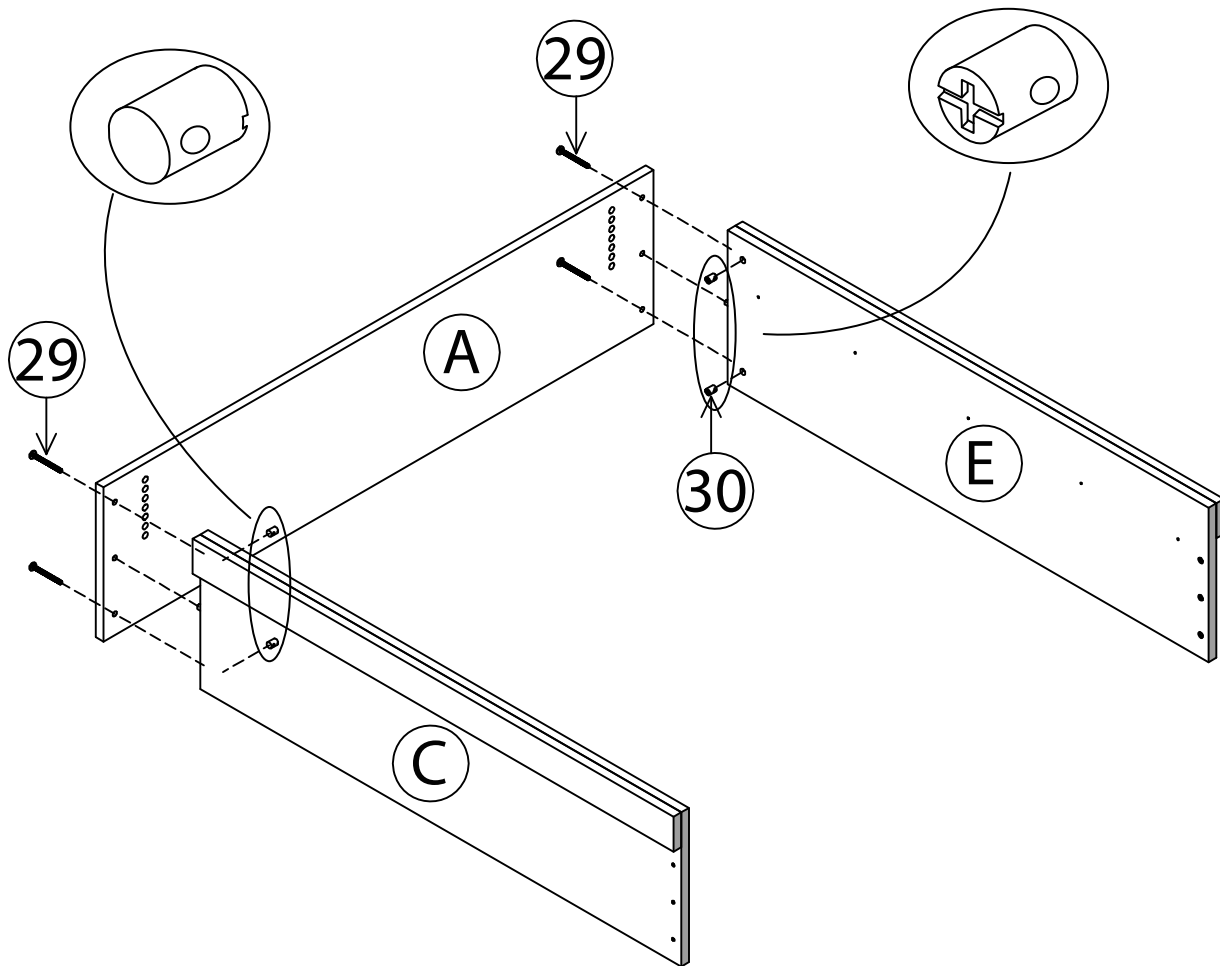
29 x4
TPB0029



30 x4
TPB0030

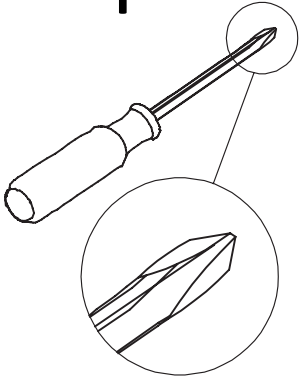


15 x1
TPB0015

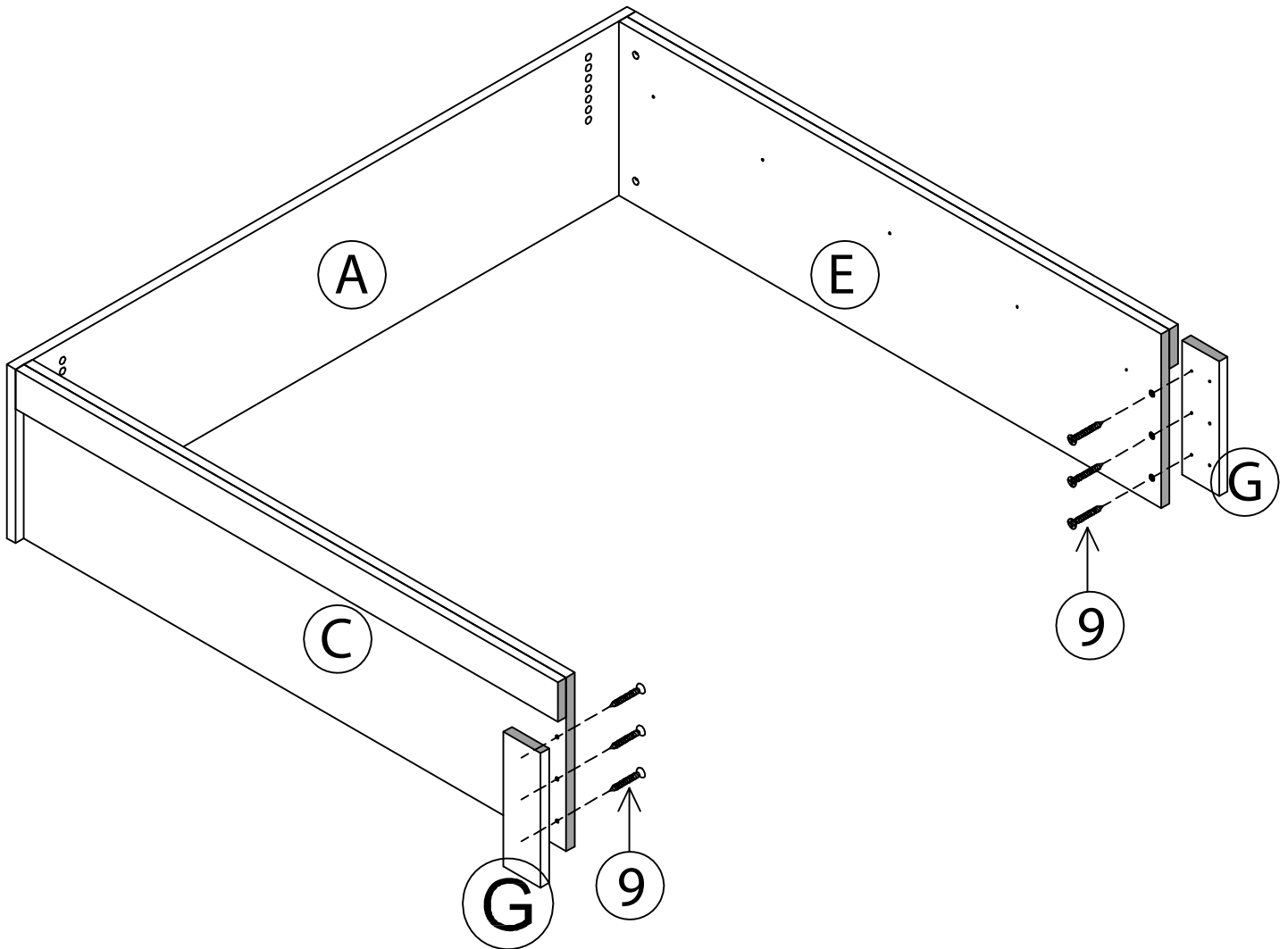


* Raw edges are shaded
ameriwoodhome.com

Step 4

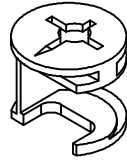
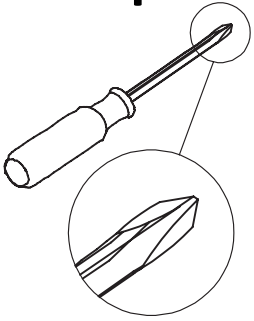


⑨ x6
TPB0009

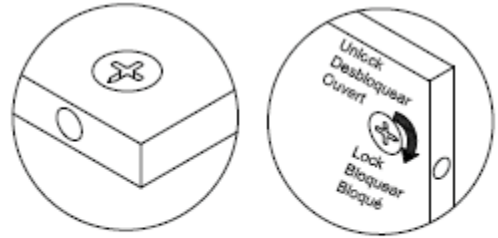


* Raw edges are shaded
ameriwoodhome.com

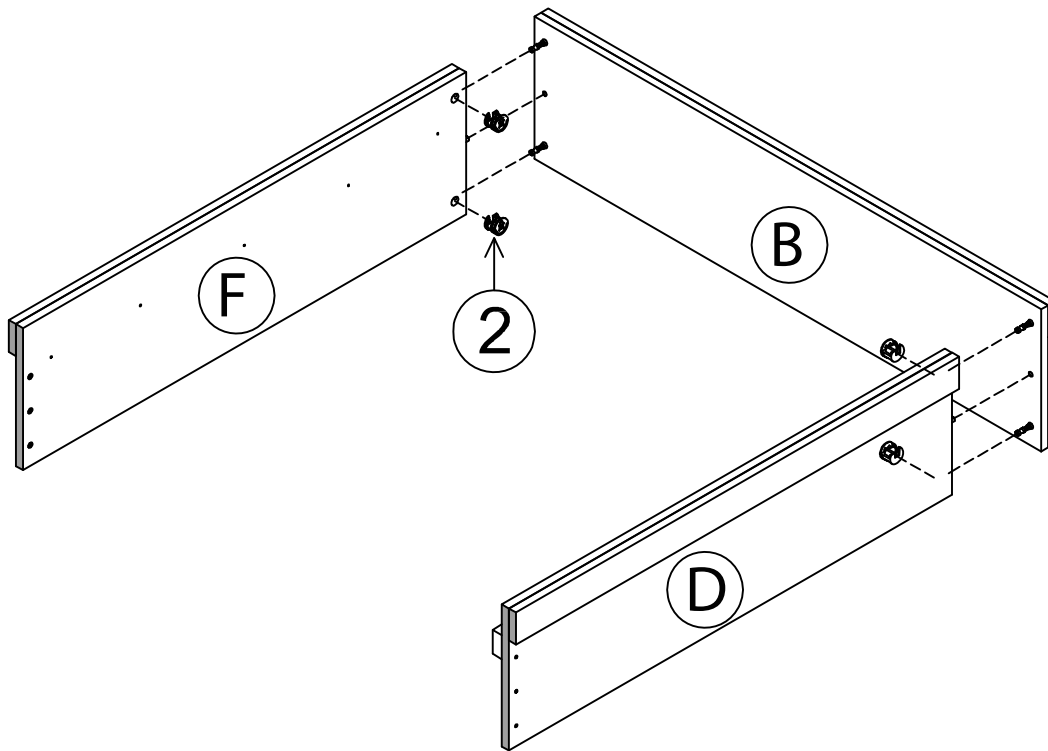
Step 5



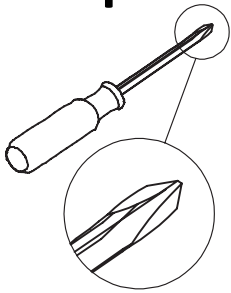
② x4
TPB0002



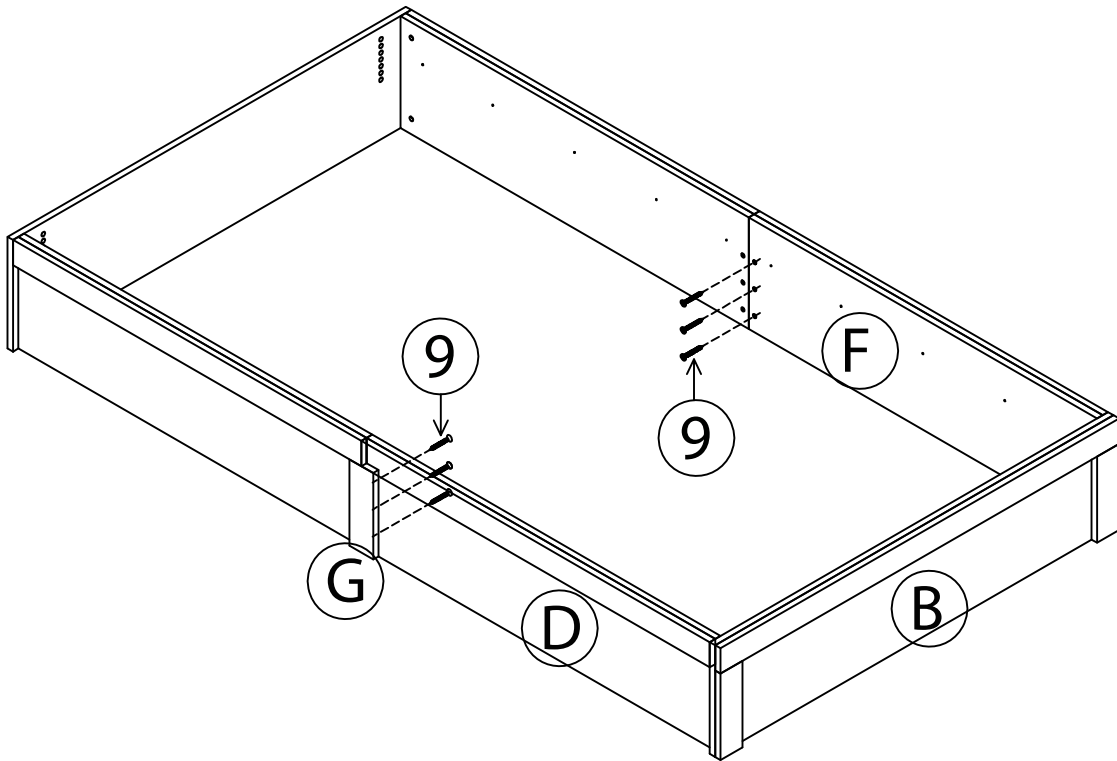
Proper orientation of cam lock
La orientacion apropiada para el seguro de bloqueo
Bonne orientation du dispositif de blocage à came



Step 6

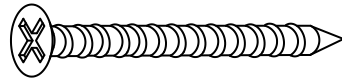
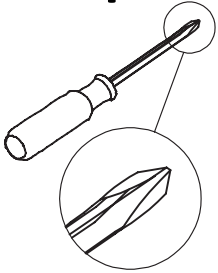


⑨ x6
TPB0009



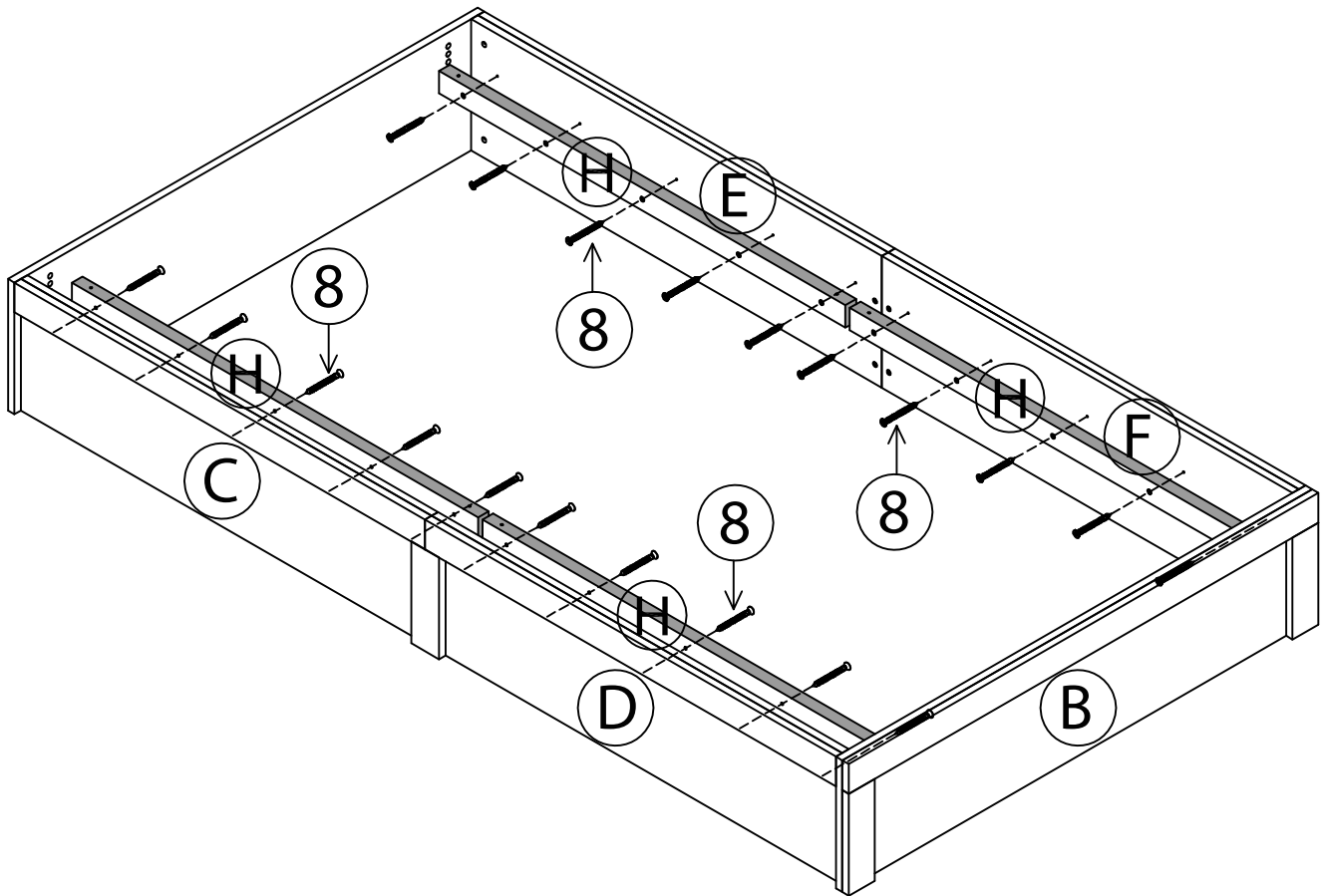
* Raw edges are shaded
ameriwoodhome.com

Step 7



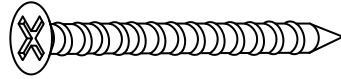
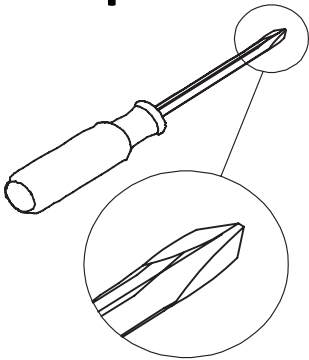
⑧ x20

TPB0008

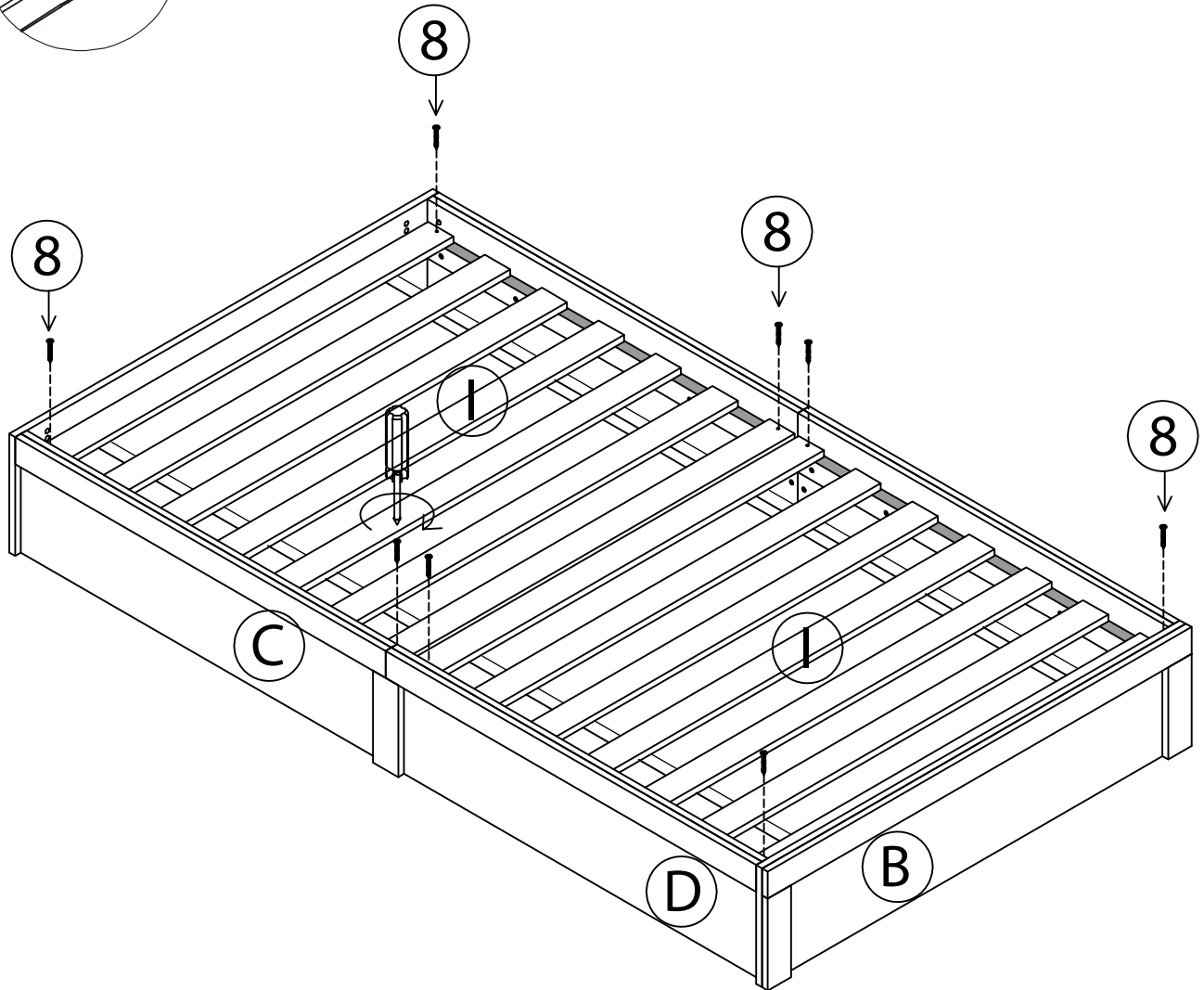


* Raw edges are shaded
ameriwoodhome.com

Step 8



⑧ x8
TPB0008



* Raw edges are shaded
ameriwoodhome.com

5950330COM Twin Platform Bed

MAXIMUM LOADS

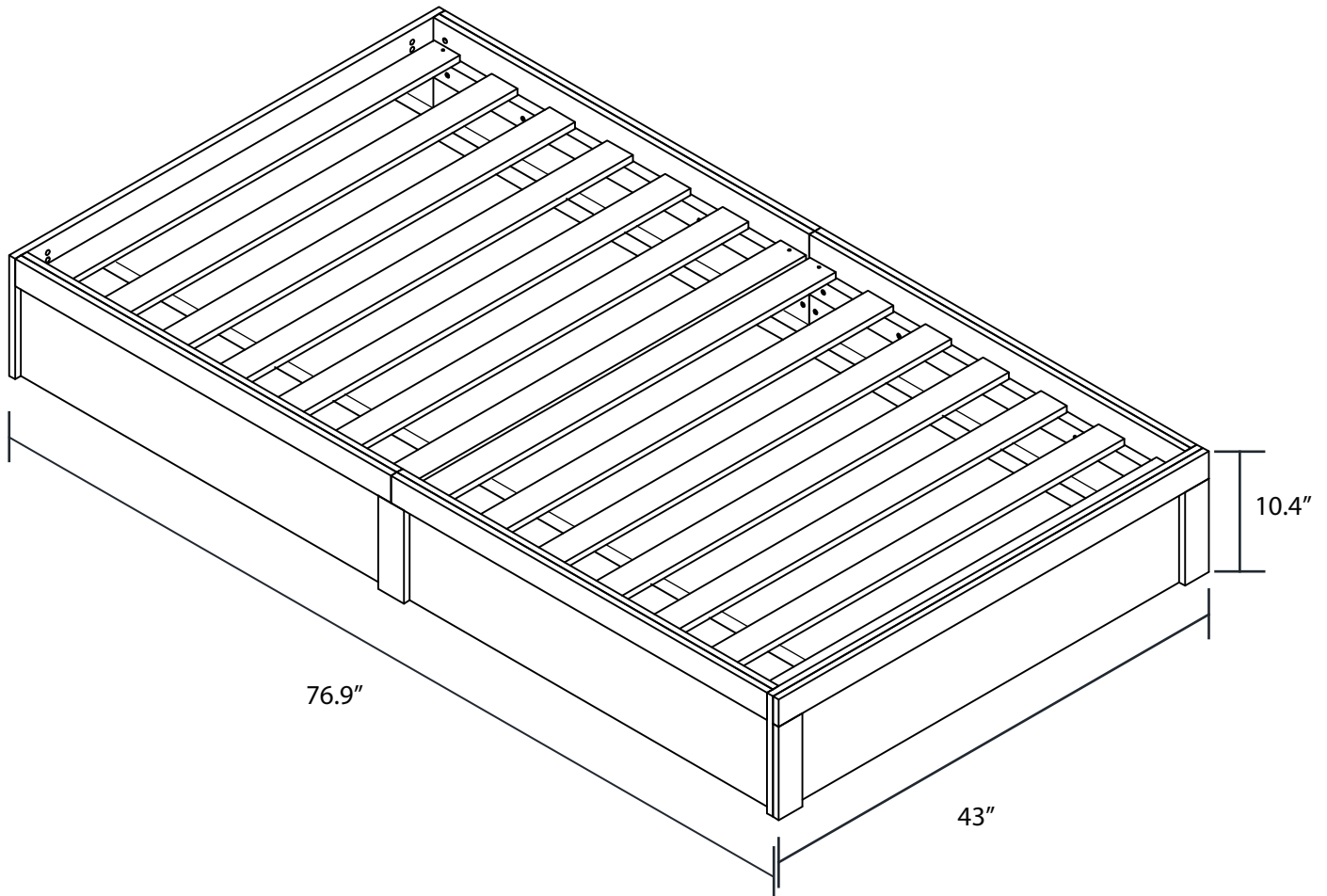
This unit has been designed to support the maximum loads shown. Exceeding these load limits could cause sagging, instability, product collapse, and/or serious injury.

CARGA MAXIMA

Esta unidad ha sido diseñada para soportar la carga máxima anotada. El exceder estos límites puede causar inestabilidad, colapsarse y/o causar serias lesiones.

CHARGES MAXIMALES

Ce meuble a été conçu pour supporter les charges maximales indiquées. En excédant ces limites de charge, le meuble pourrait devenir instable, s'effondrer, et/ou causer des blessures graves.



Maximum weight 300 lbs / 136 kgs. MAX

Peso máximo 300 lbs / 136 kgs. MAX

Poids maximal 300 lbs / 136 kgs. MAX

Certificate of Conformity

1. This certificate applies to the Dorel Home Furnishings, Inc. product identified by this instruction manual.
2. This certificate applies to compliance of this product with the CPSC Ban on Lead-Containing Paint (16 CFR 1303).
3. This product is distributed by: Dorel Home Furnishings, Inc.
410 East First Street South
Wright City, MO 63390
636-745-3351
4. Site of Manufacture:
 Shah Alam, Malaysia.
5. See front page of instruction manual for date of manufacture.

Certificado de Conformidad

1. Este certificado se aplica al producto de Dorel Home Furnishings, Inc. identificado por este manual de instrucciones.
2. Este certificado se aplica a la conformidad de este producto con la prohibición de la CPSC sobre pintura que contiene plomo (16 CFR 1303).
3. Este producto es distribuido por: Dorel Home Furnishings, Inc.
410 East First Street South
Wright City, MO 63390
636-745-3351
4. Sitio de Fabricación:
 Shah Alam, Malaysia.
5. Vea la primera página del manual de instrucciones para la fecha de fabricación.

Certificat de Conformité

1. Ce certificat s'applique au produit Dorel Home Furnishings, Inc. identifié par ce manuel d'instructions.
2. Ce certificat s'applique à la conformité de ce produit à l'interdiction de la CSPC relative à la peinture contenant du plomb (16 CFR 1303).
3. Ce produit est distribué par: Dorel Home Furnishings, Inc.
410 East First Street South
Wright City, MO 63390
636-745-3351
4. Site de Fabrication:
 Shah Alam, Malaysia.
5. Voir la page d'accueil du manuel d'instructions pour la date de fabrication.

Register your product to receive the following:



- * New trend details - sneak peek on what's new
- * Surveys - have a voice within our community
- * Exclusive deals and discount codes
- * Quick and easy replacement part service

To register your product, visit littleseedskids.com

5 Star Rating



Visit your local retailer's website, rate your purchased product and leave us some feedback!

We would like to extend a big "Thank You" to all of our customers for taking the time to assemble this Little Seeds product, and to give us your valuable feedback.

*Thank
You!*

Registre su producto para recibir lo siguiente:



- * Detalles de nuevas tendencias - Vistazo a lo nuevo
- * Encuestas - aloc su voz entre su comunidad
- * Códigos de ofertas y descuentos exclusivos
- * Fácil y rápido servicio de partes de remplace

Para registrar su producto, visite littleseedskids.com

Clasificación de 5 estrellas



Visite el sitio web de su tienda local, califique su comprado
y denos sus comentarios!

Nos gustaría enviar un gran "Agradecimiento" a todos nuestros clientes por tomarse el tiempo de ensamblar este producto de Little Seeds, y por darnos sus valiosos comentarios.

Gracias

Enregistrez votre produit pour recevoir les éléments suivantes:



- * Détails sur les nouvelles tendances - un aperçu sur les nouveautés
- * Sondages - avoir une voix au sein de notre communauté
- * Offres exclusives et codes promo
- * Service de pièces de rechange rapide et facile

Pour enregistrer votre produit, visitez littleseedskids.com

5 Étoiles



Visitez le site Web de votre détaillant local, évaluez votre produit acheté et laissez-nous quelques commentaires !

Nous tenons à offrir un grand "Merci" à tous nos clients pour avoir pris le temps d'assembler ce produit "Little Seeds", et de nous donner vos commentaires précieux.

Merci!