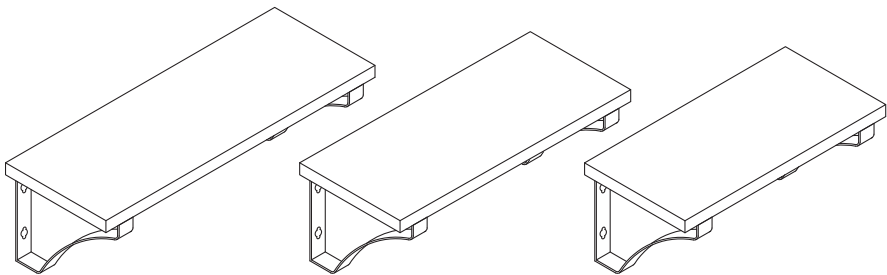
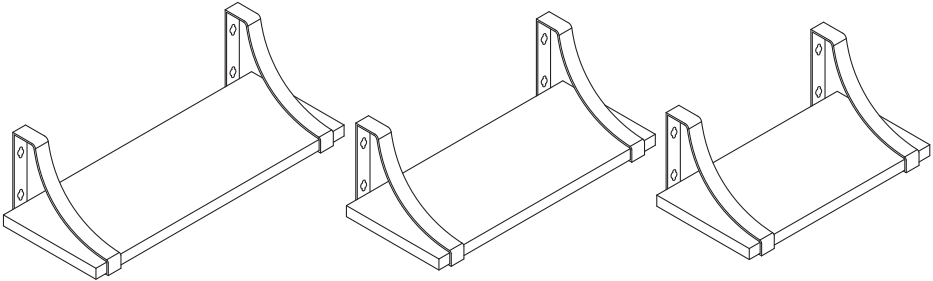


# Installation Instructions

V1.0



**AMFS02**

**AMFS03**

Thank you for choosing our product! We strive to provide the best quality and services for our customers. Would you kindly share your experience on Amazon if you are satisfied? Should you have any issues, please don't hesitate to contact us.

Email: [amada\\_supportus@163.com](mailto:amada_supportus@163.com) (US/CA/DE/UK/FR/IT/ES/JP/AU)



# IMPORTANT SAFETY INFORMATION

- Check package contents against supplied parts and hardware list to assure that all components were received undamaged. Do not use damaged or defective parts. If you require replacement parts, please contact amada customer service.
- Carefully read all instructions before attempting installation. If you do not understand the instructions or have any concerns or questions, please contact customer service. Not all parts and hardware included will be used.
- Using with caution because this product may contain moving parts.
- Do not use this product for any purpose that is not explicitly specified in this manual. Do not exceed weight capacity. We cannot be liable for damage or injury caused by improper mounting, incorrect assembly or inappropriate use. Thank you for your understanding.

## Tools Needed (Not Included)



Stud Finder



Tape Measure

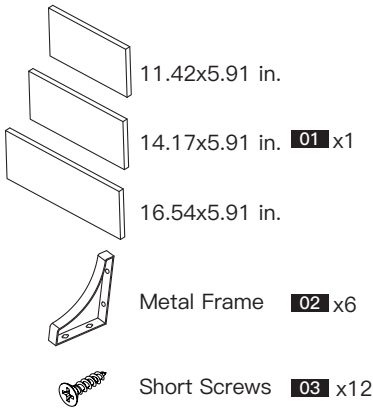


Pencil



Screwdriver

## Supplied Parts



Lag Bolts



4x50mm  
A **x6**

Lag Bolts



4x30mm  
B **x12**

Plastic Anchor



13x40mm  
C **x12**

**⚠ CAUTION!**

These plastic anchors are for drywall ONLY. DO NOT use them in concrete / brick / wood studs wall.

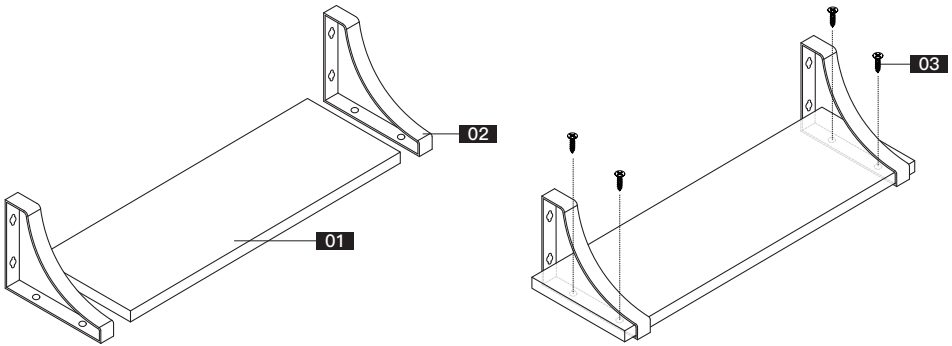
### **⚠ WARNING:**

- Plastic anchor is self drilling, however if you are having difficulty installing, simply use a 1/8 drill bit to drill a pilot hole for the anchor.
- Additional mounting hardware may be necessary for mounting on surfaces such like concrete or brick walls, this shelving package list is meant for drywall or wood studs mounting only.
- For drywall mounting, use plastic anchors first and then drill insert screws.
- For wood stud mounting, plastic anchors are not necessary, do not use them.

## Two Different Assembly Unique Display Forms

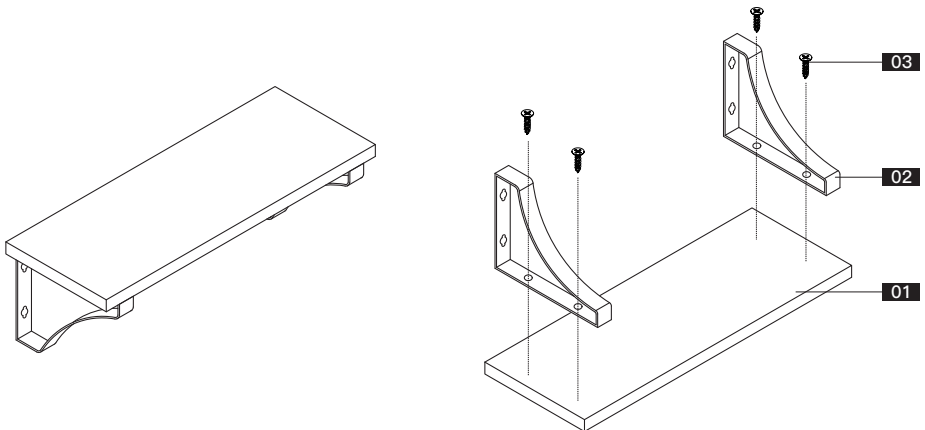
### Step 1A Attach the floating shelf on top of the brackets.

Drill two metal frames and one board together with four short screws.



### Step 1B Attach the floating shelf below of the brackets.

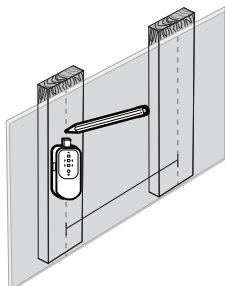
Drill two metal frames and one board together with four short screws.



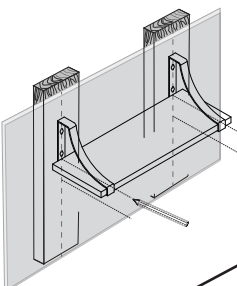
**Before installation, please identify your wall type.**

For wood stud wall installation, follow the step 2A.  
For drywall installation, follow the step 2B.

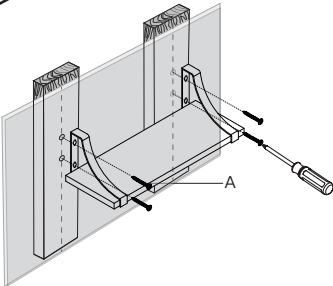
**Step 2A For Wood Stud Wall**



For wood stud wall, first of all, you should use a stud finder(not included) to locate wood studs. Mark the edge and center locations.



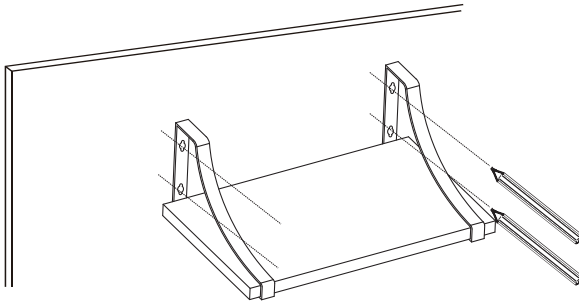
Before drilling into the wall, you should prepare some tools such as a level ruler to ensure that these holes are in a horizontal line. Position the metal frame with board at your desired height and line up the holes with your stud center line.



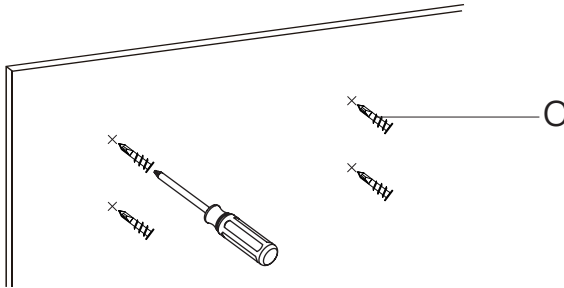
Install the metal frame with board using long lag bolts [A]. Tighten all lag bolts with the screwdriver(not included). If you feel a little hard, you can also use the electric drill machine only until the lag bolts [A] are pulled firmly against the metal frames with board.

**⚠ WARNING:**  
For wood stud mounting, plastic anchors are not necessary.

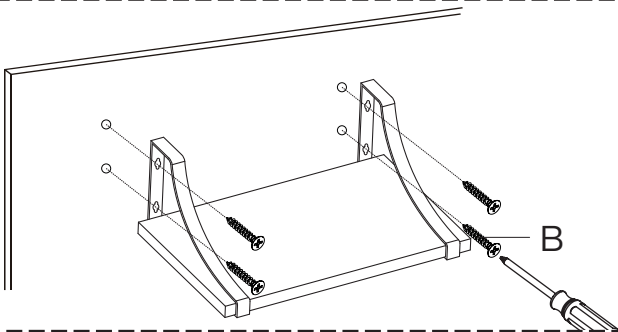
## Step 2B For Drywall



Before drilling into the wall, you should prepare some tools such as a level ruler to ensure that these holes are in a horizontal line. Position the metal frame with board at your desired height and make sure the metal frame with board is level and flush to the wall. Mark the holes for the plastic anchors[C].



Screw the plastic anchors[C] into the drywall and make sure that anchors become flush with the wall.



Install the metal frames with boards using long lag bolts[B]. Tighten all lag bolts with the screwdriver(not included). If you feel a little hard, you can also use the electric drill machine only until the lag bolts[B] are pulled firmly against the metal frames with board.



